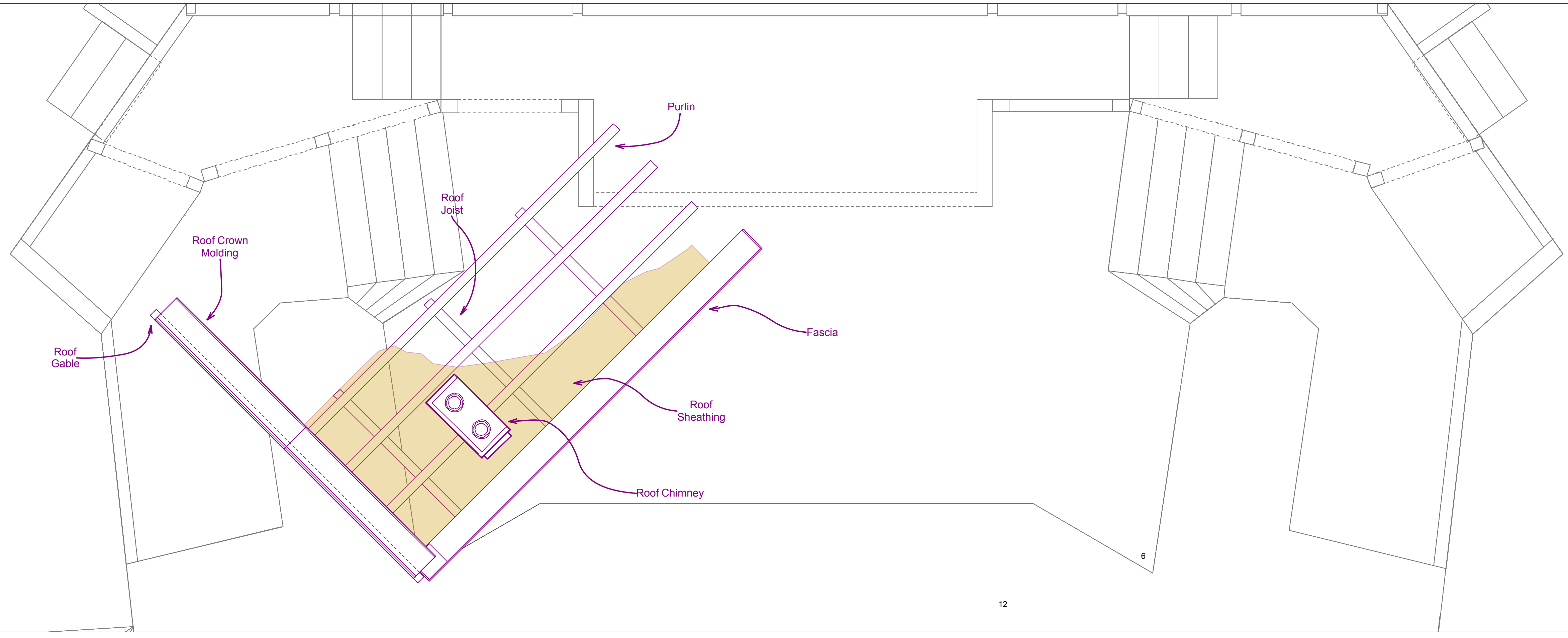
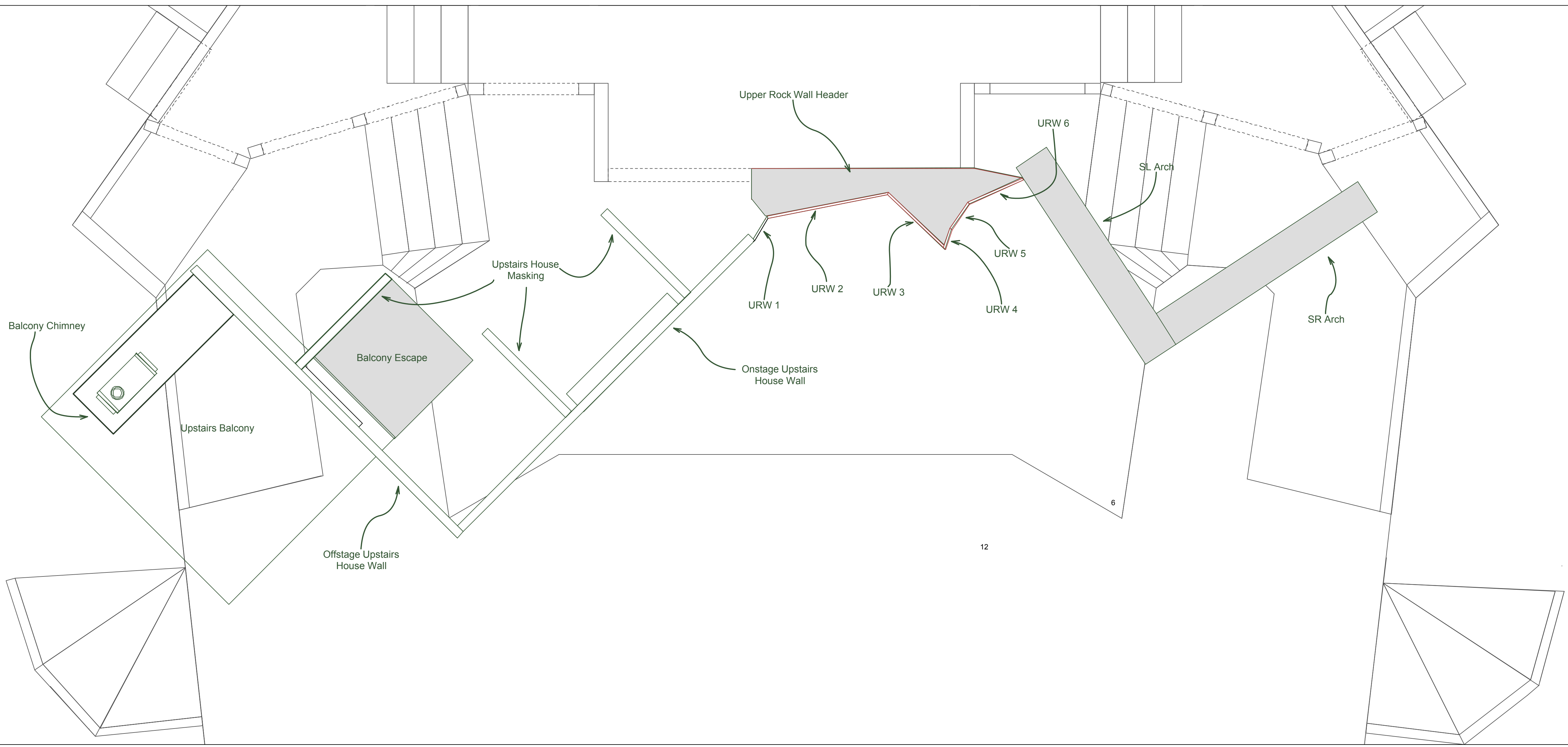


<b>Twelfth Night</b>	
<b>Kentucky Shakes</b>	
Title: Plan View- Overall	
Director: Brantley Dunaway	Designer: Jeff Kmiec
Prepared by: Will Griffith 502-314-8722	Date: 5/5/13
Scale: 3/8" = 1'	Sheet: <b>1</b>
Notes:	of <b>18</b>

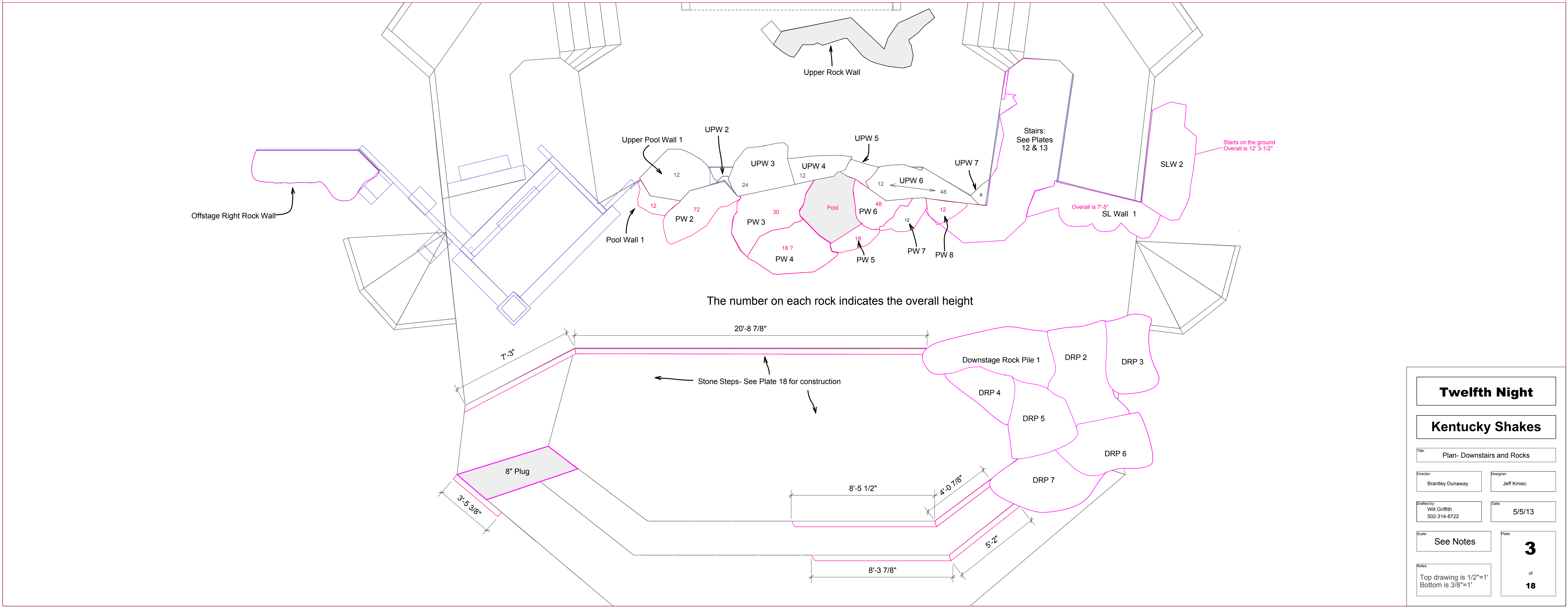
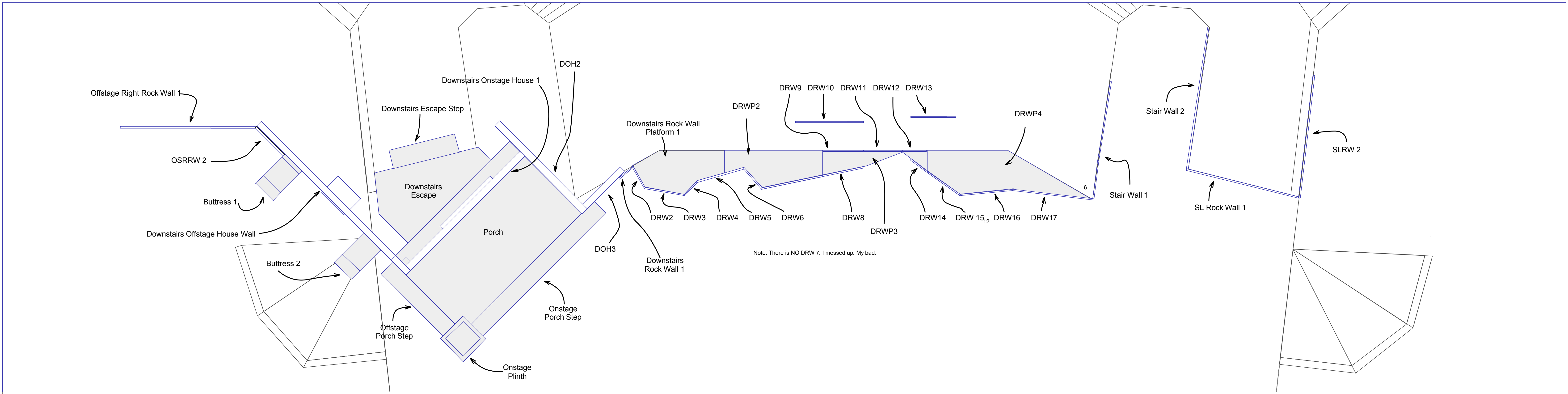


12

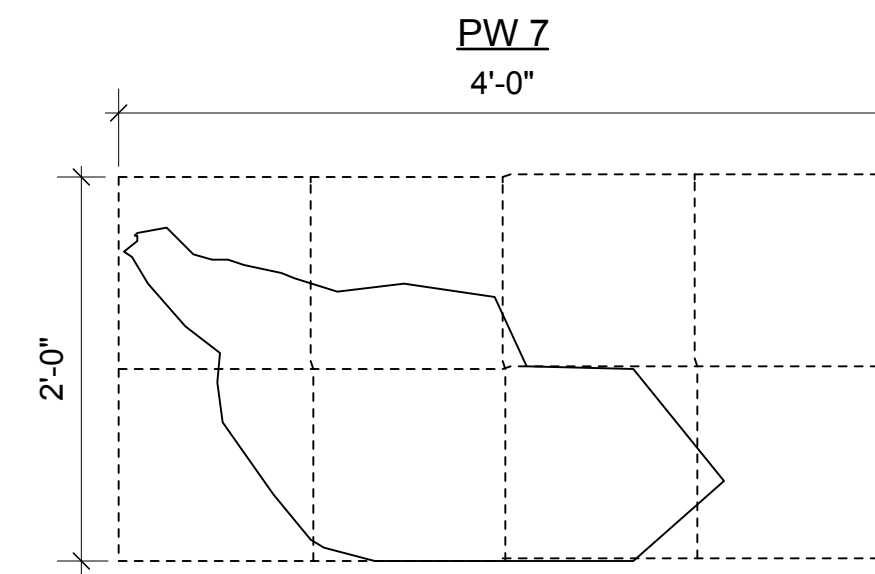
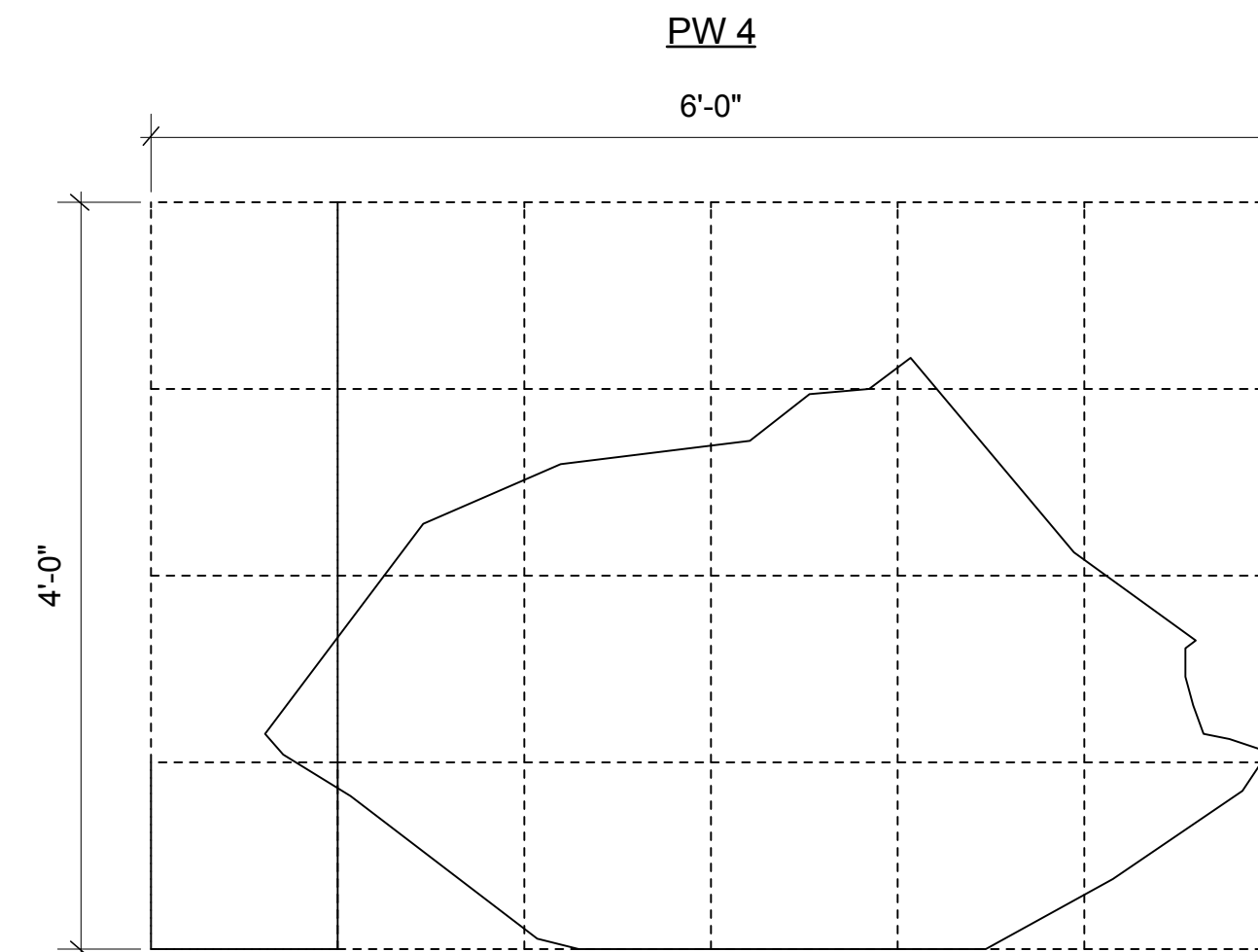
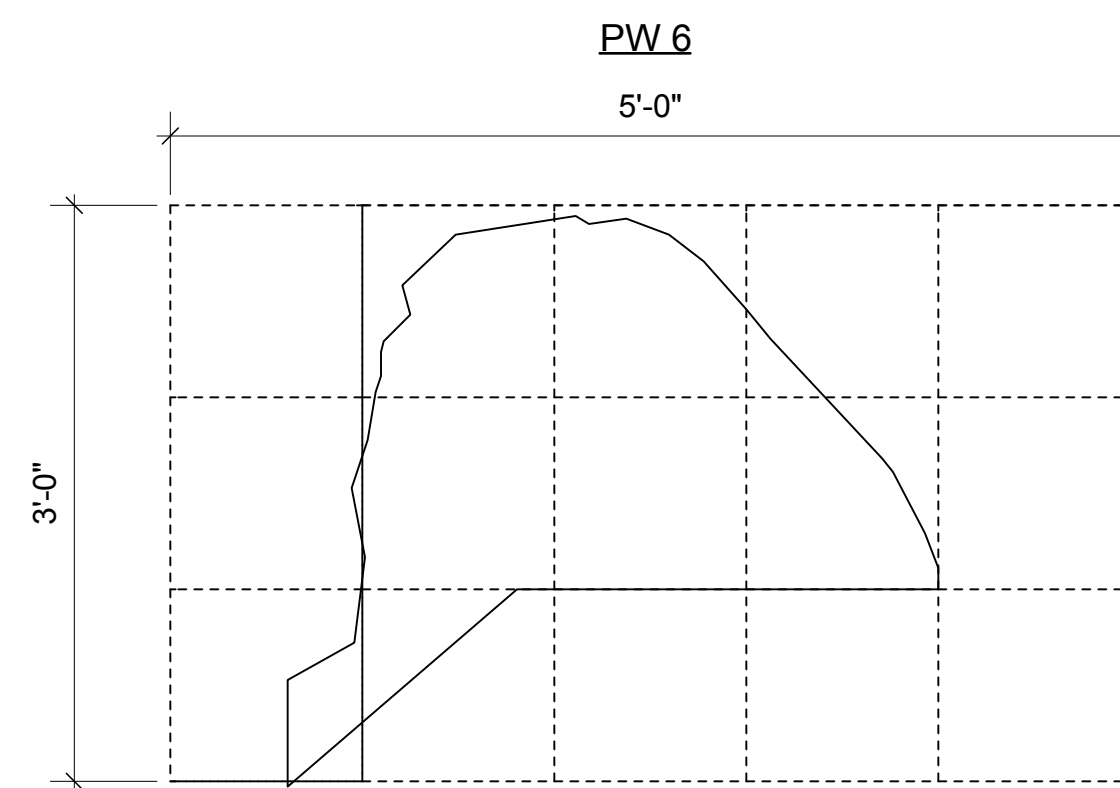
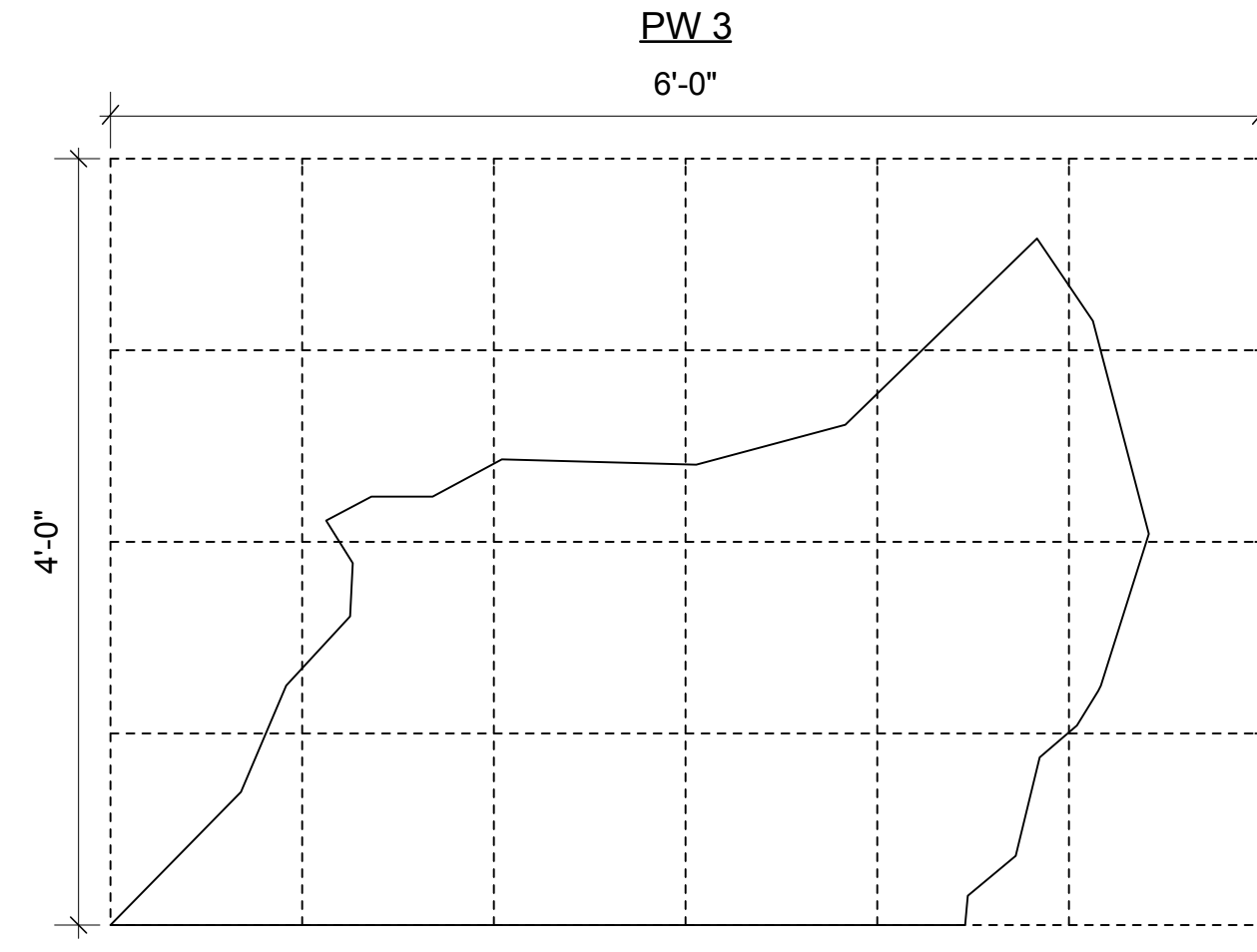
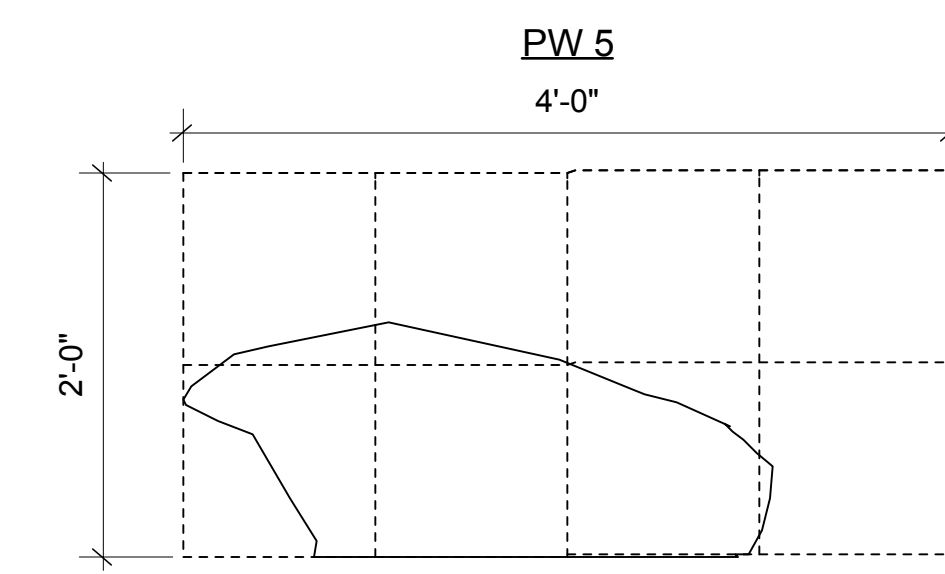
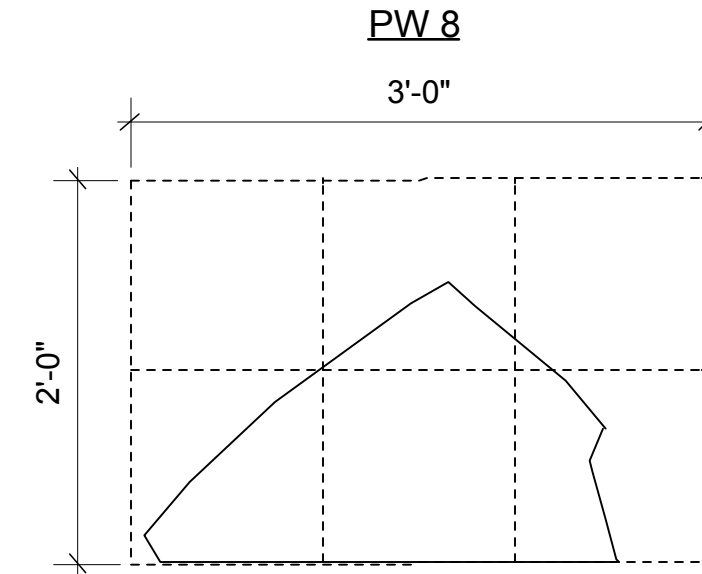
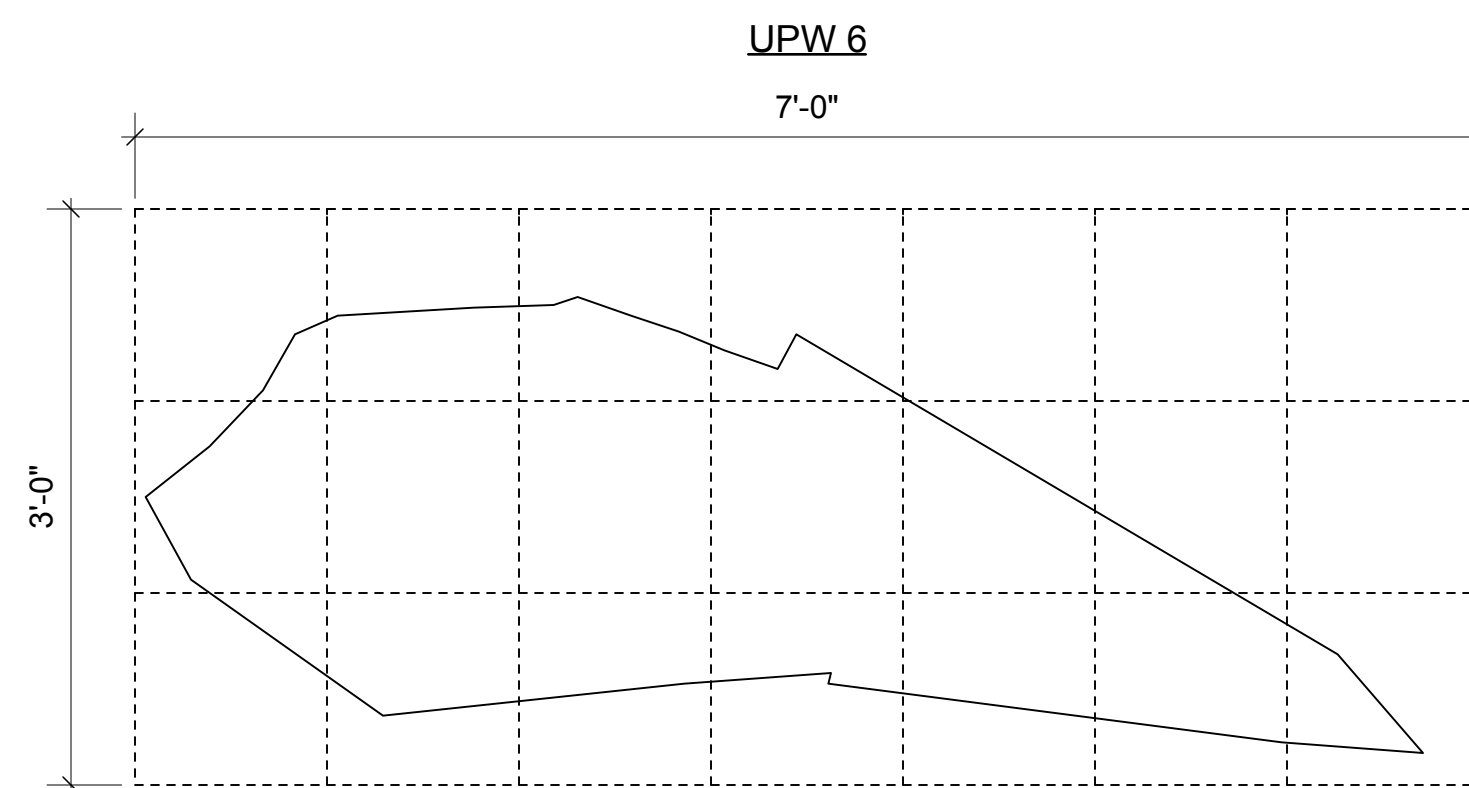
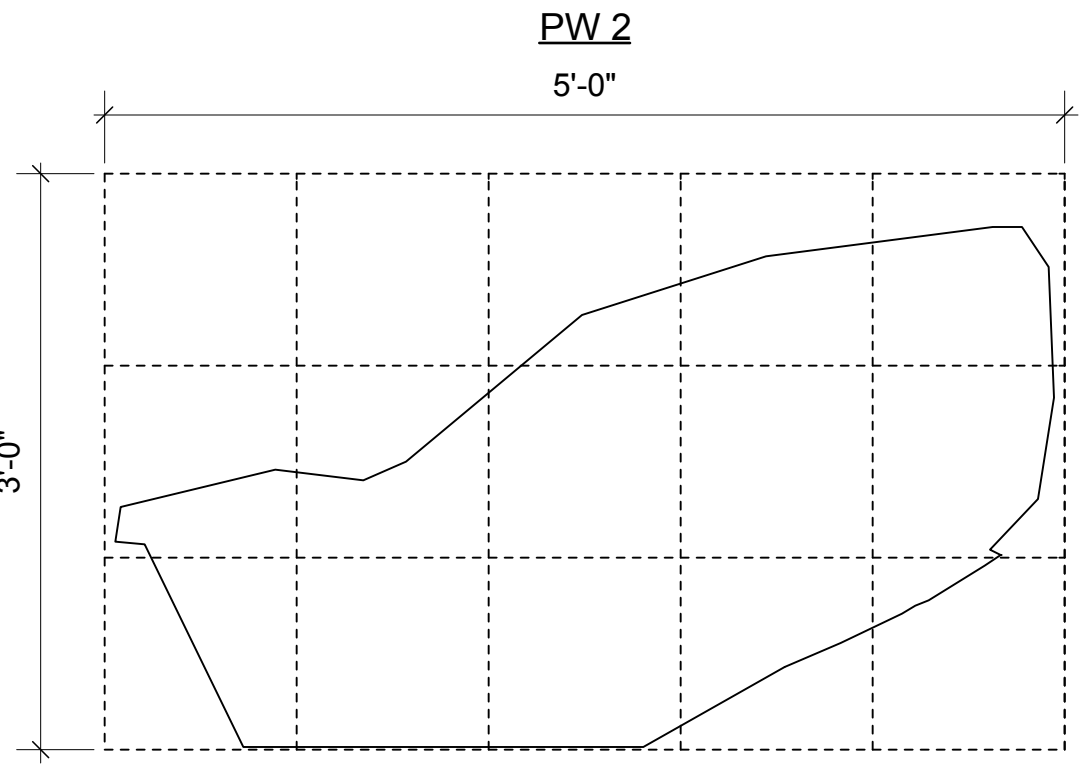
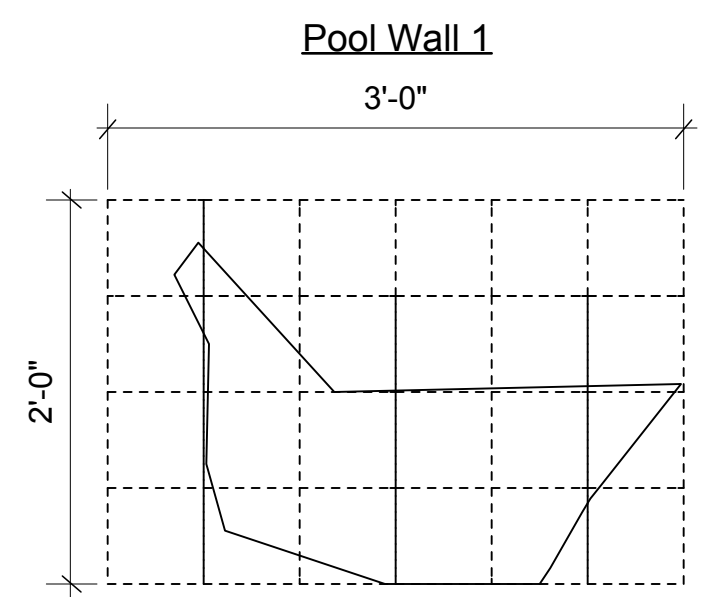
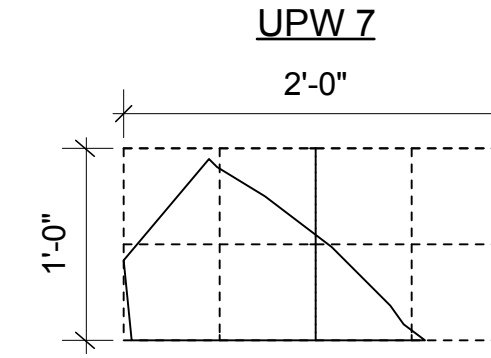
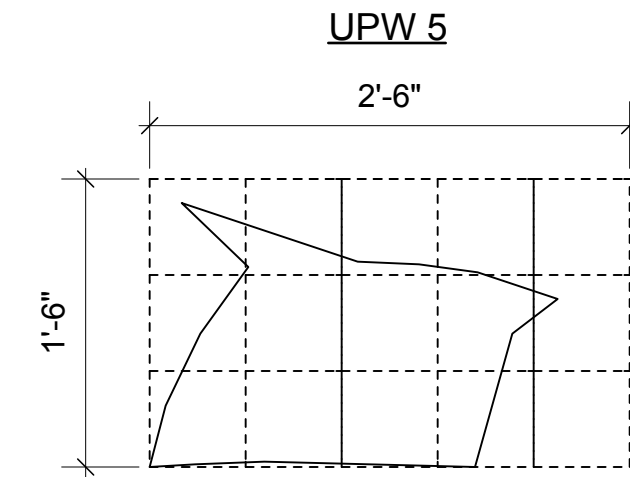
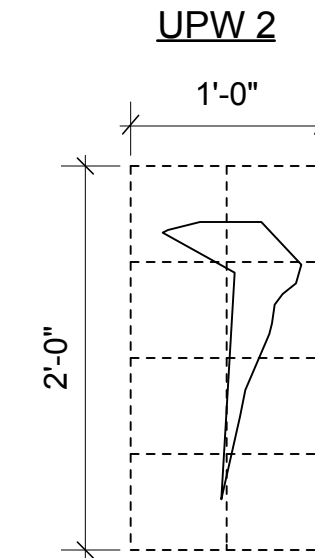
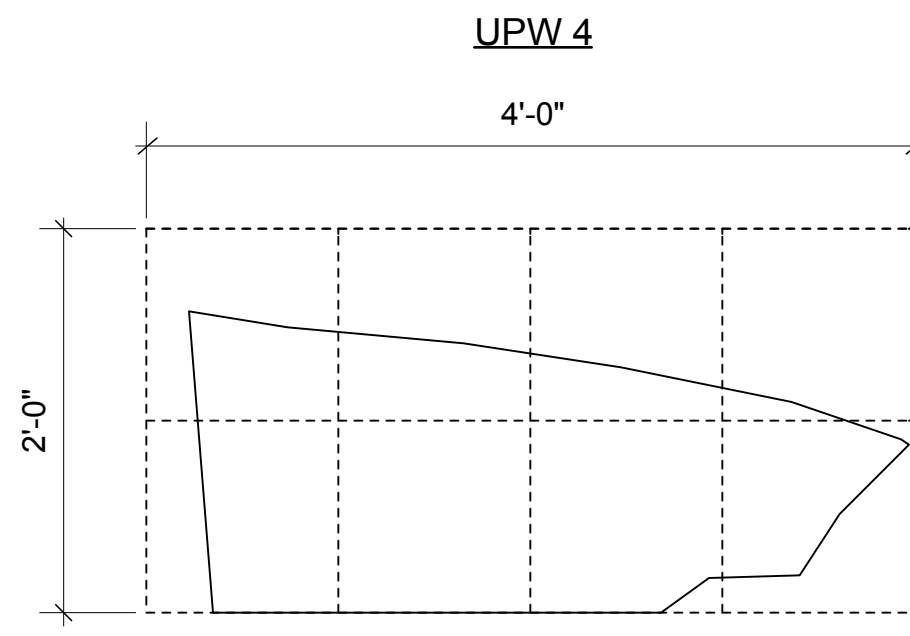
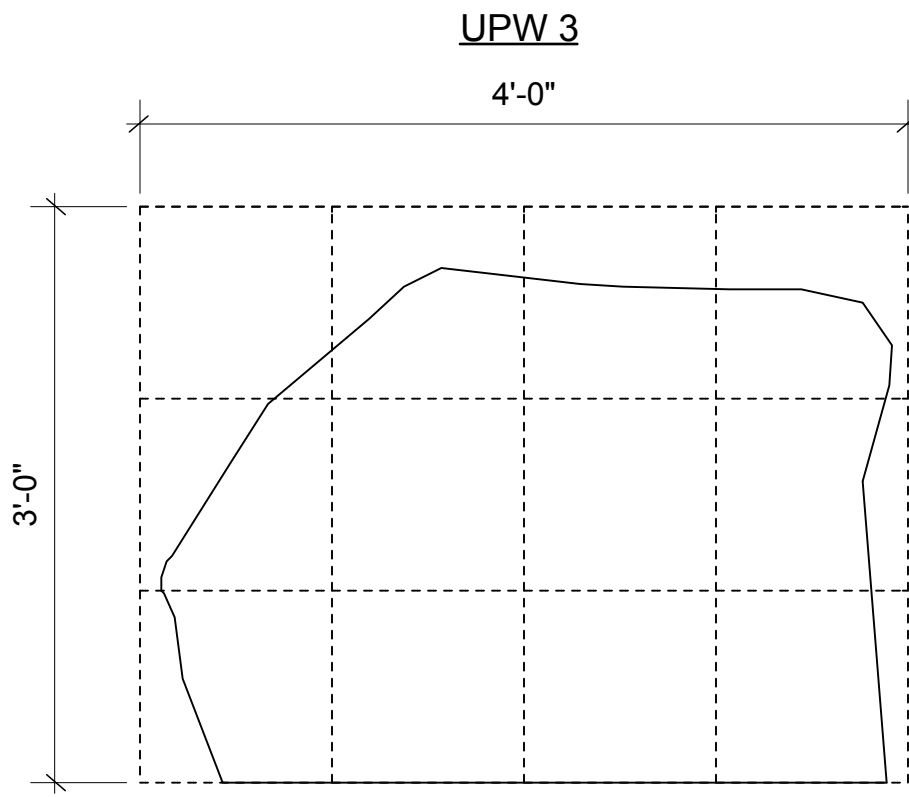
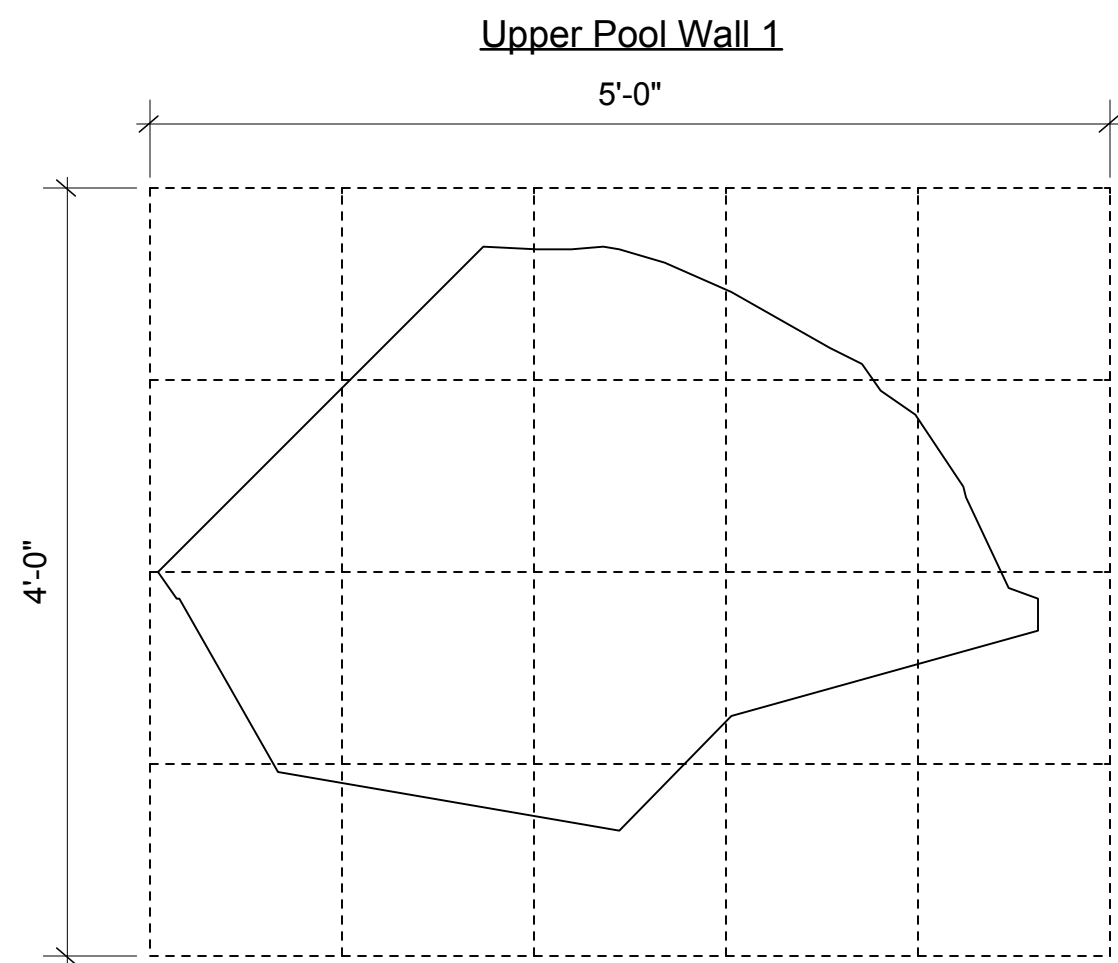
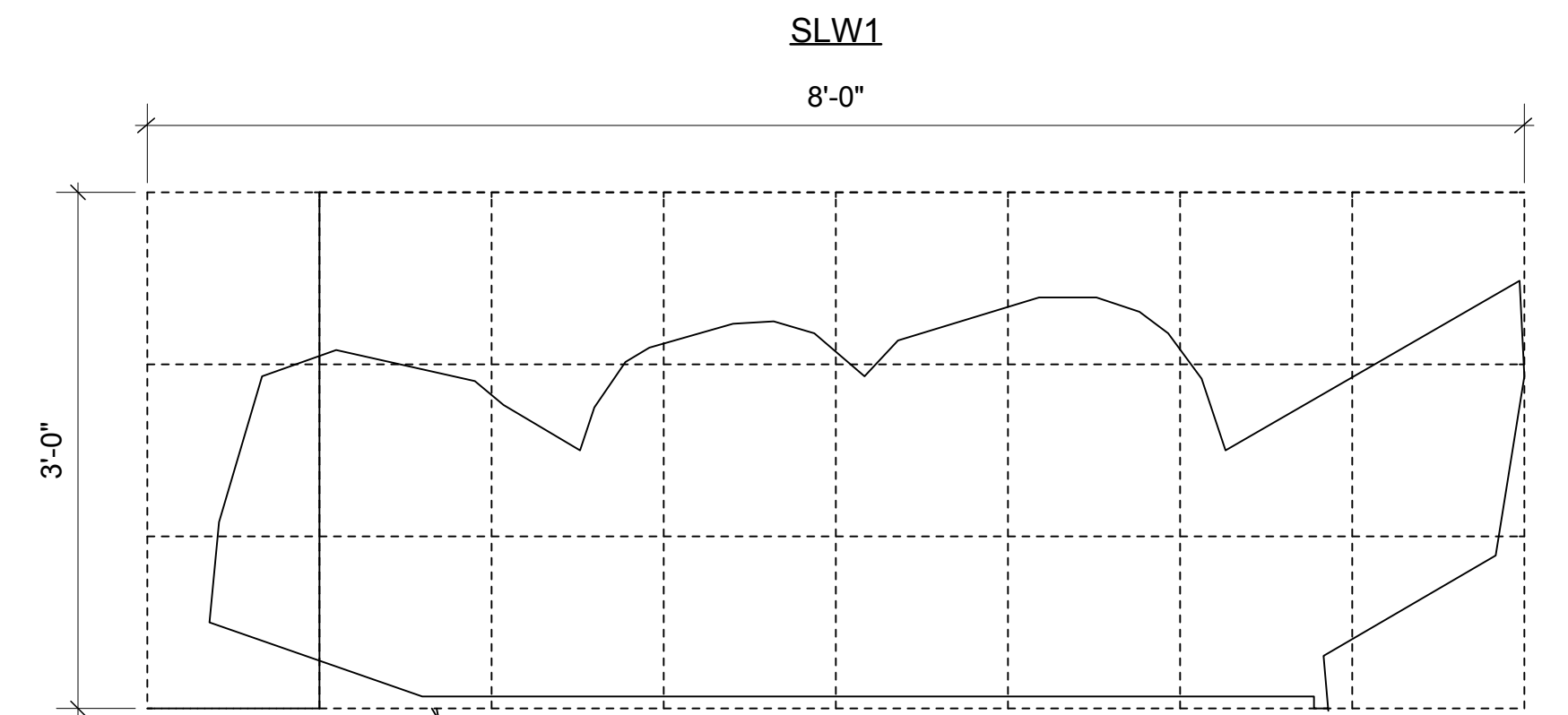
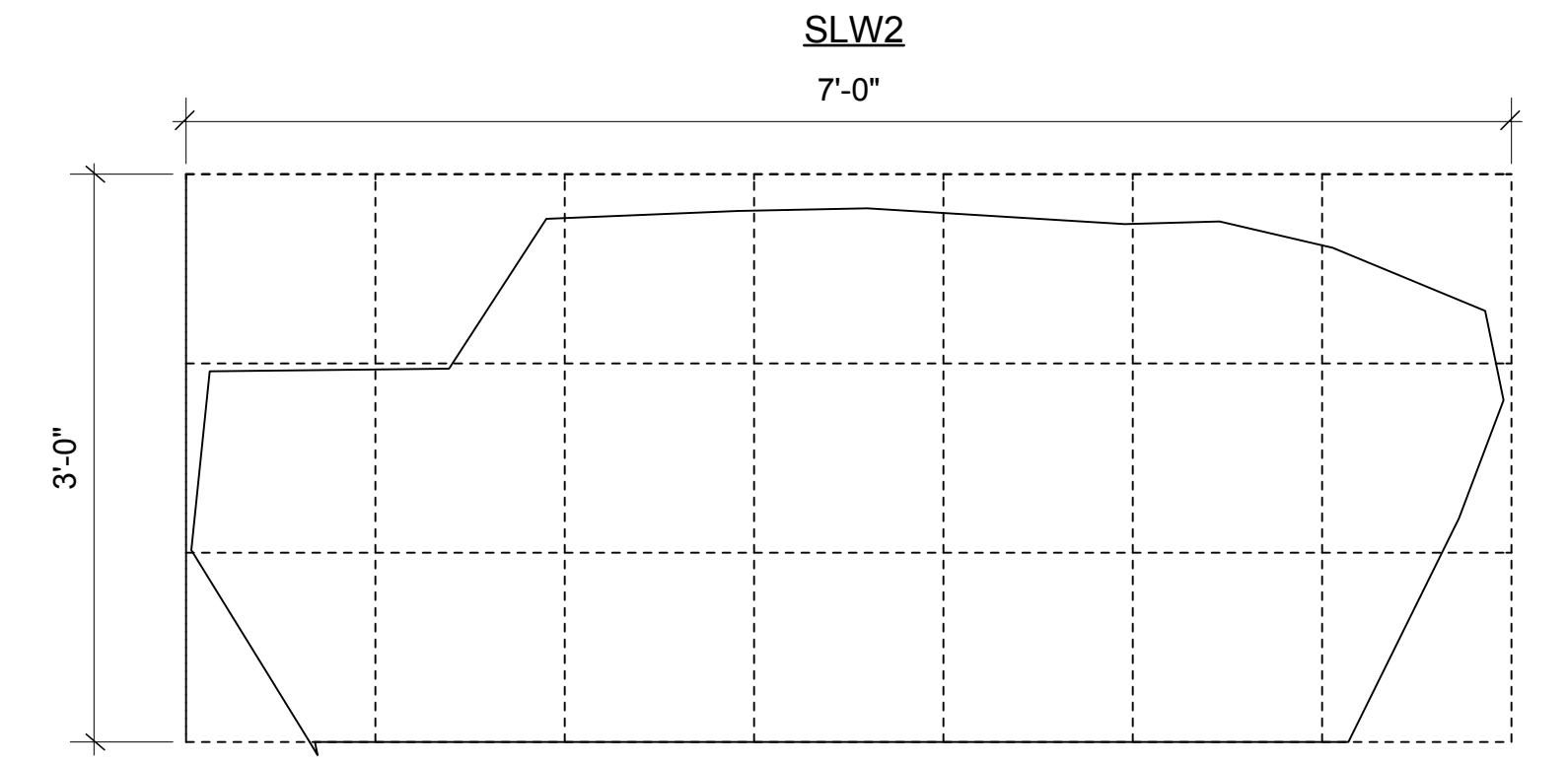
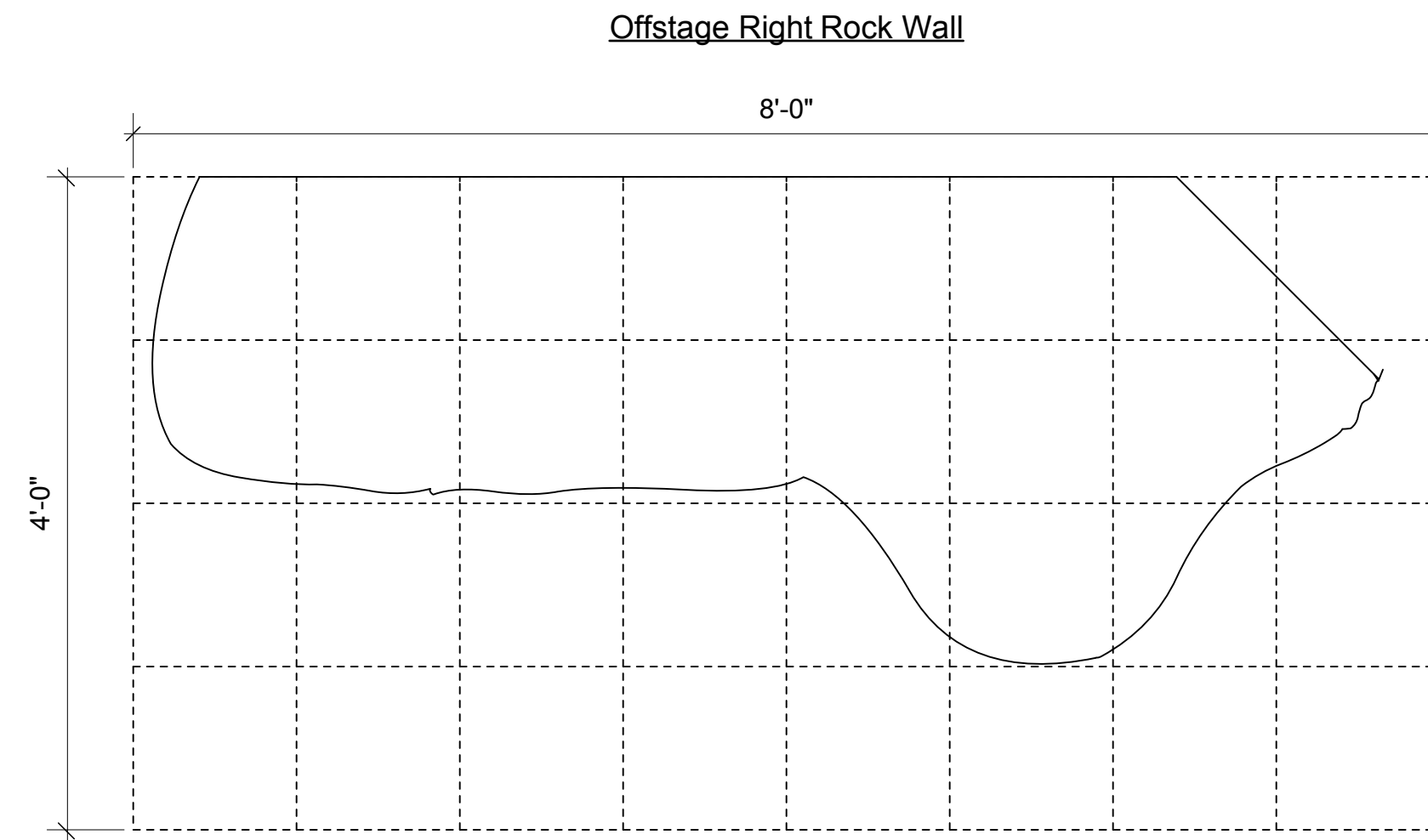
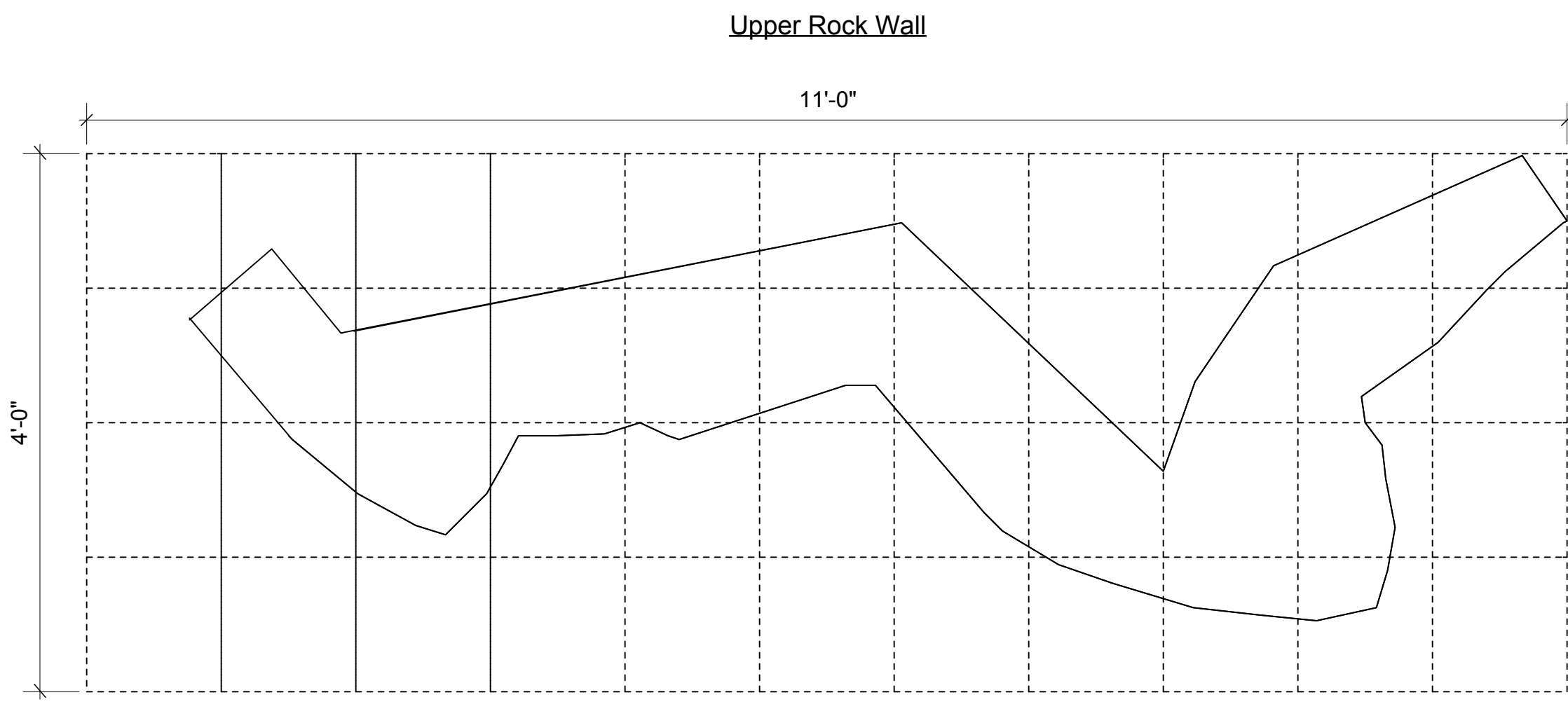


12

<b>Twelfth Night</b>	
<b>Kentucky Shakes</b>	
Title: Plan- Roof and Upstairs	
Director: Brantley Dunaway	Designer: Jeff Kmiec
Prepared by: Will Griffith 502-314-8722	Date: 5/5/13
Scale: 1/2" = 1'	Page: <b>2</b> of <b>18</b>
Notes	



<b>Twelfth Night</b>	
<b>Kentucky Shakes</b>	
Title: Plan- Downstairs and Rocks	
Director: Brantley Dunaway	Designer: Jeff Kmiec
Prepared by: Will Griffith 502-314-8722	Date: 5/5/13
Scale: See Notes	Plate: <b>3</b>
Notes: Top drawing is 1/2"=1' Bottom is 3/8"=1'	of <b>18</b>



**Twelfth Night**  
**Kentucky Shakes**

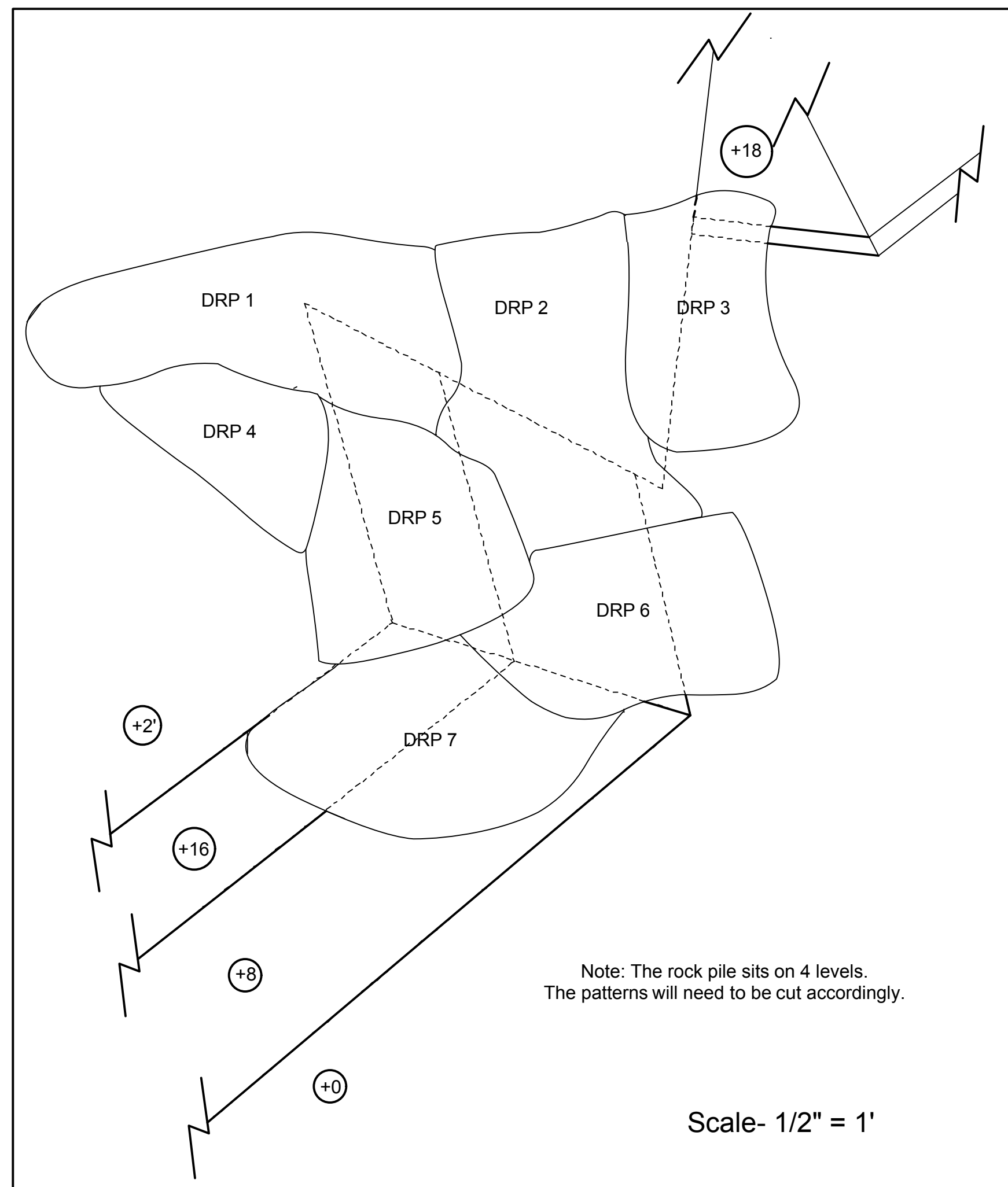
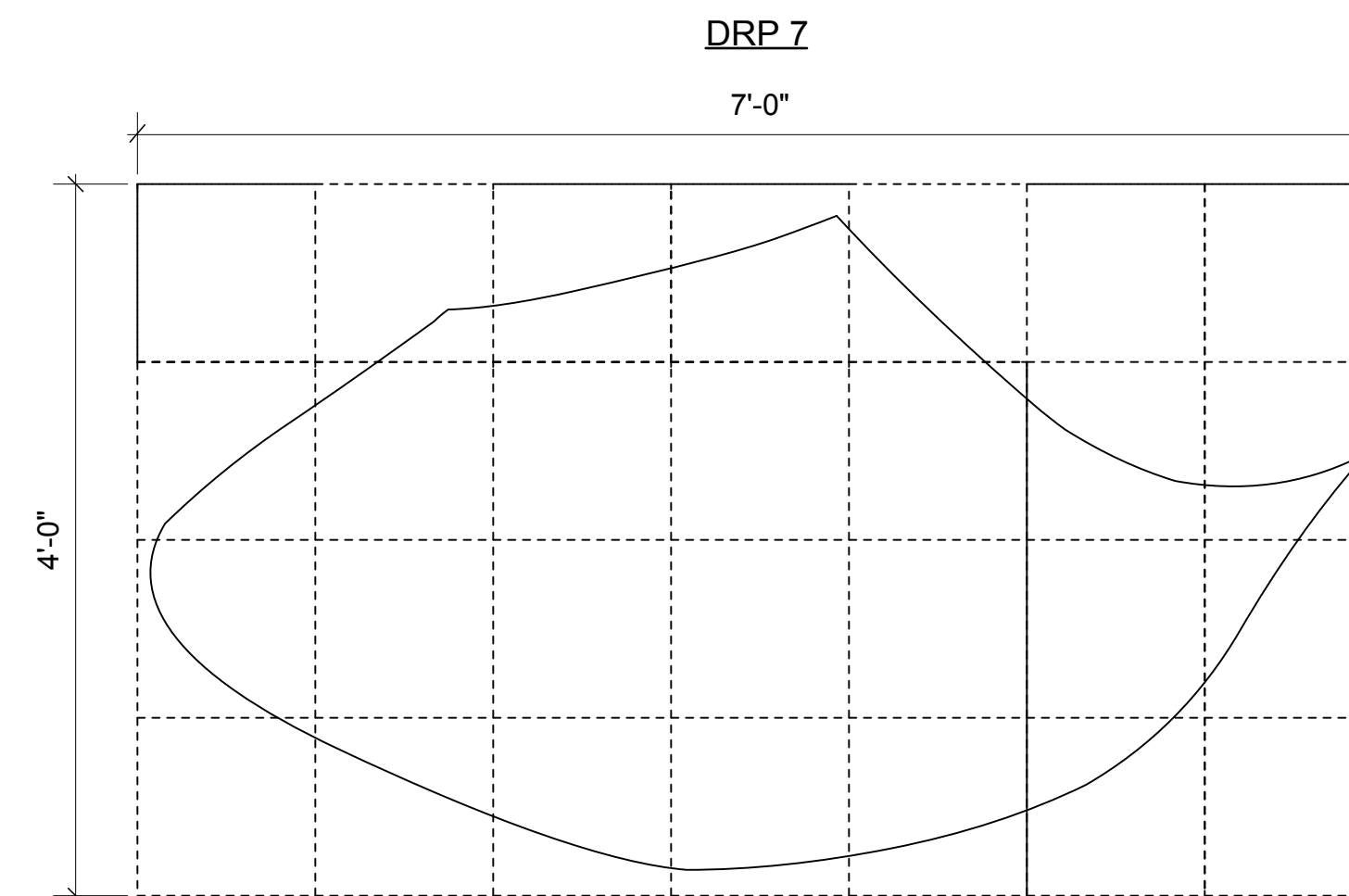
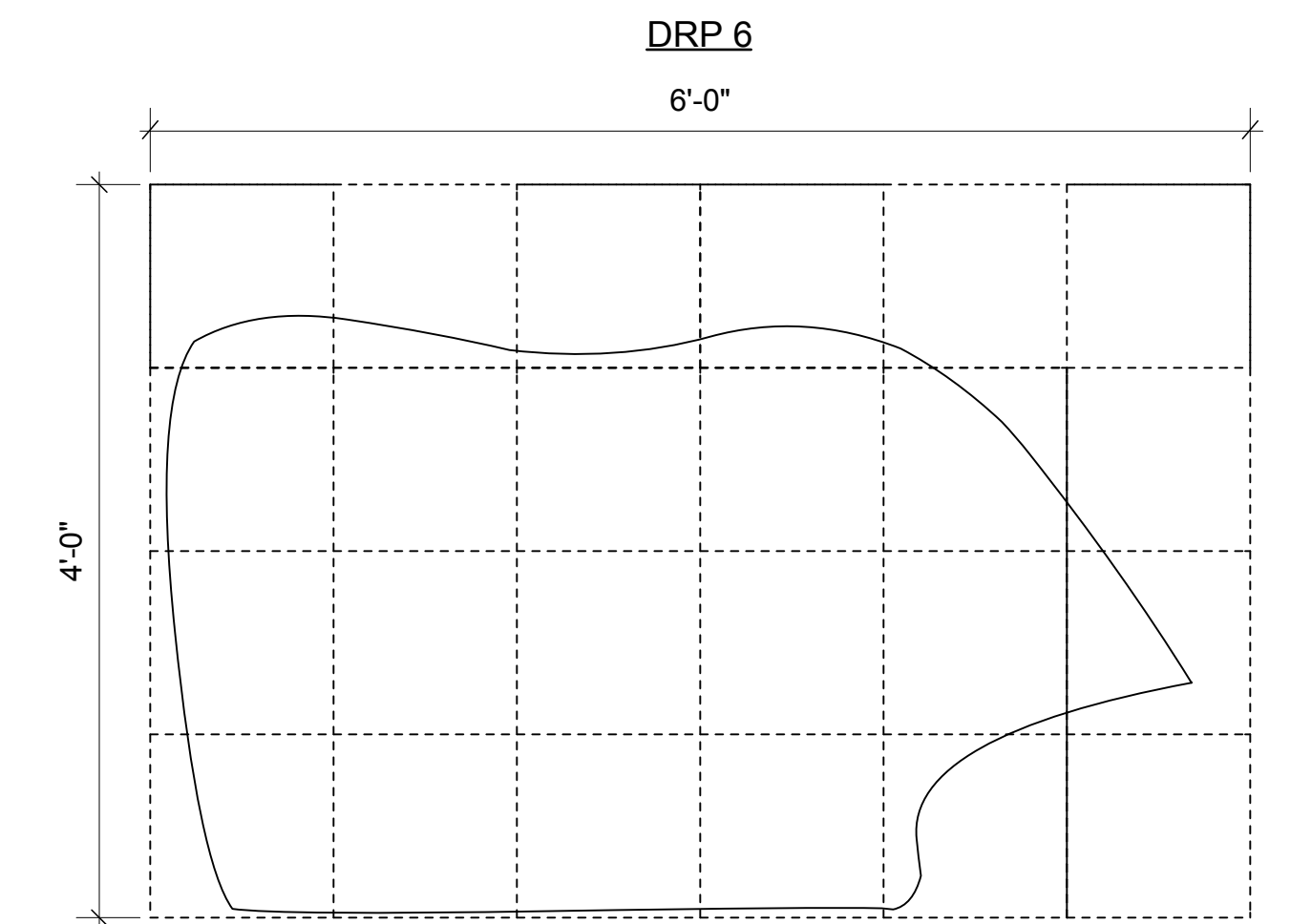
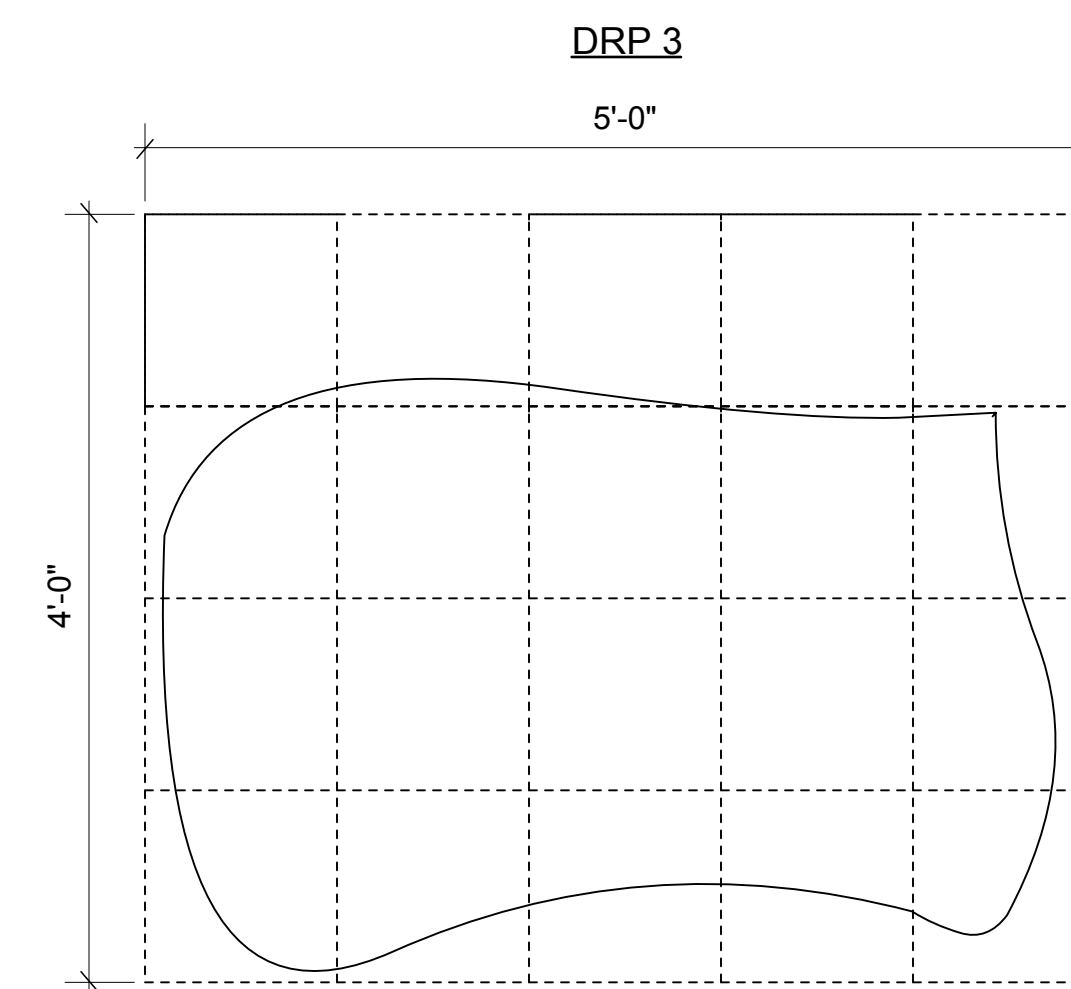
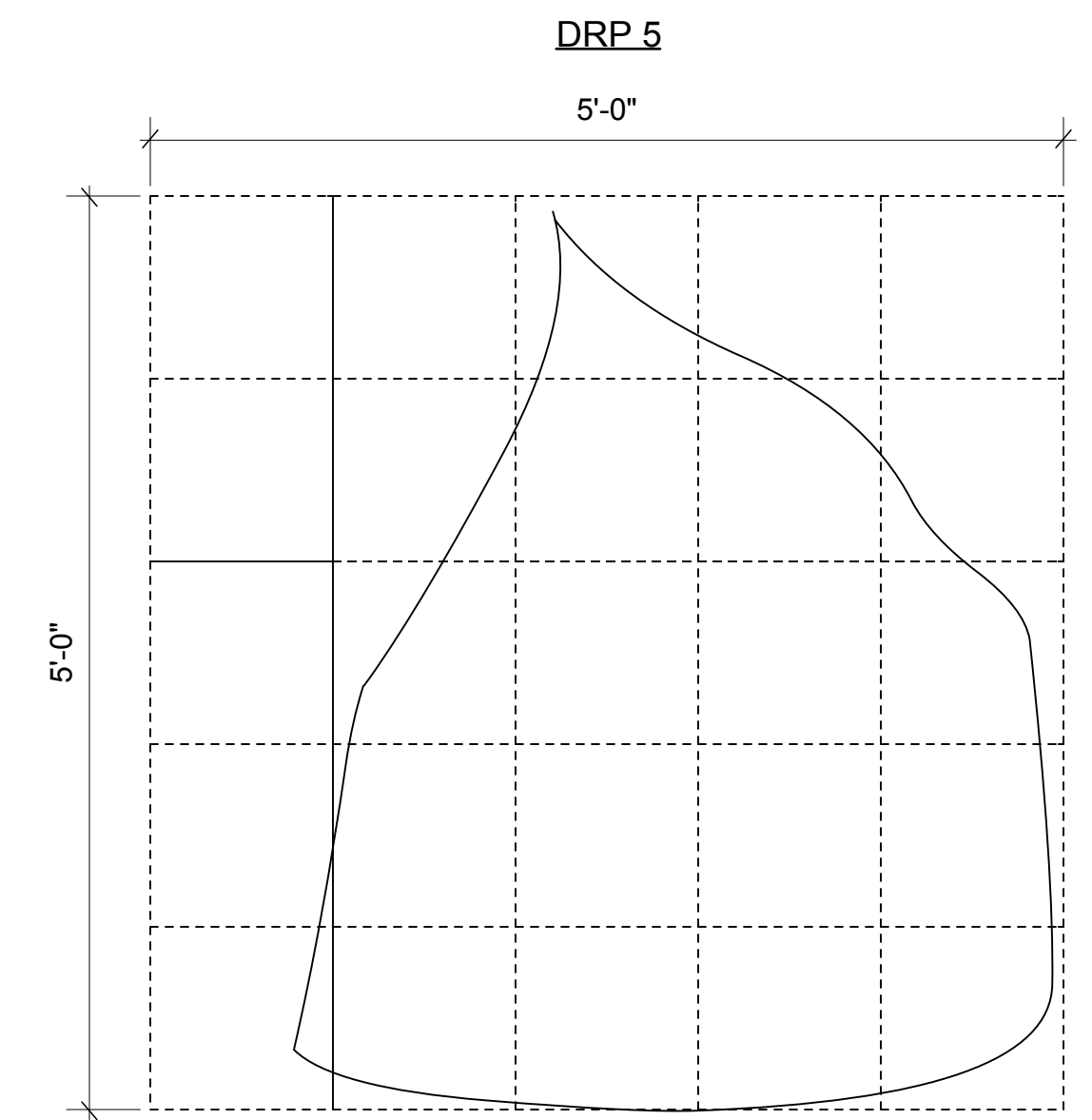
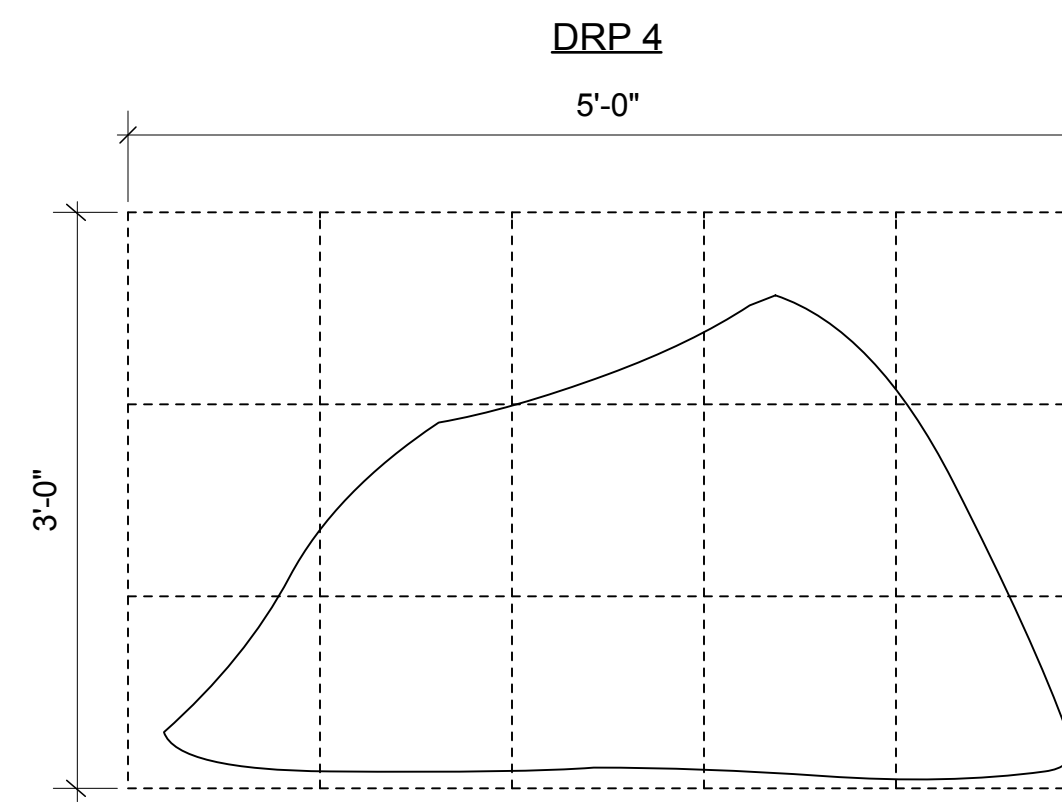
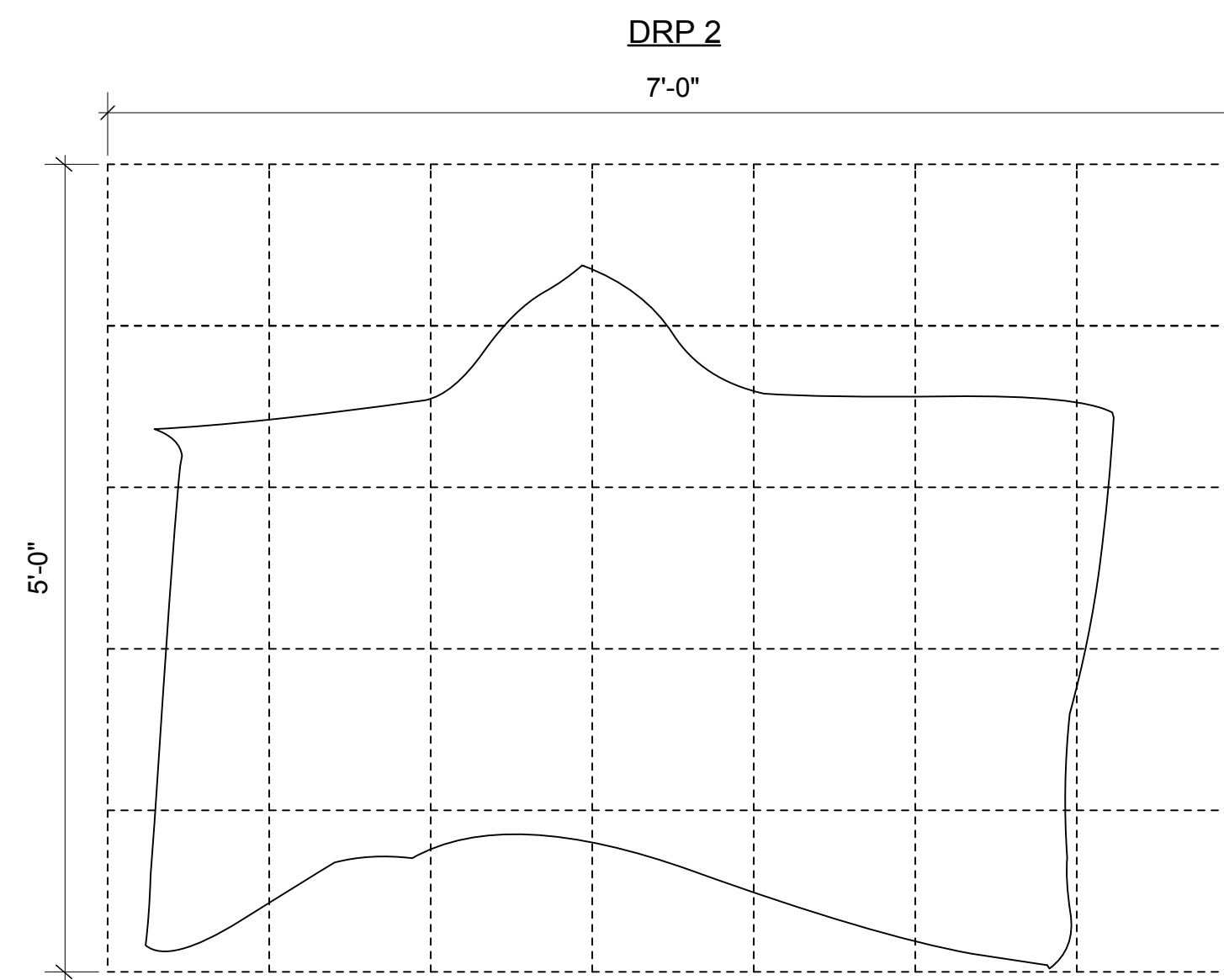
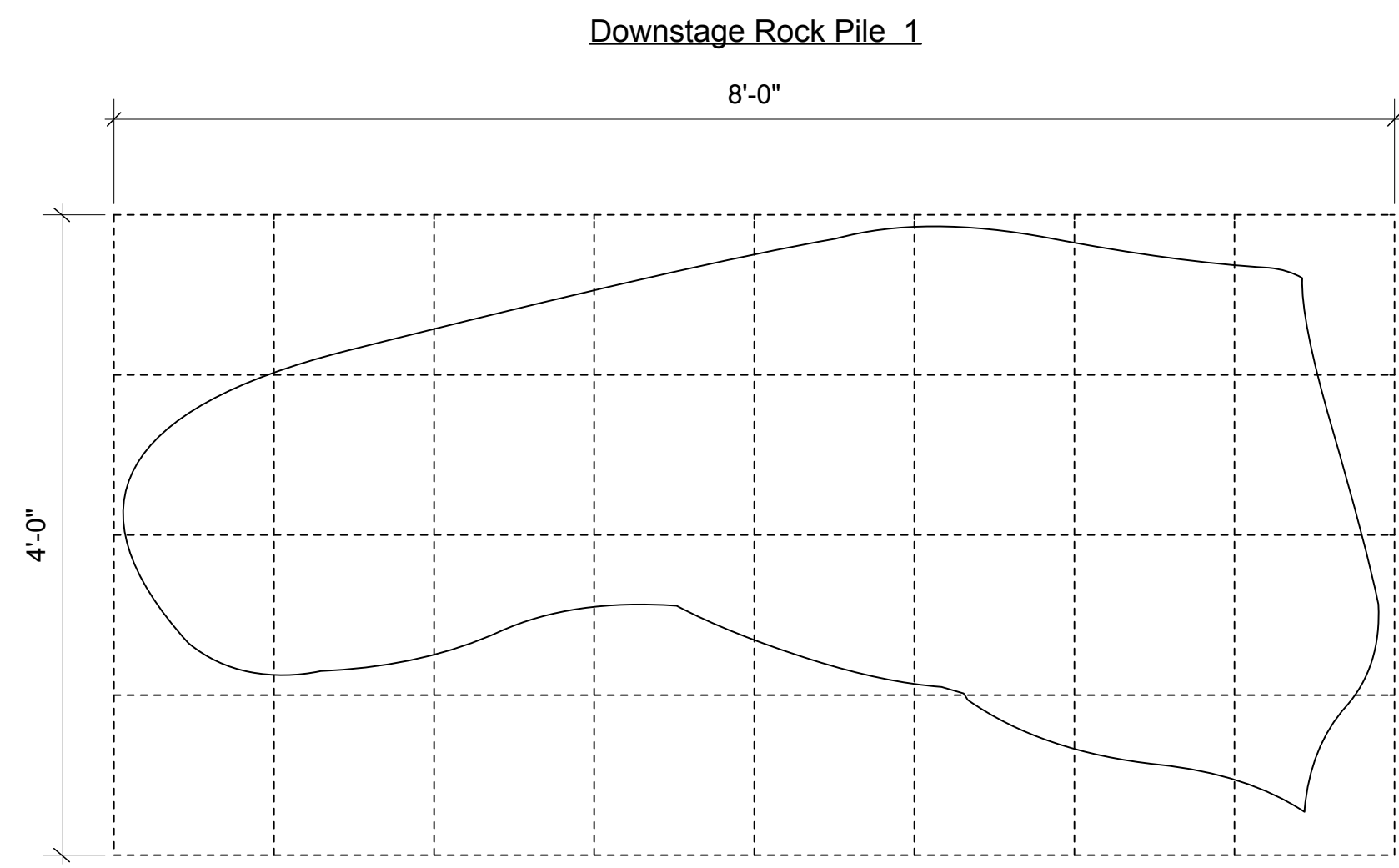
Title: Upstairs and Pool Rocks

Director: Brantley Dunaway Designer: Jeff Kmiec

Prepared by: Will Griffith 502-314-8722 Date: 5/5/13

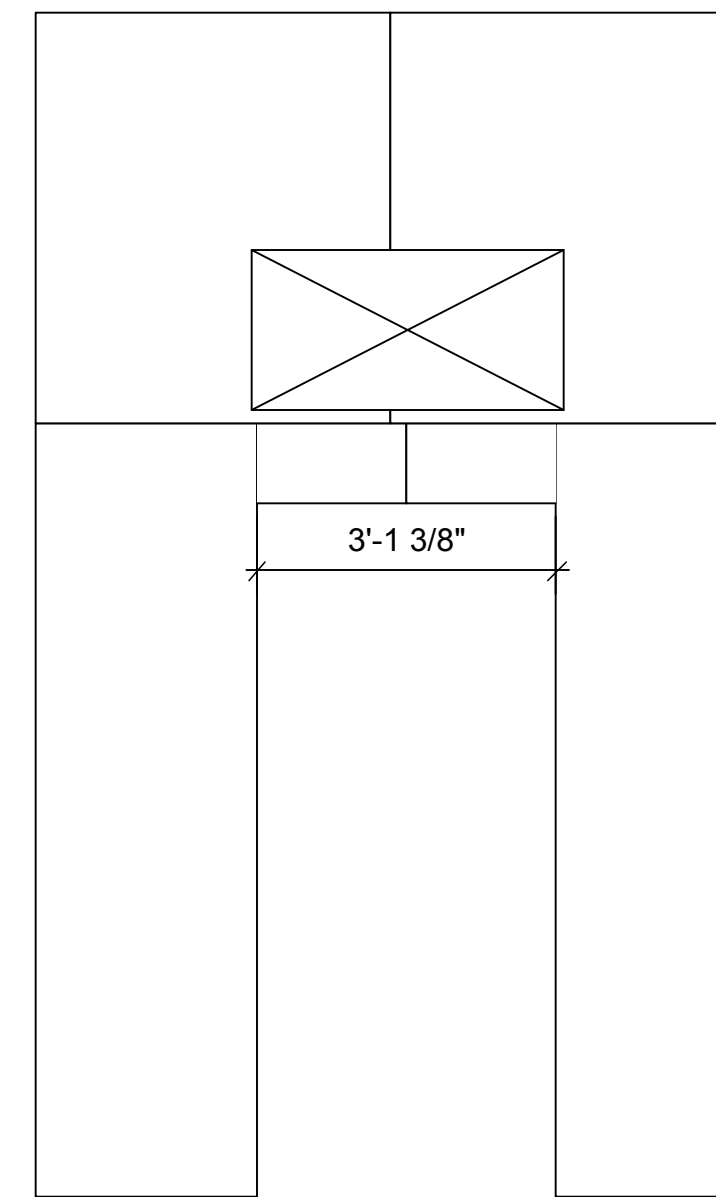
Scale: 1" = 1" Plate: **4** of 18

Notes:

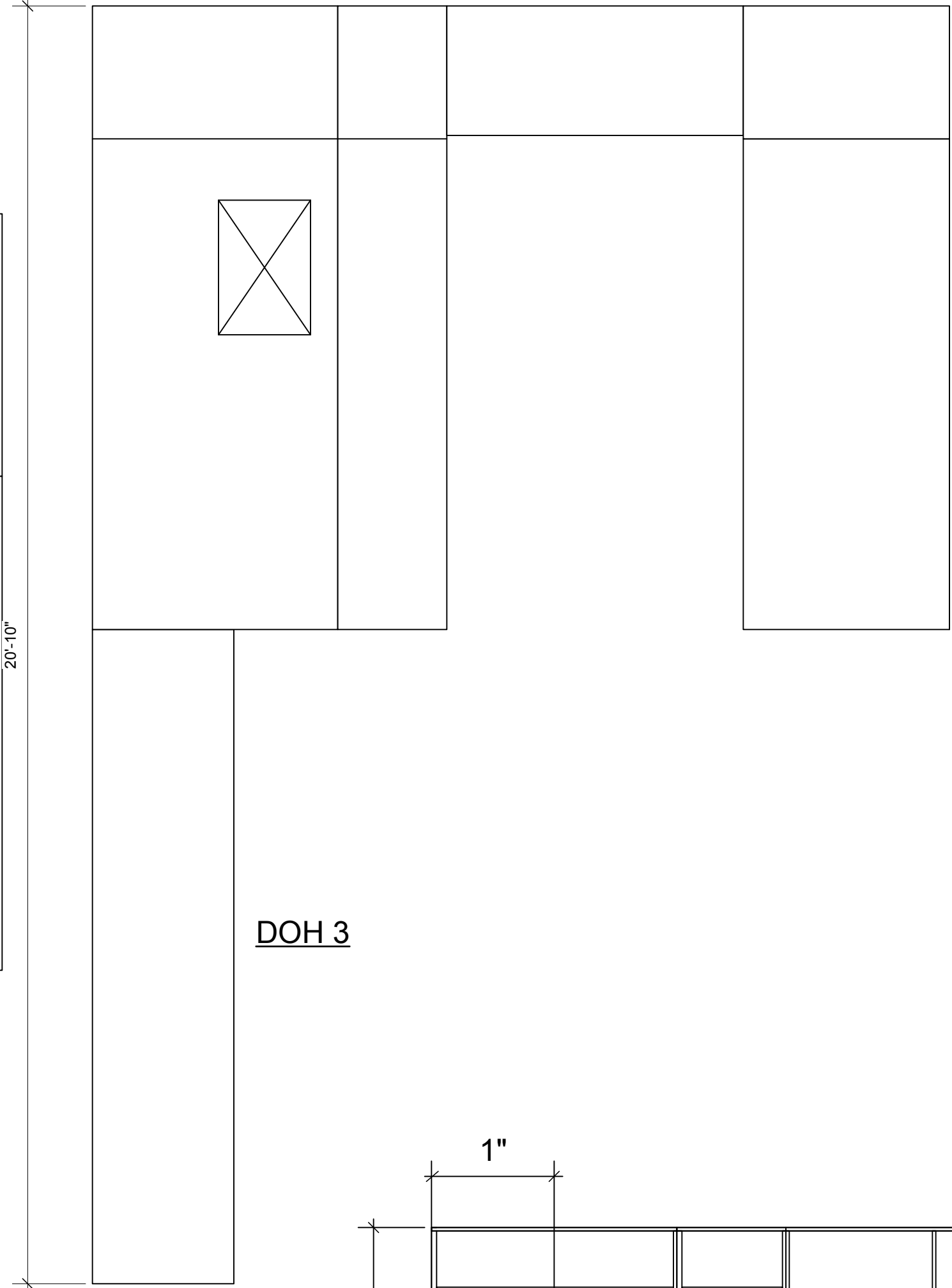


<b>Twelfth Night</b>	
<b>Kentucky Shakes</b>	
Title: Downstage Rock Pile	
Director: Brantley Dunaway	Designer: Jeff Kmiec
Prepared by: Will Griffith 502-314-8722	Date: 5/5/13
Scale: 1" = 1' or as noted	Page: <b>5</b>
Notes:	of <b>18</b>

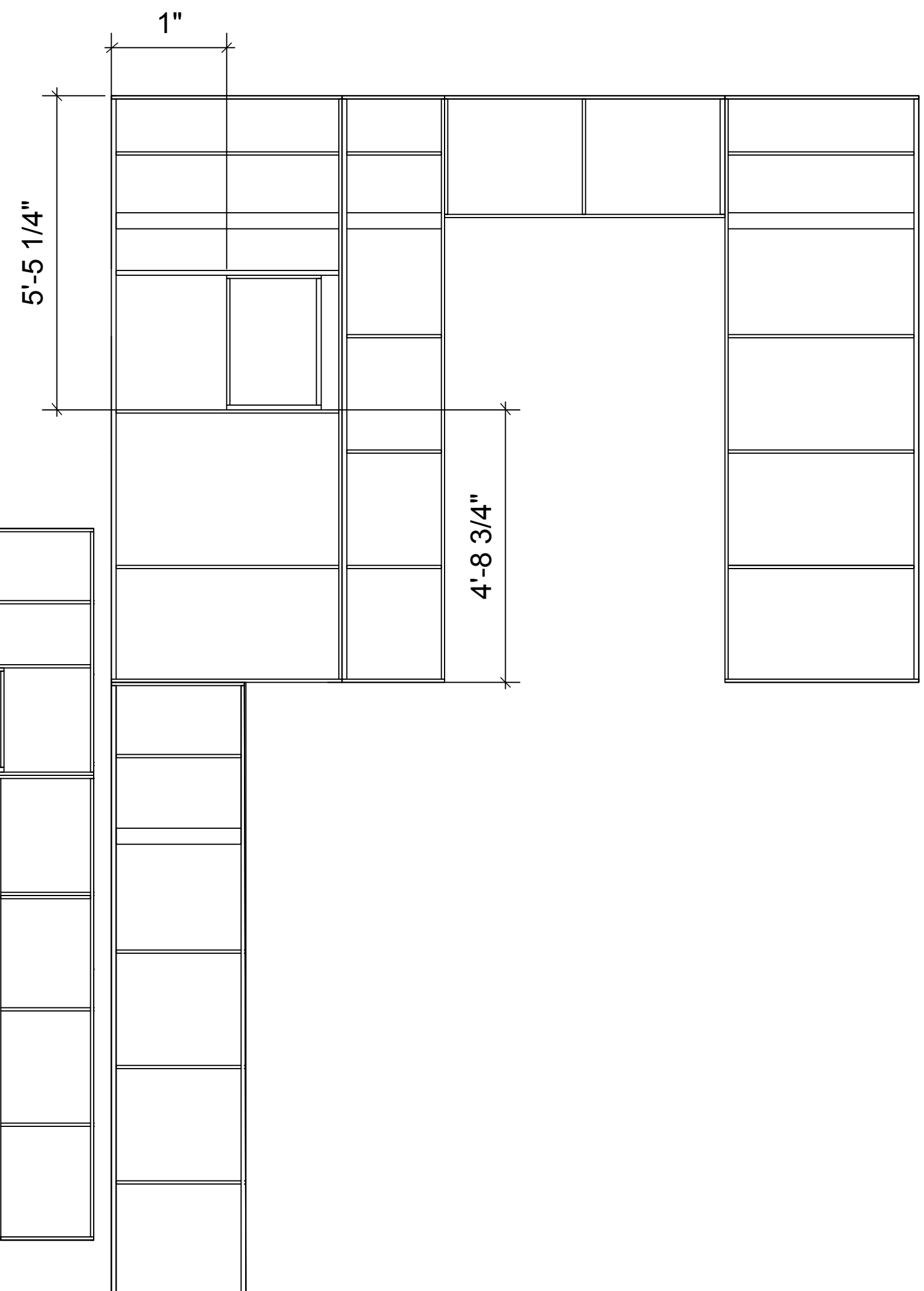
Downstairs Onstage House 1



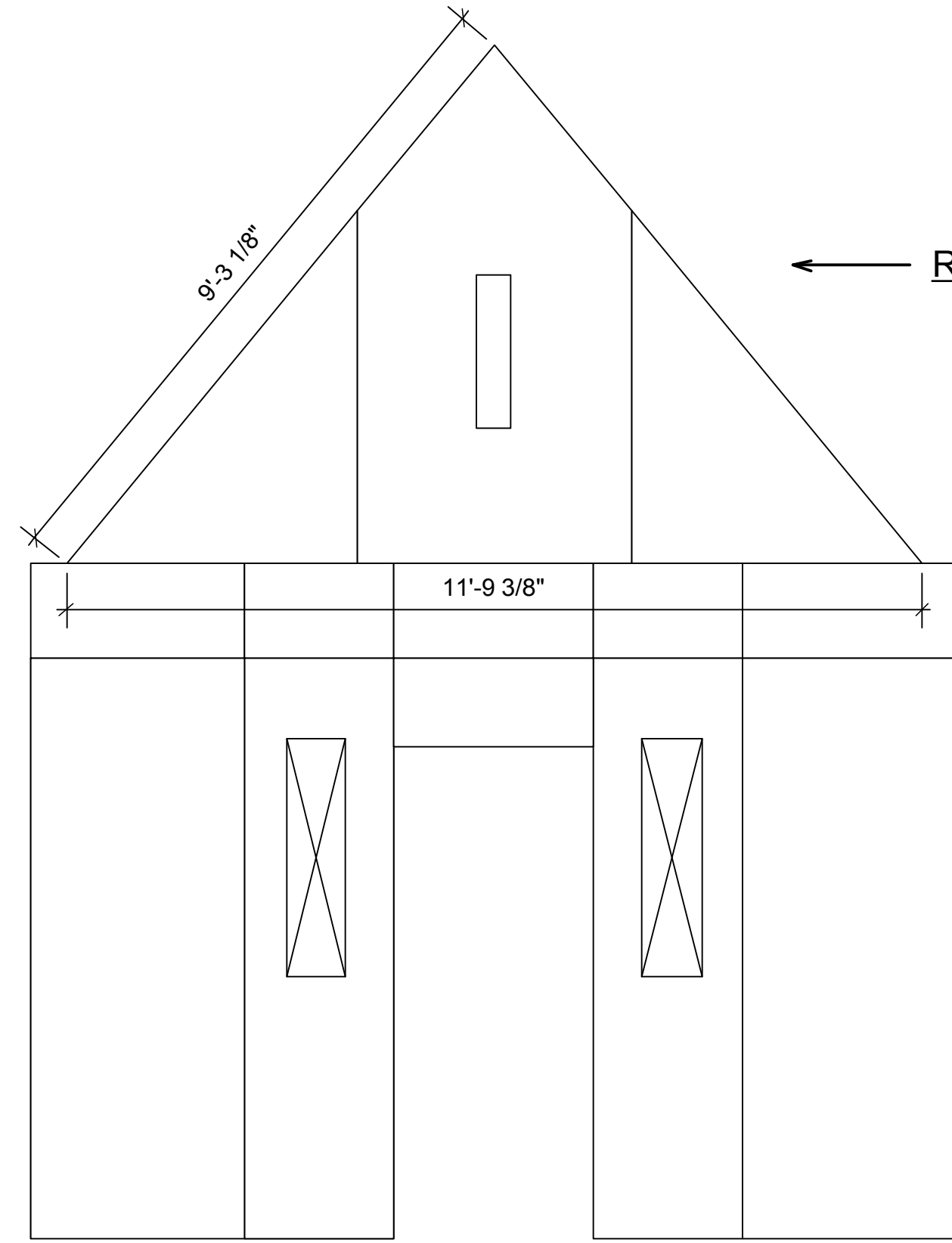
On Stage Upstage House Wall



DOH 3

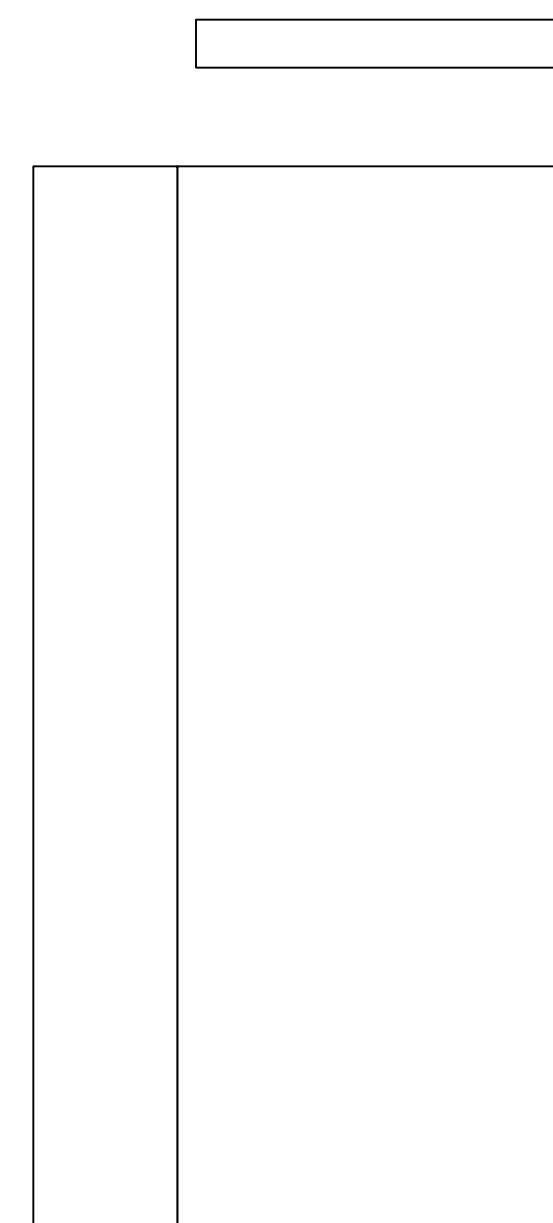


LB

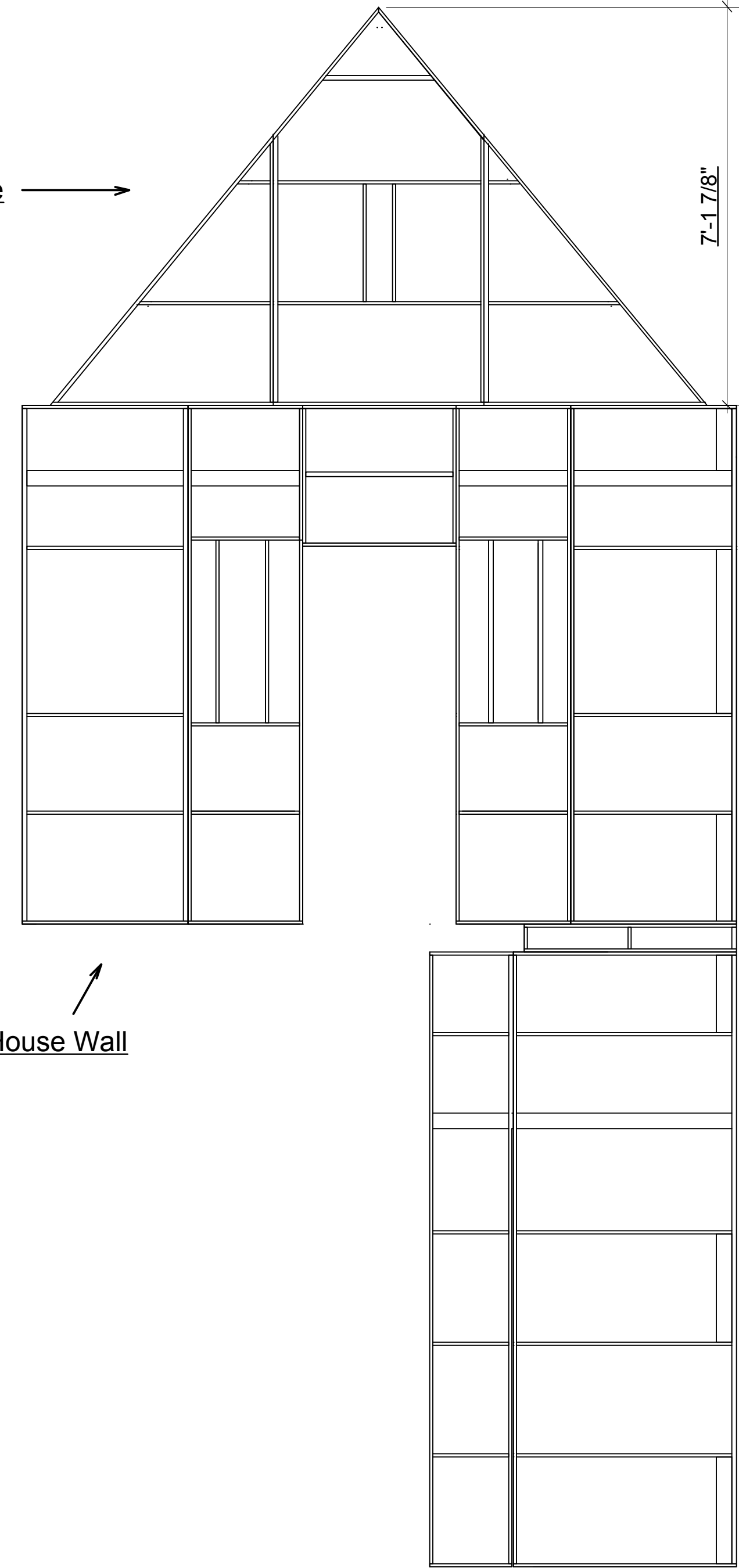


Roof Gable

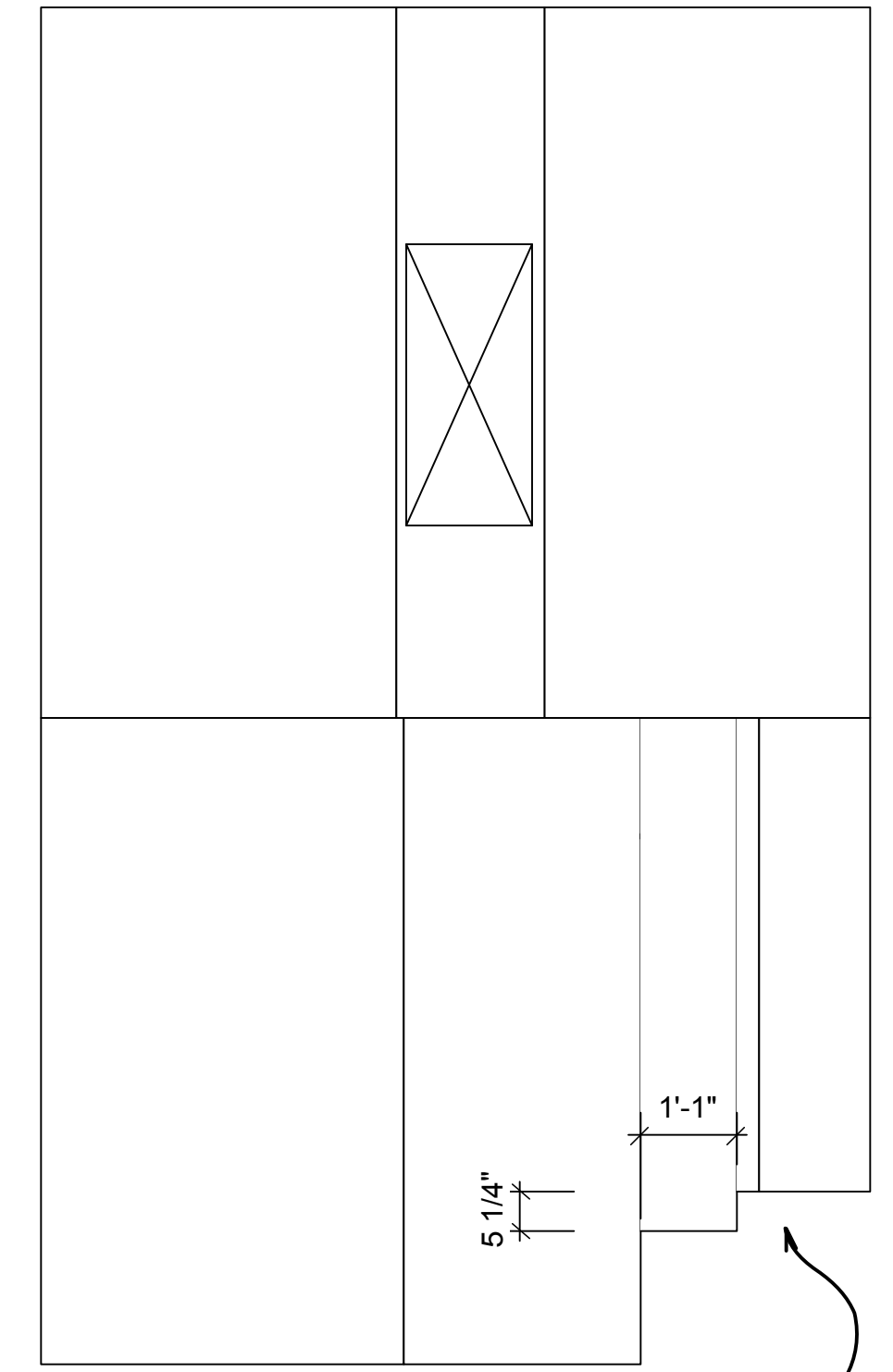
Off stage Upstairs House Wall



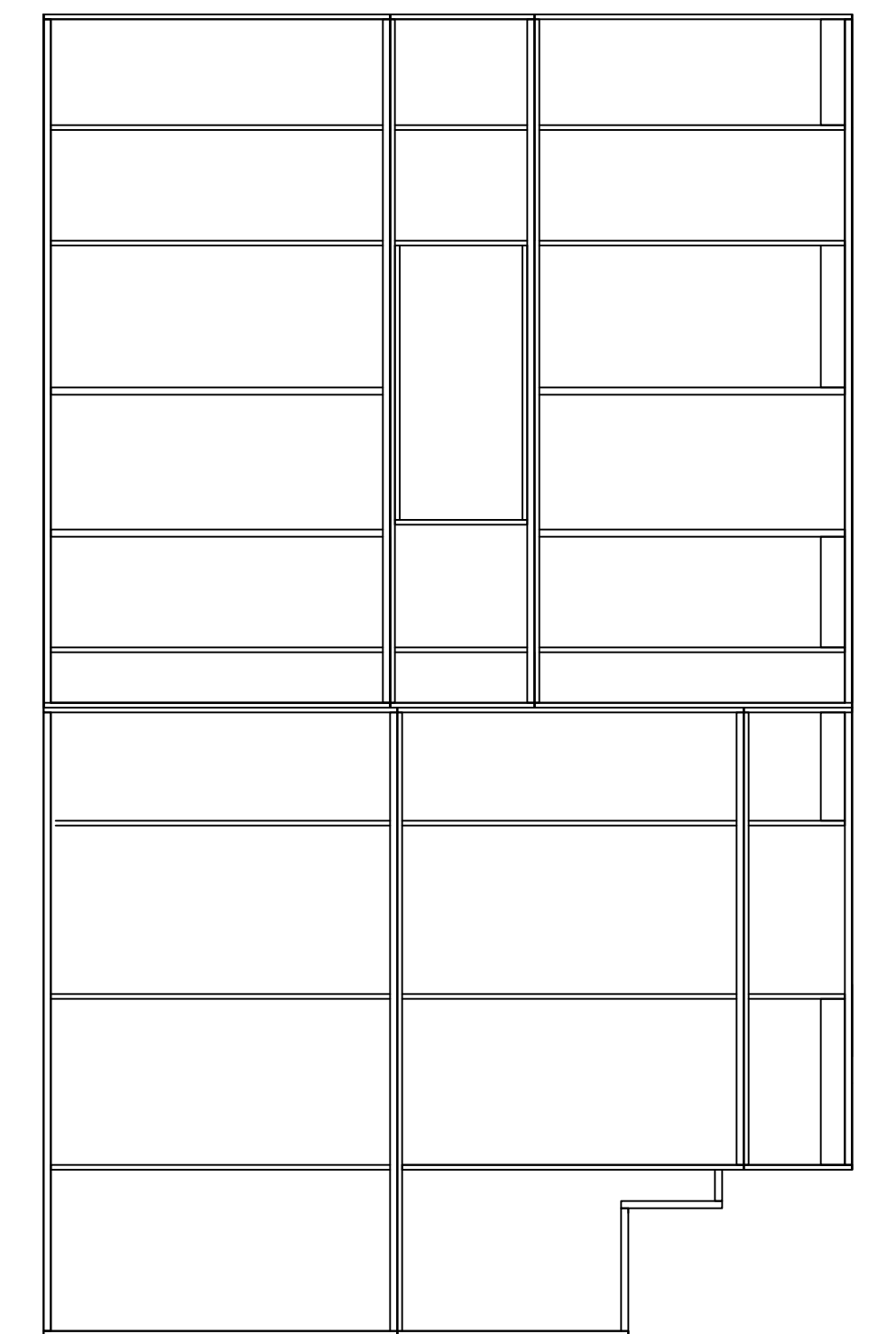
DOH 2



Upstairs Off Stage House Wall



Upstairs Off Stage House Wall



Twelfth Night

Kentucky Shakes

Title: SR Flats

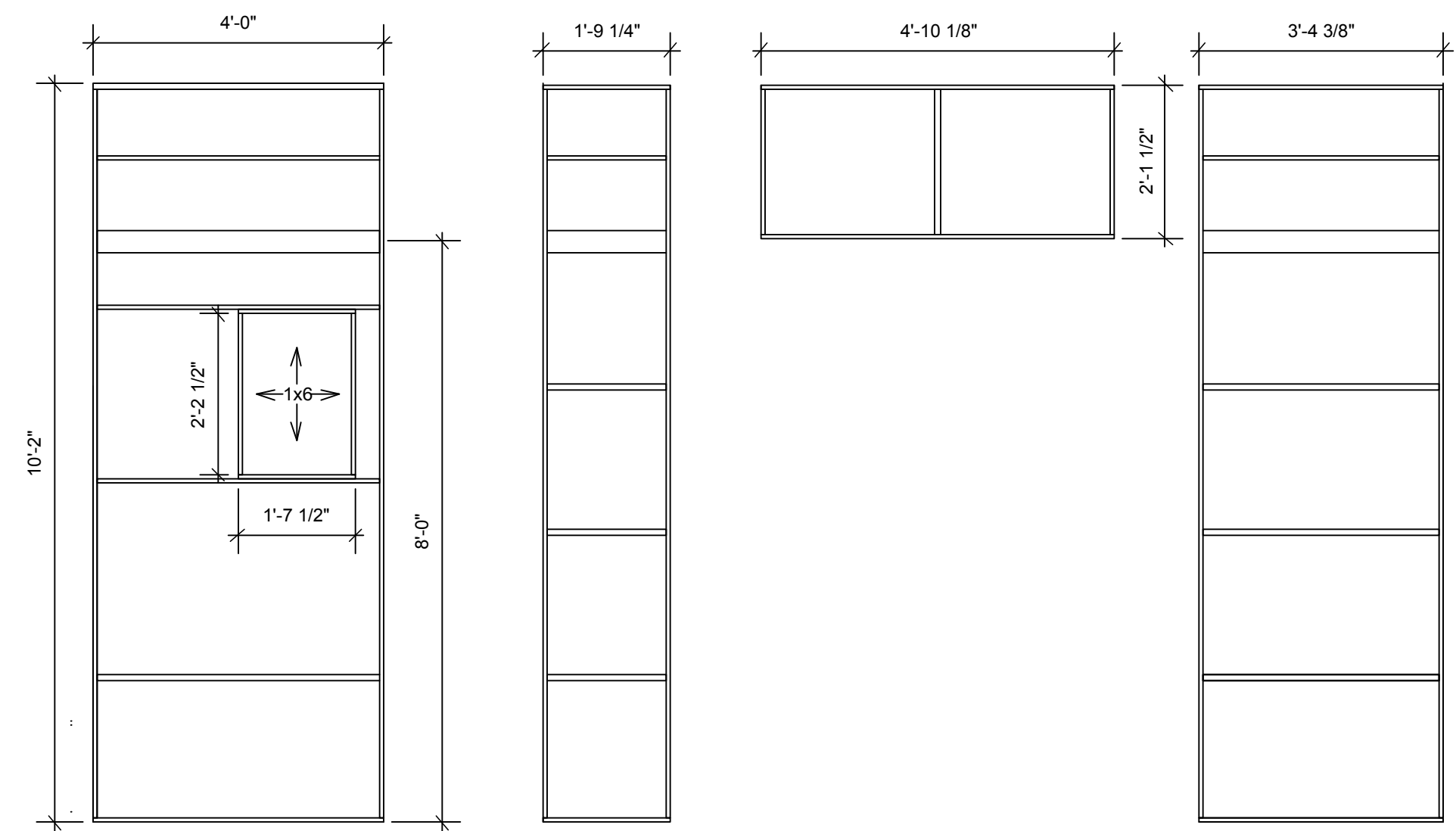
Director: Brantley Dunaway Designer: Jeff Kmiec

Booked by: Will Griffith 502-314-8722 Date: 5/5/13

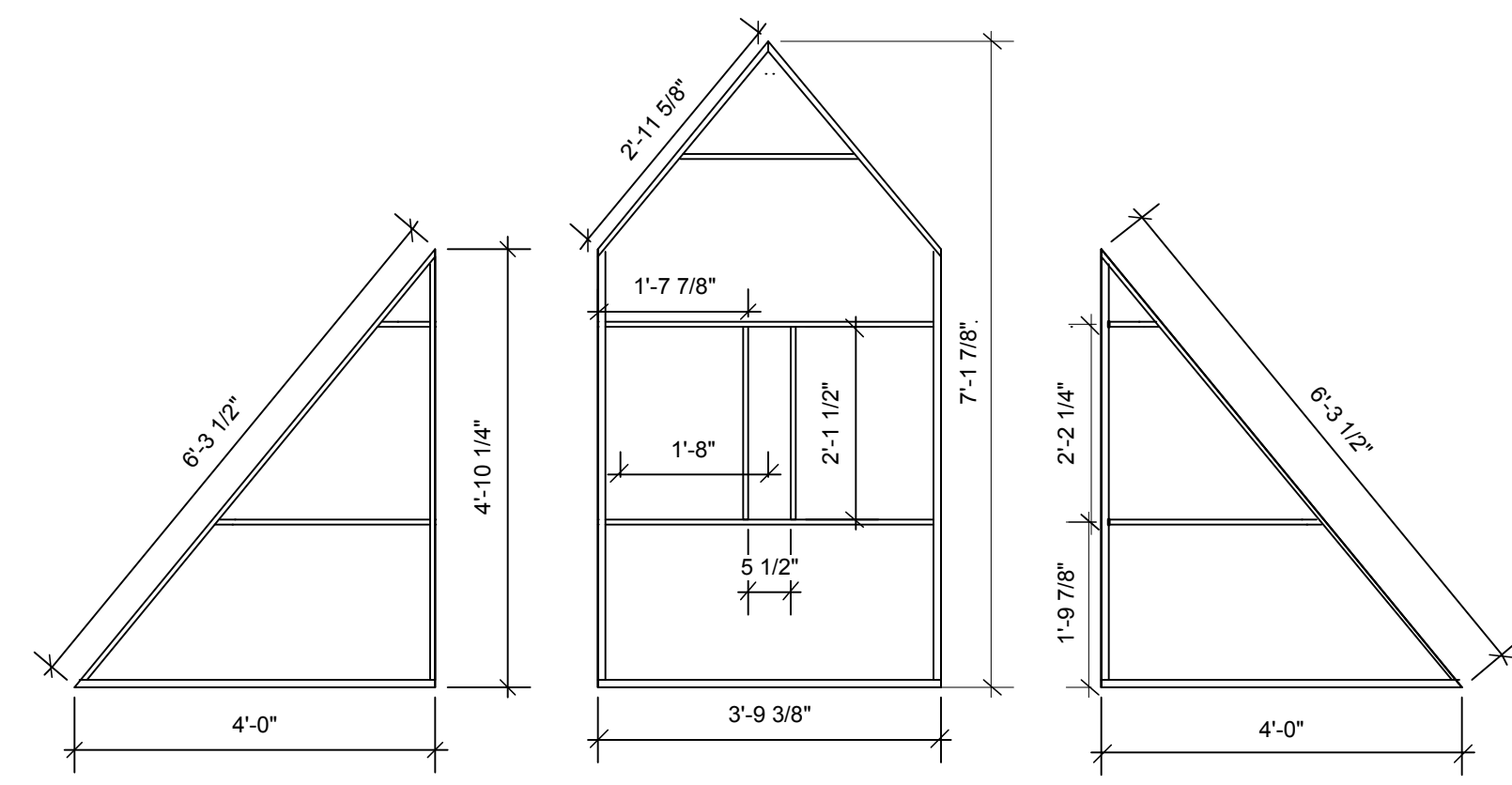
Scale: 1/2" = 1' Page: 6

Notes: of 18

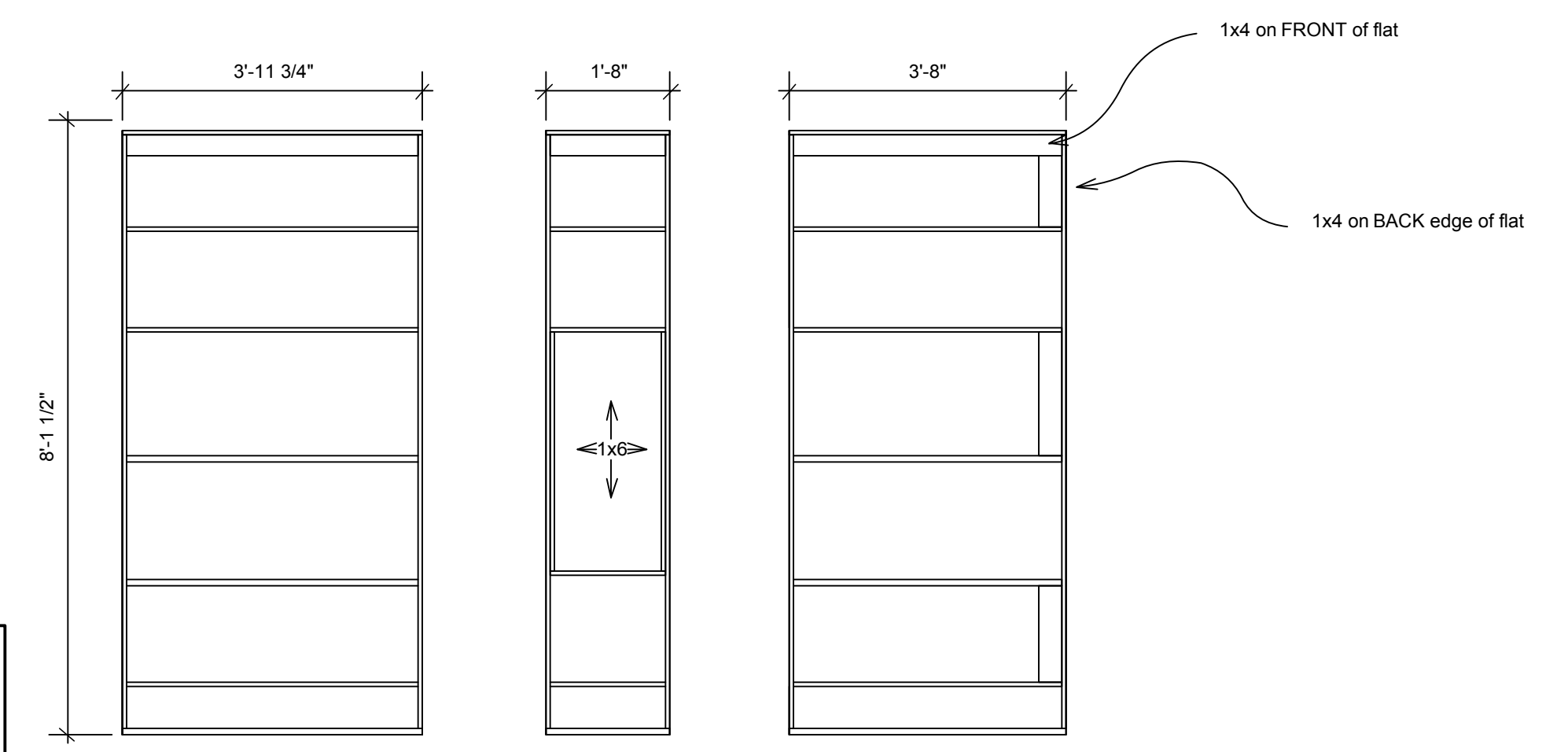
**Onstage Upstairs House Wall**



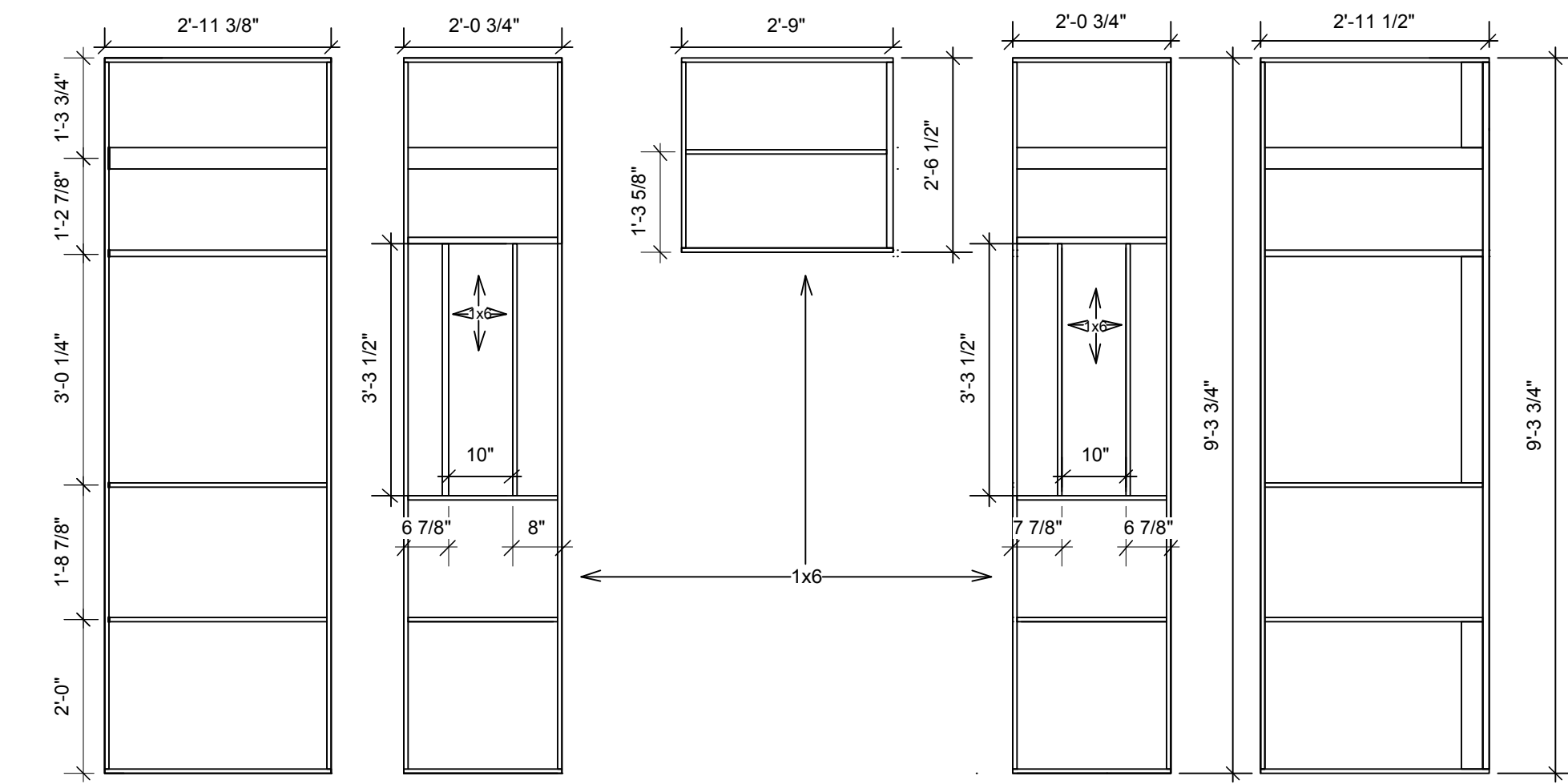
**Roof Gable**



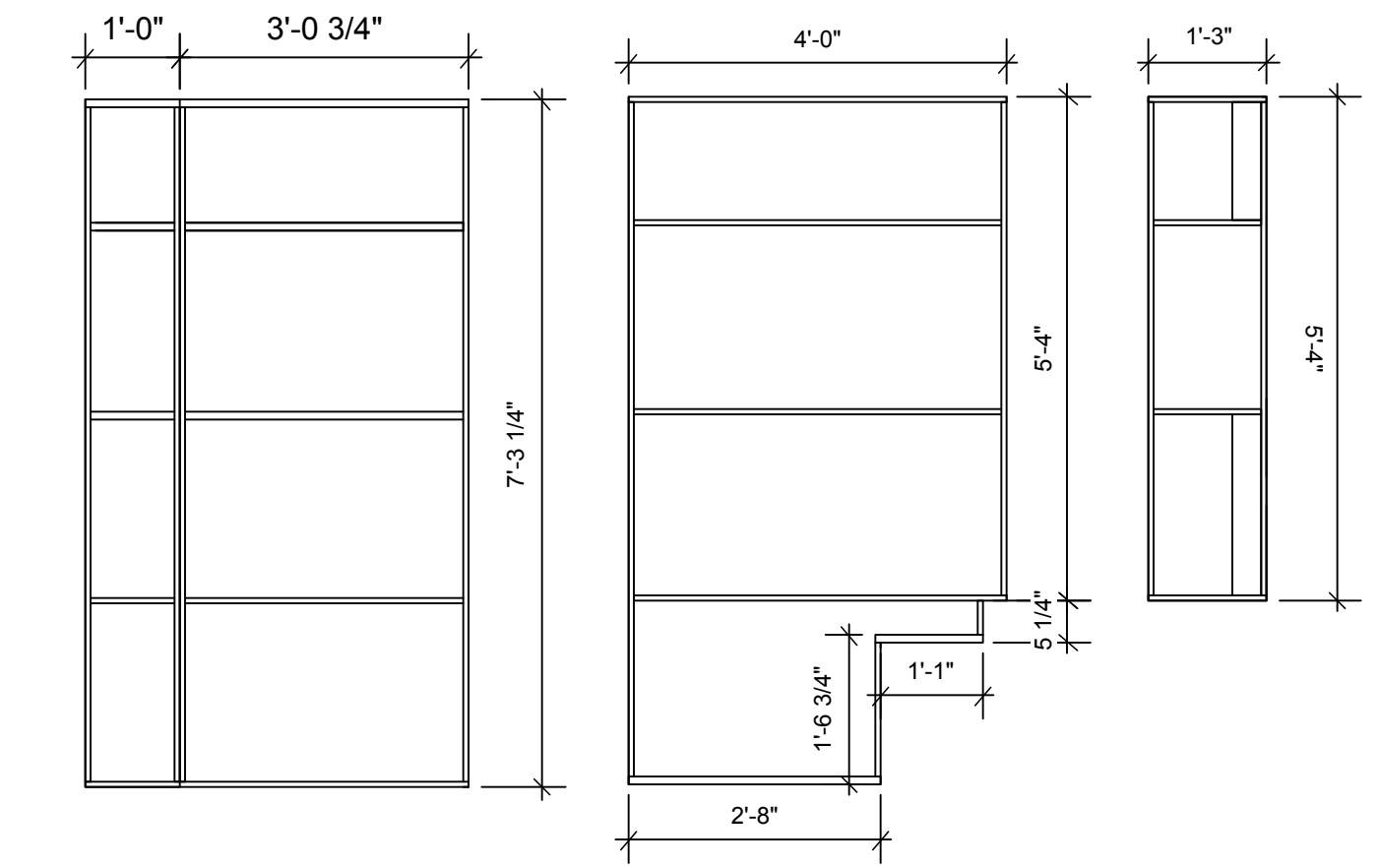
**Downstairs Offstage House Wall- Top**



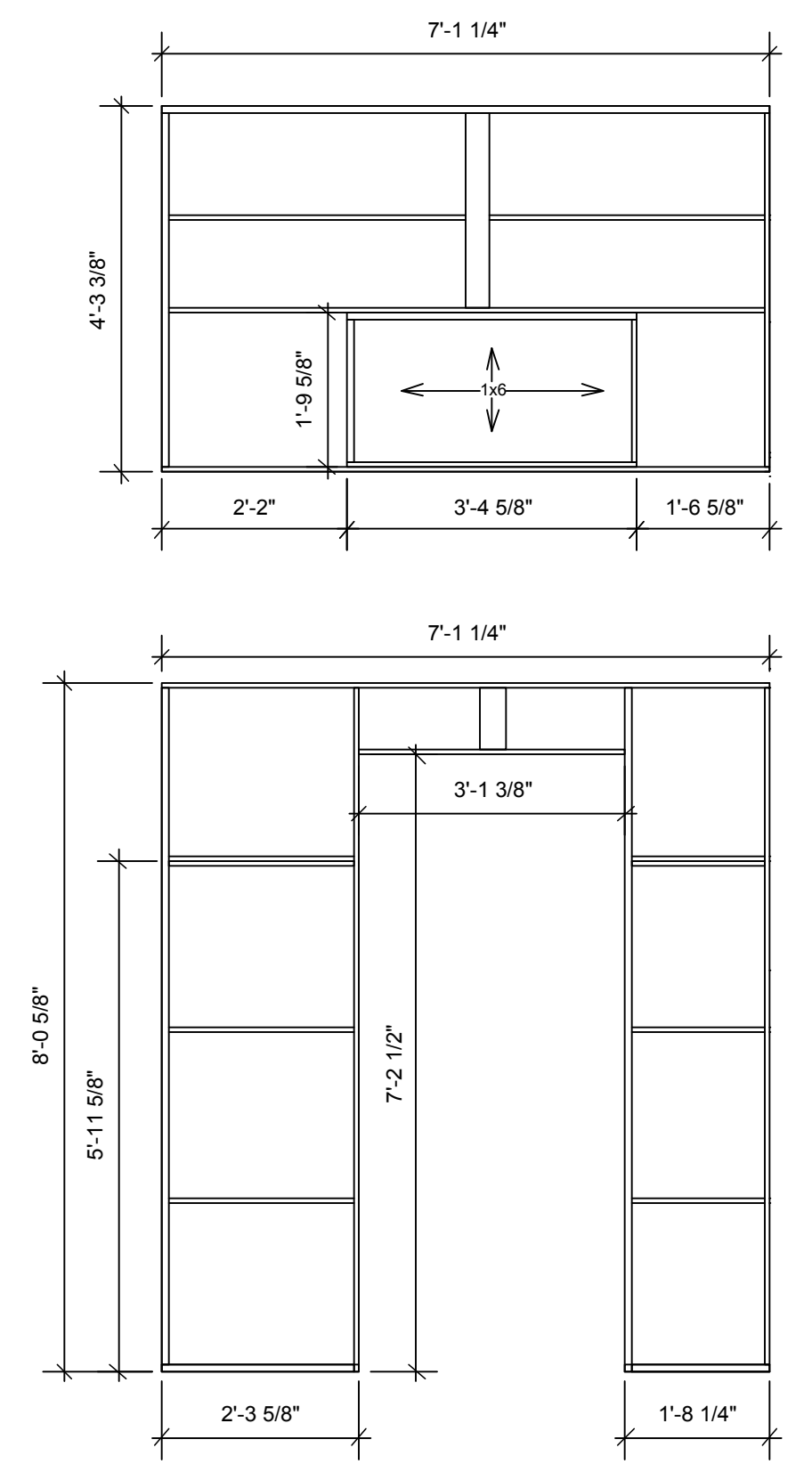
**Upstairs Offstage House Wall**



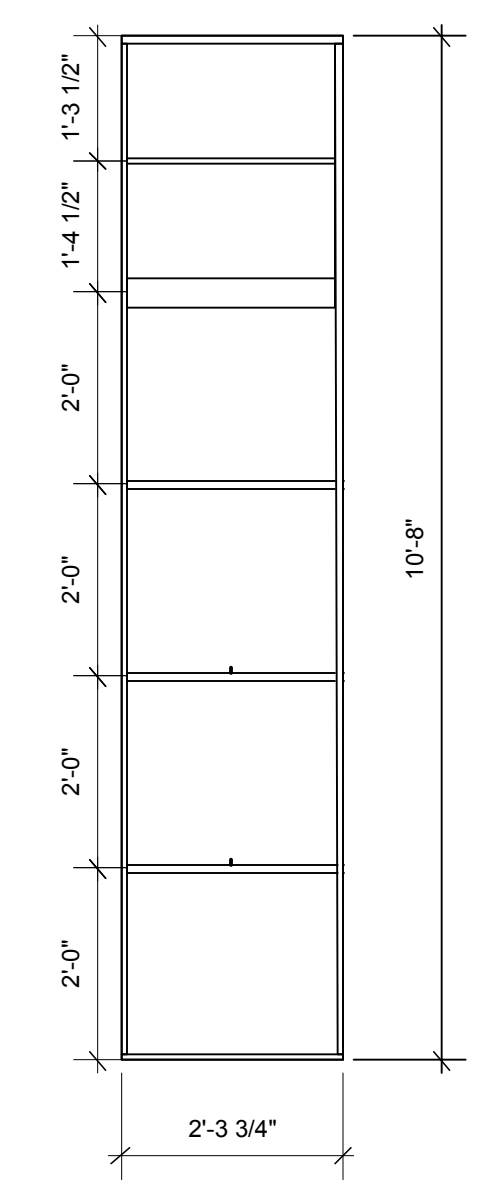
**Downstairs Offstage House Wall- Bottom**



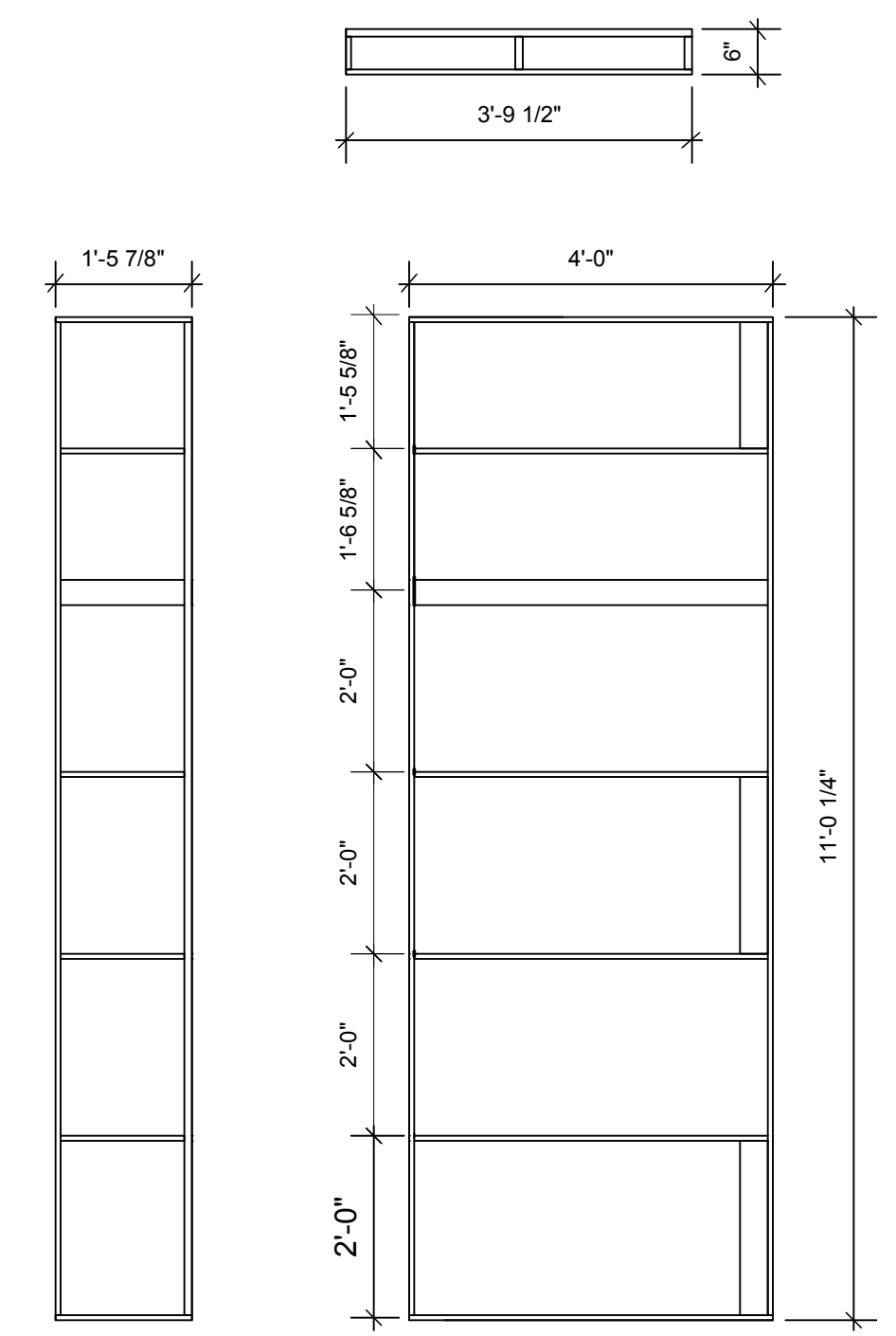
**Downstairs Onstage House 1**



**DOH 3**



**DOH 2**



**Twelfth Night**

**Kentucky Shakes**

Title: SR Flats- Exploded

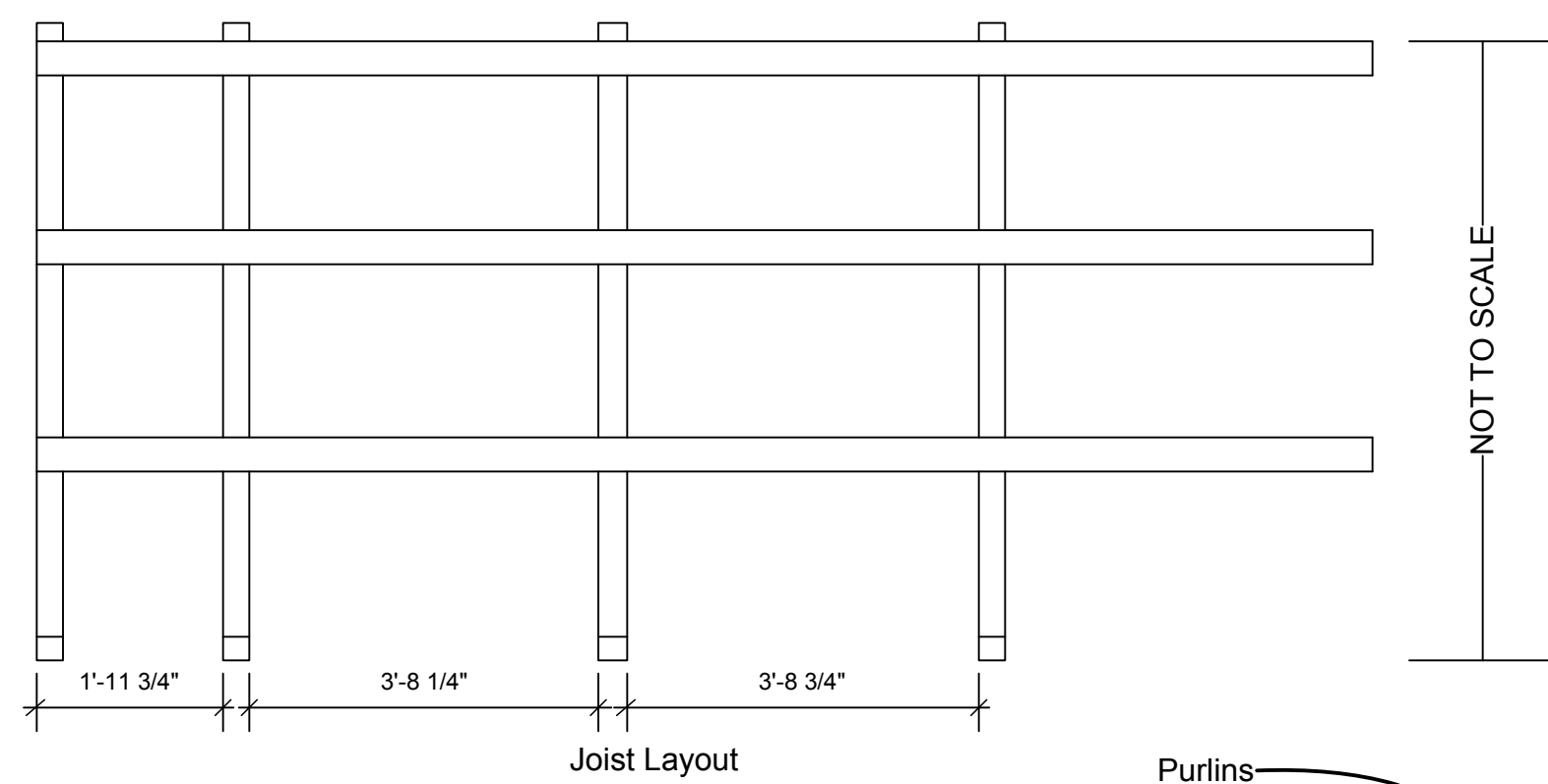
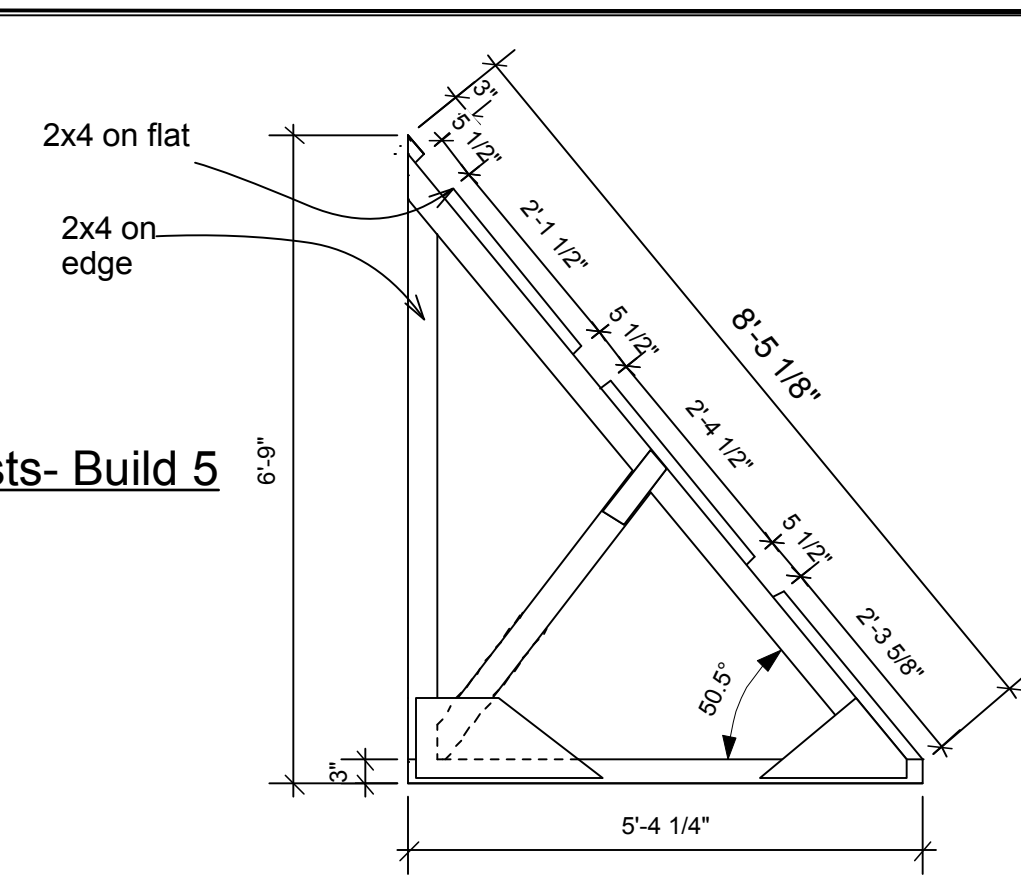
Director: Brantley Dunaway Designer: Jeff Kmiec

Project: Will Griffith 502-314-8722 Date: 5/5/13

Scale: 1/2" = 1' Plate: 7

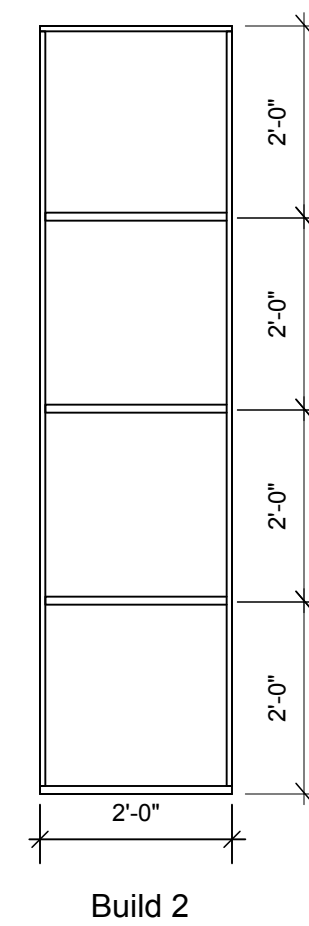
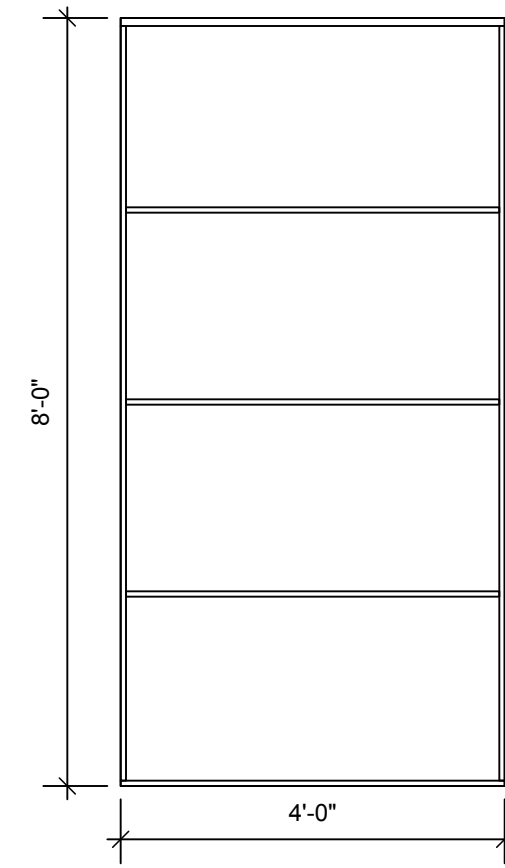
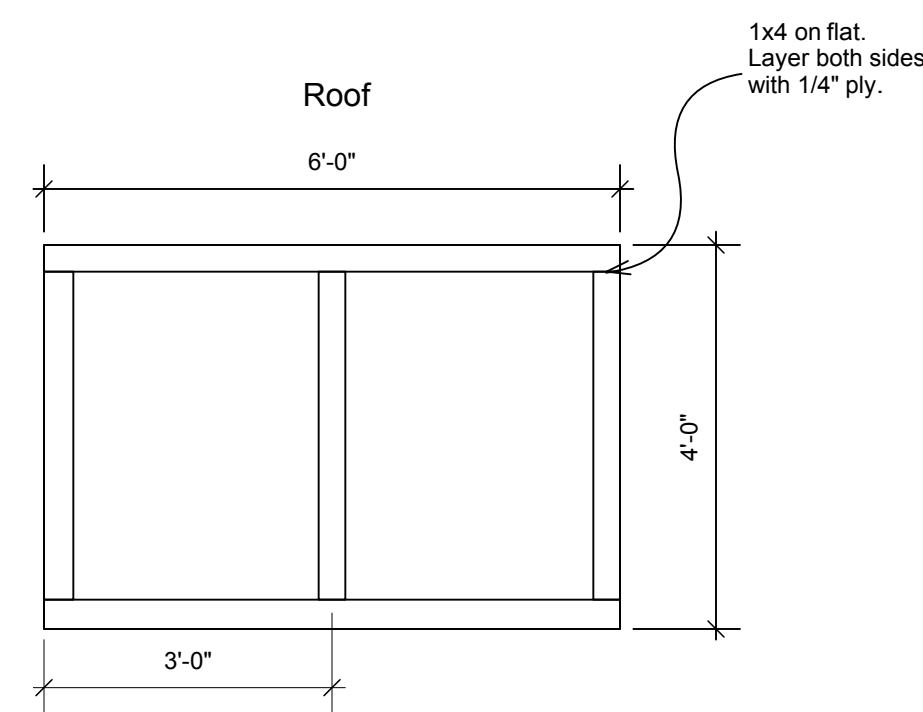
Notes: All flats are 1x4 on edge unless otherwise noted. All toggles are 2" O.C. unless noted.

**Roof Joists- Build 5**

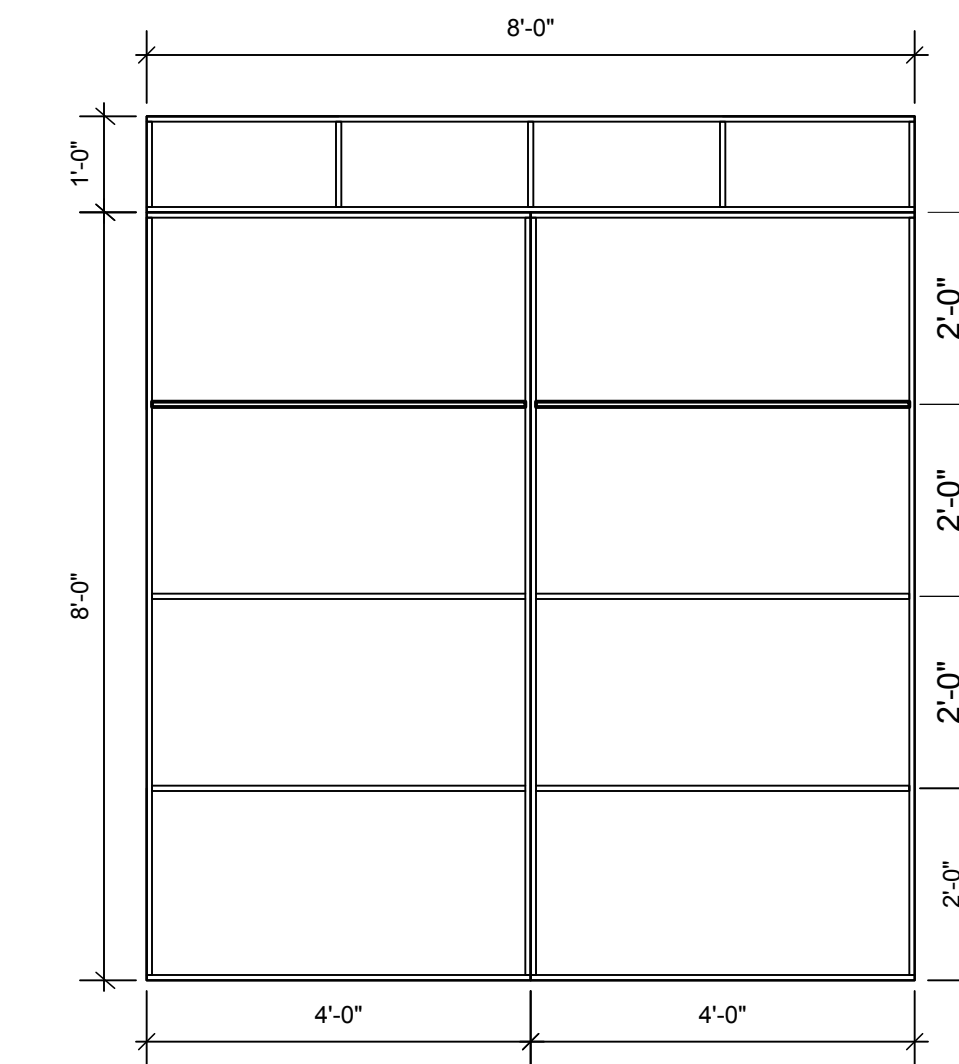


Purlins

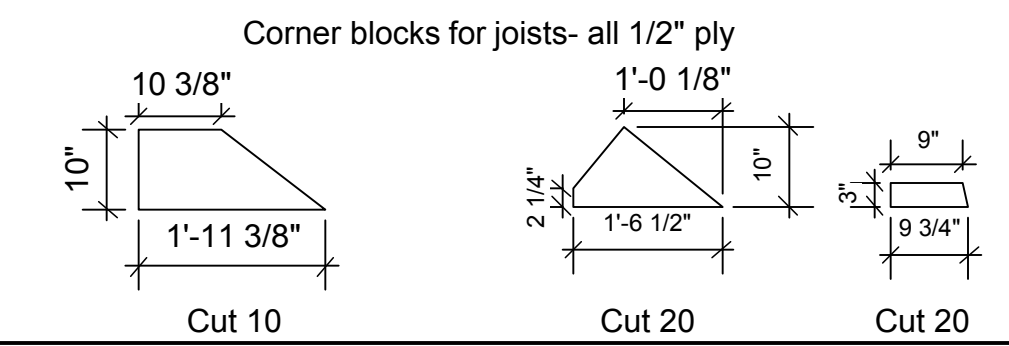
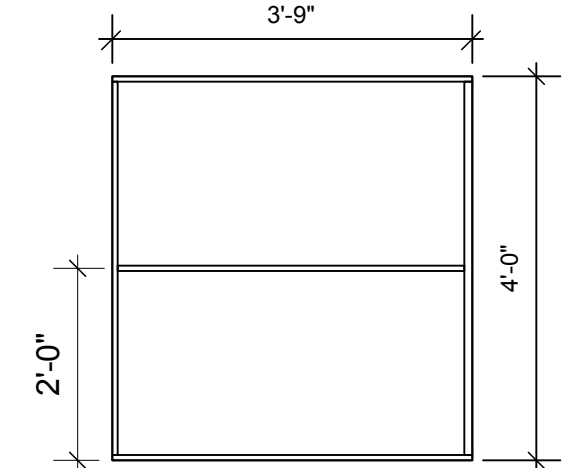
**Upstairs House Masking**



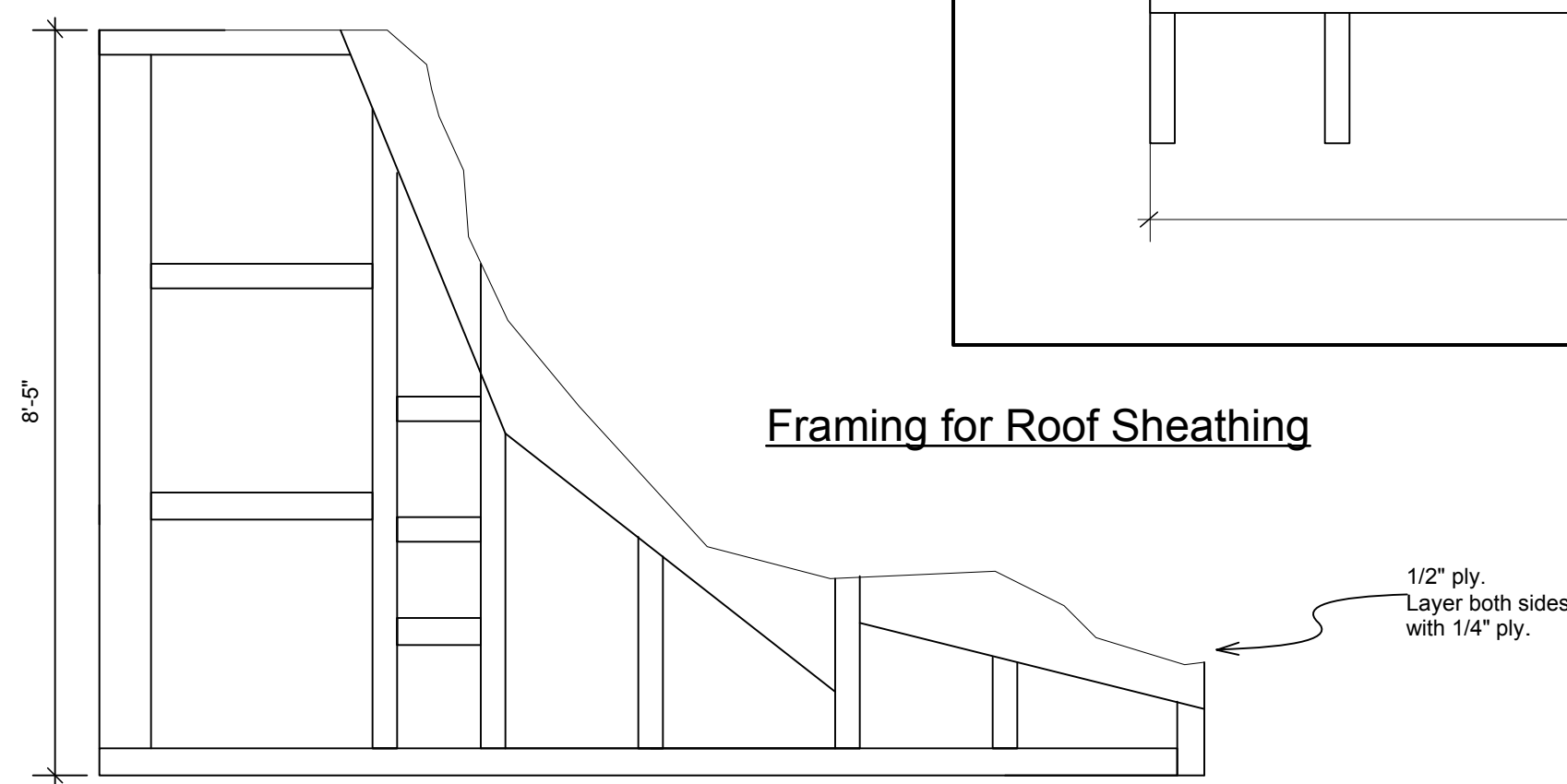
**Balcony**



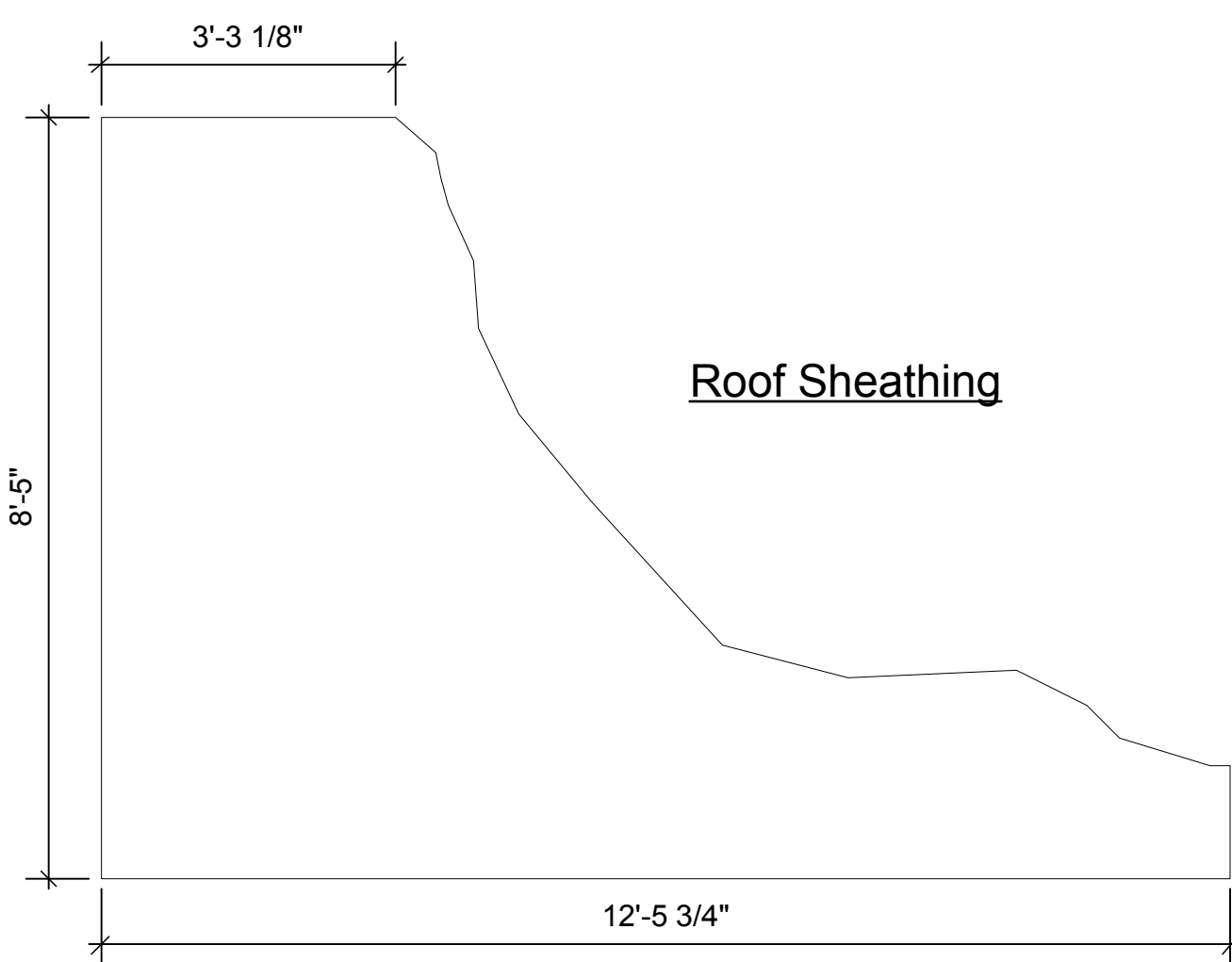
**Balcony Escape**



**Framing for Roof Sheathing**

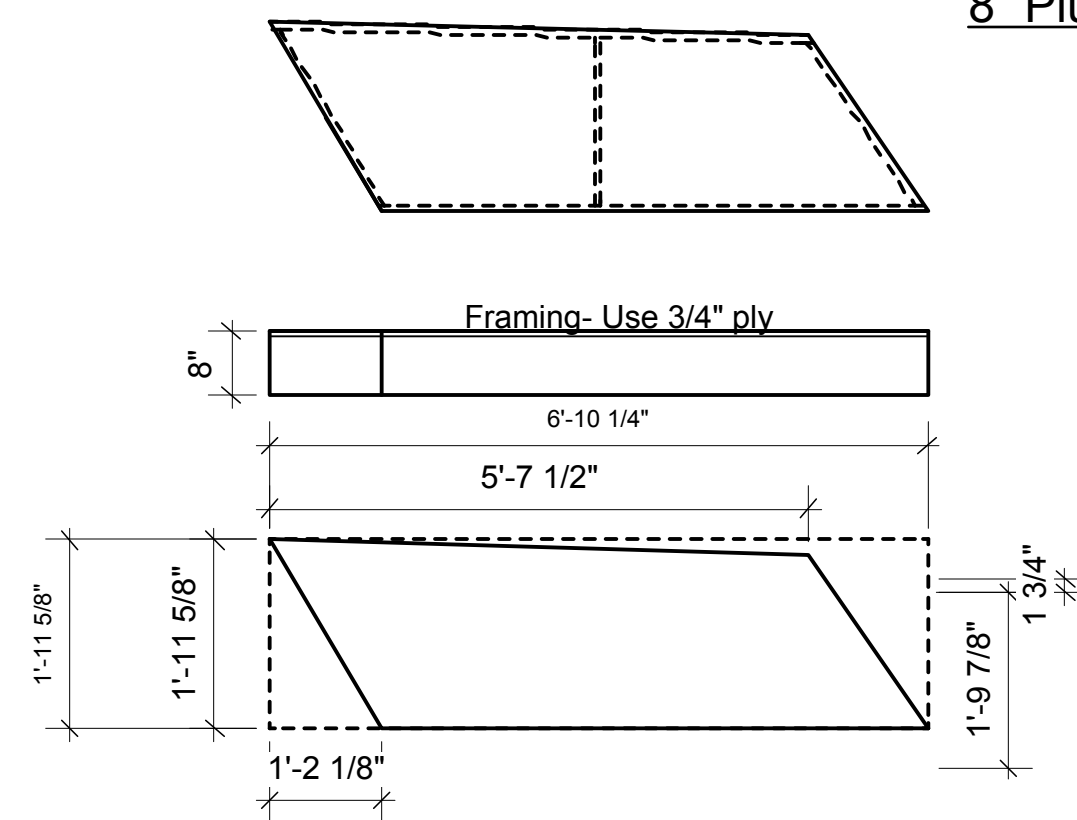


See Plate 18 For tiles



**Roof Sheathing**

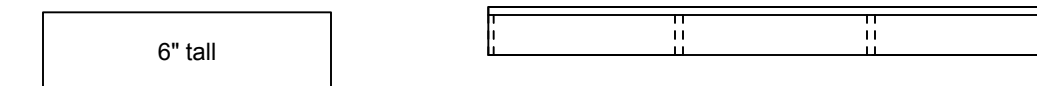
**8" Plug**



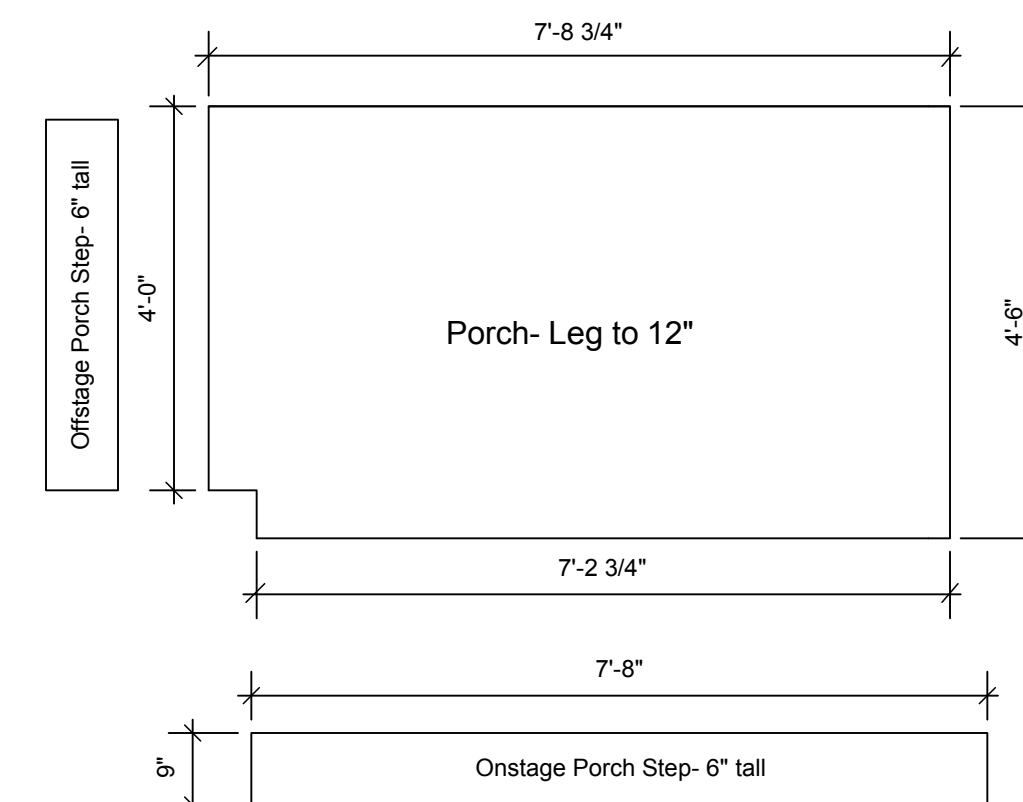
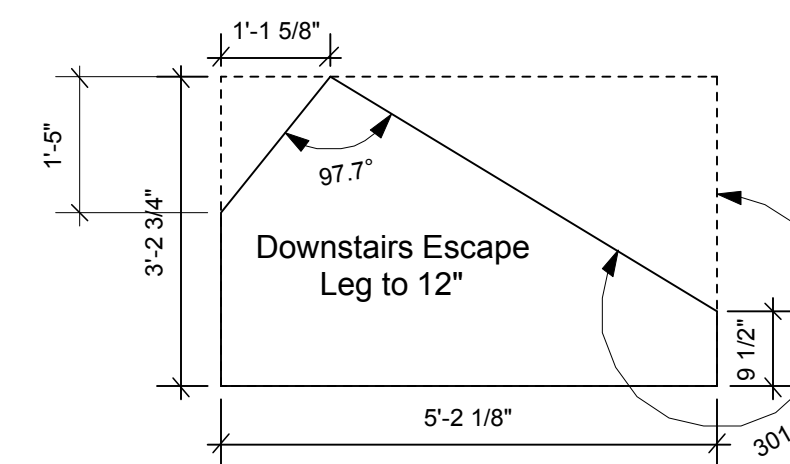
Framing- Use 3/4" ply

**Porch and Downstairs Escape Platforms**

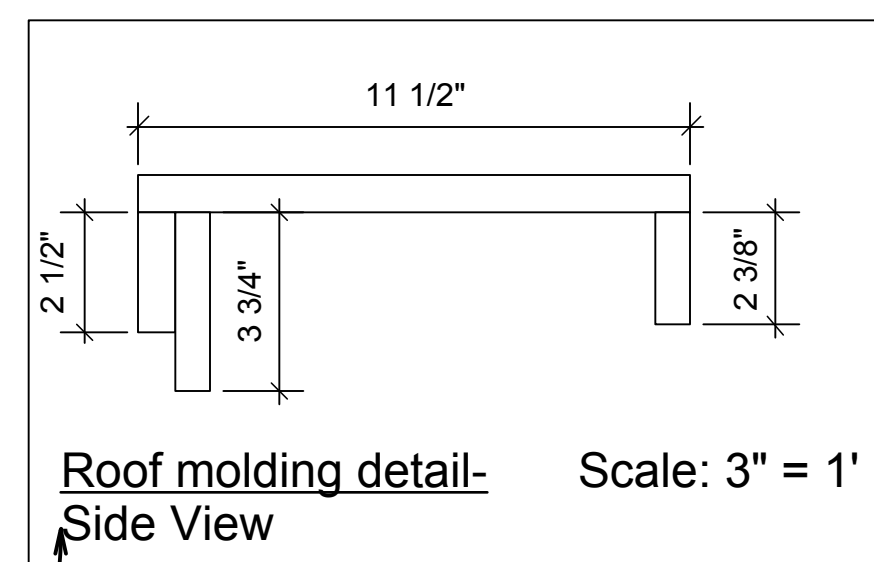
Downstairs Escape Step



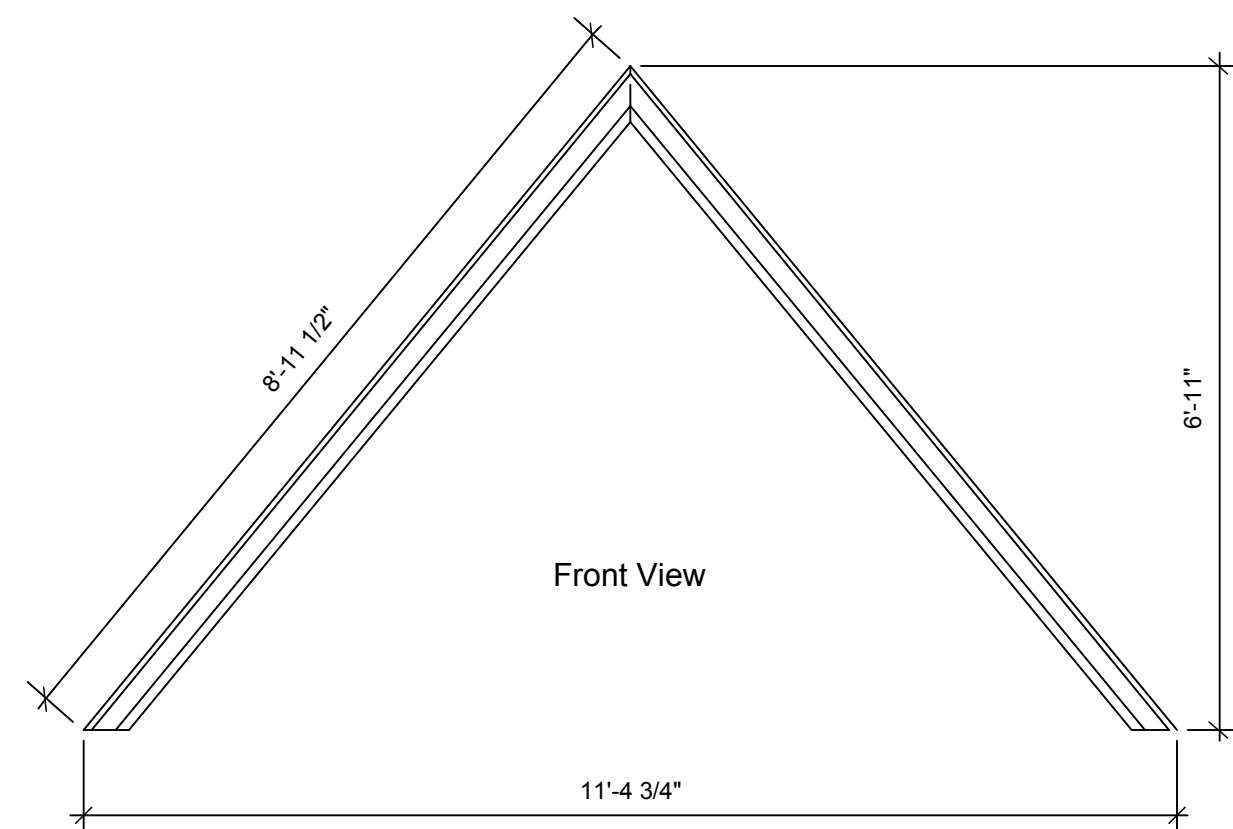
All Platforms are 1x6 construction on 2" centers (or as close as possible) with 3/4" lids. Height is listed on each platform.



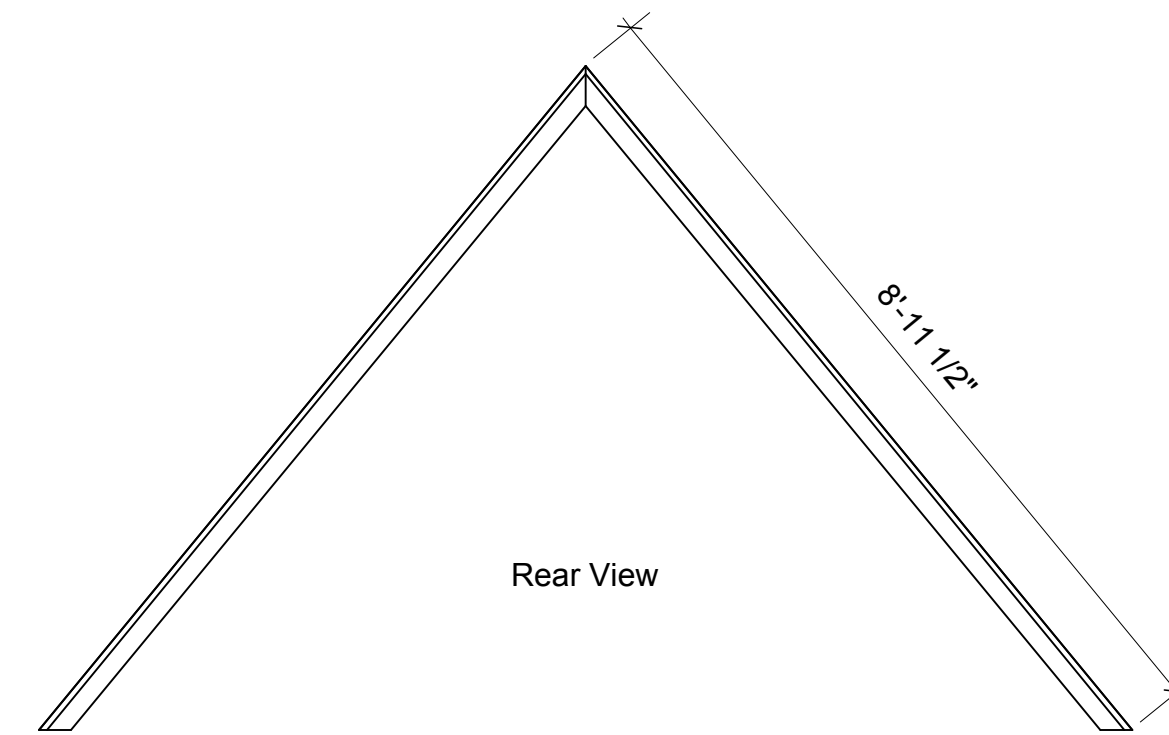
**Roof Crown Molding**



Scale: 3" = 1'



NTS



Rear View

**Twelfth Night**

**Kentucky Shakes**

Title: Roof, Platforms, etc

Director: Brantley Dunaway

Designer: Jeff Kmiec

Prepared by: Will Griffith 502-314-8722

Date: 5/5/13

Scale: 1/2" = 1'

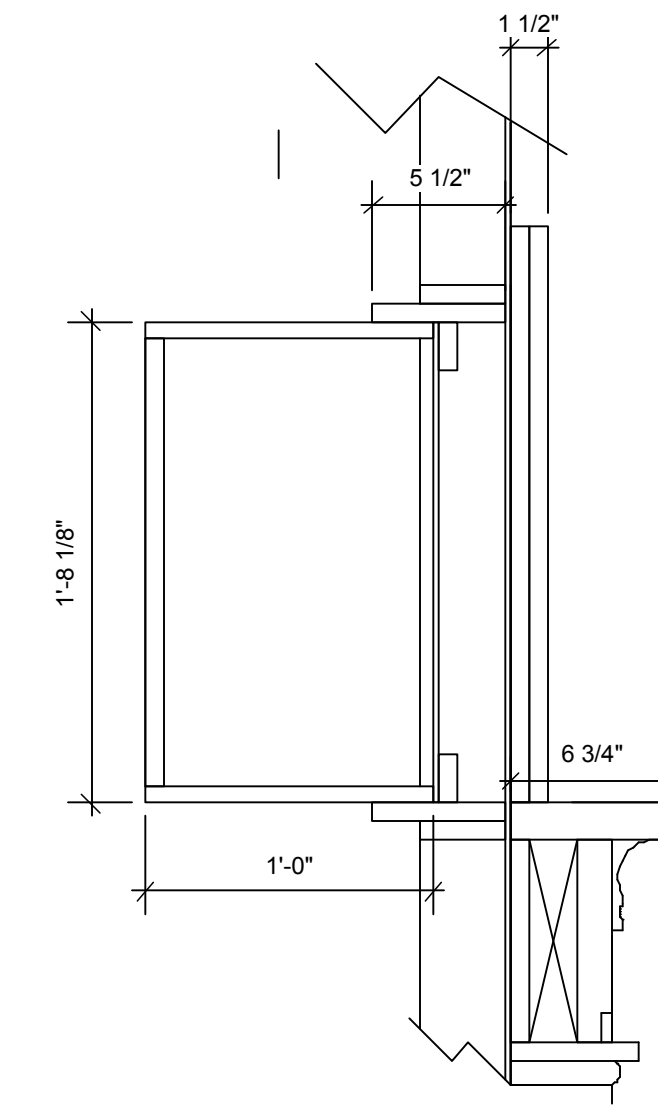
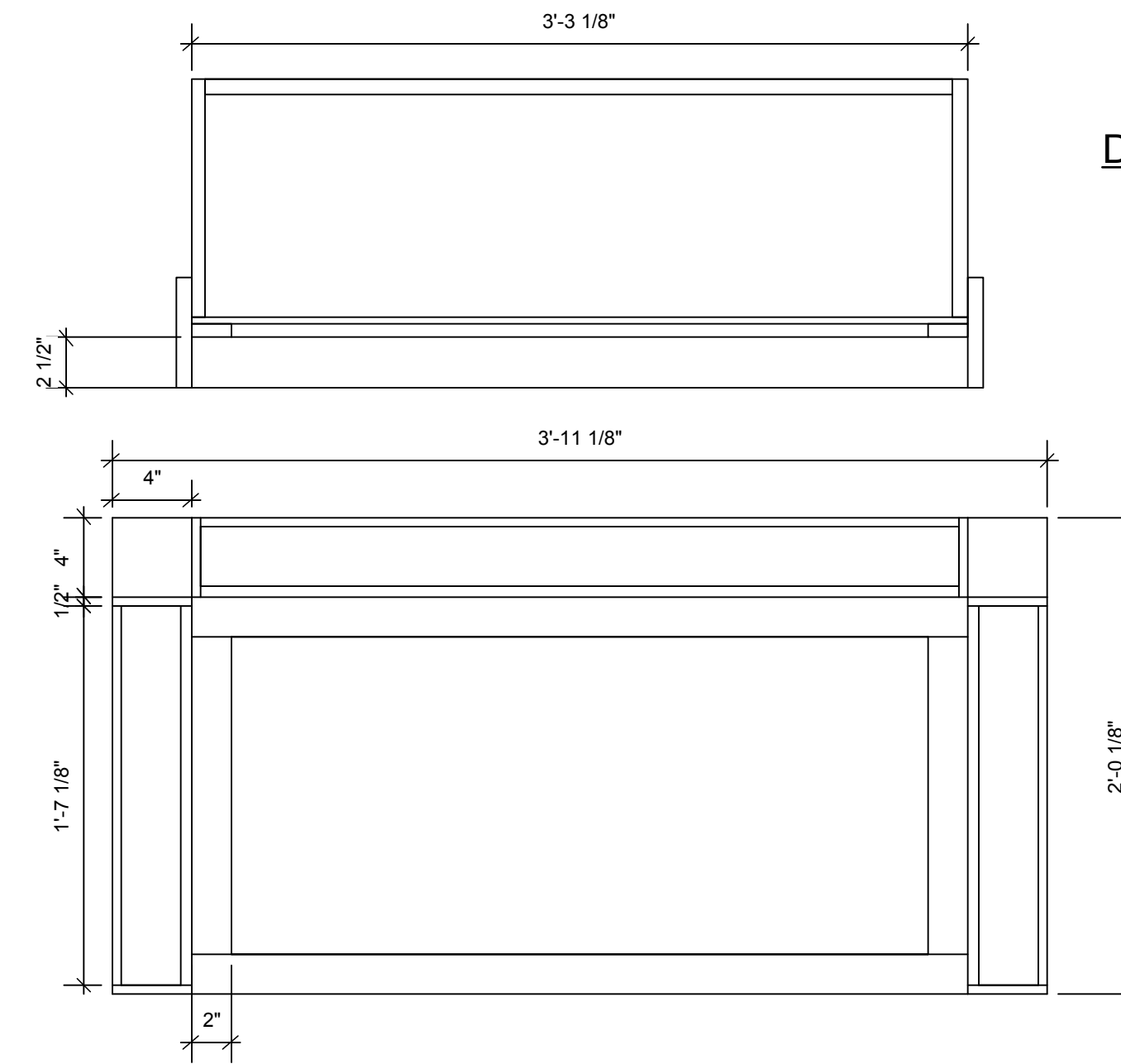
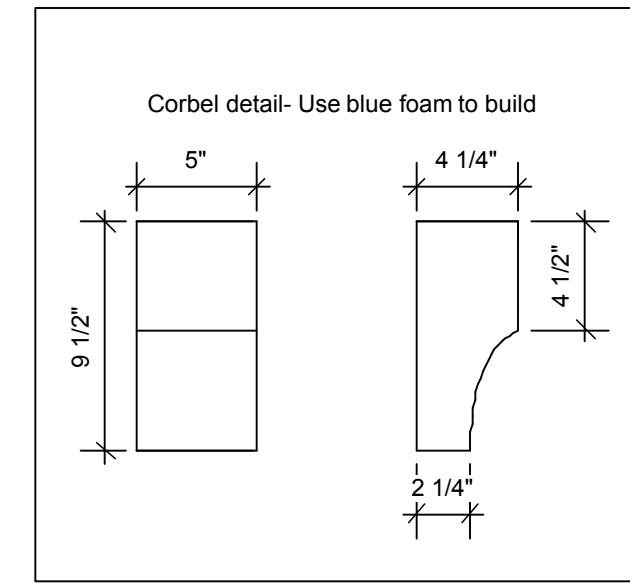
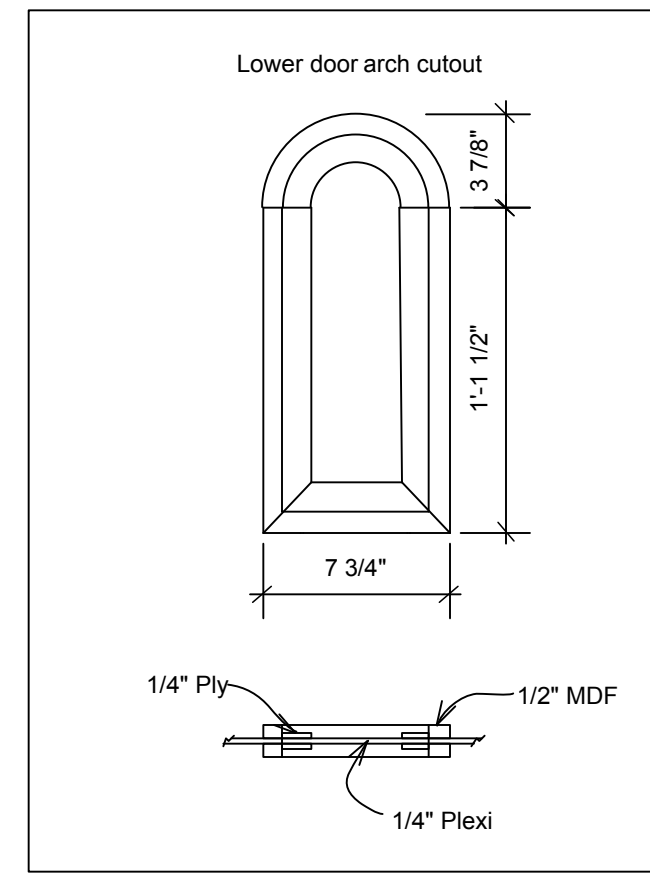
Plate: 8

Notes

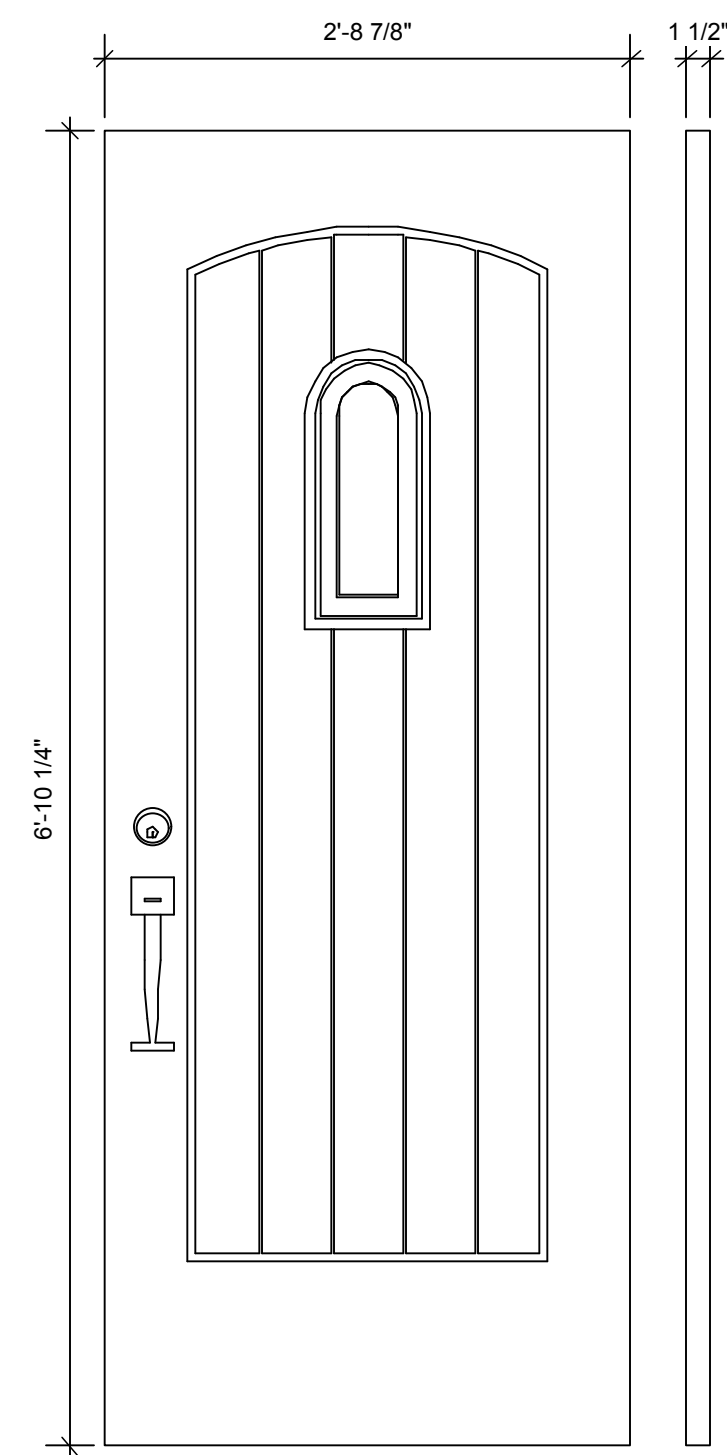
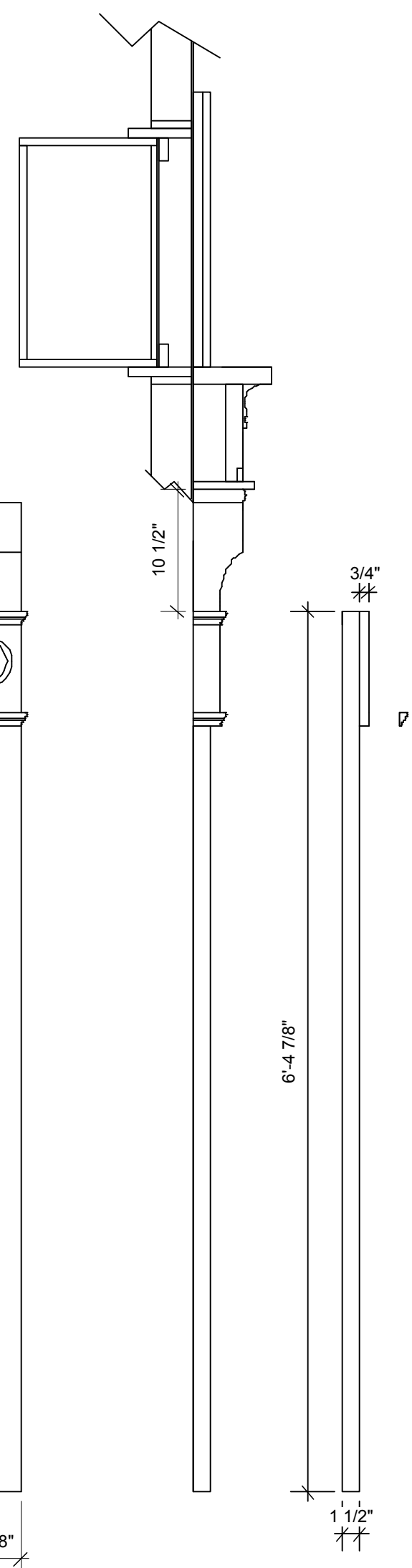
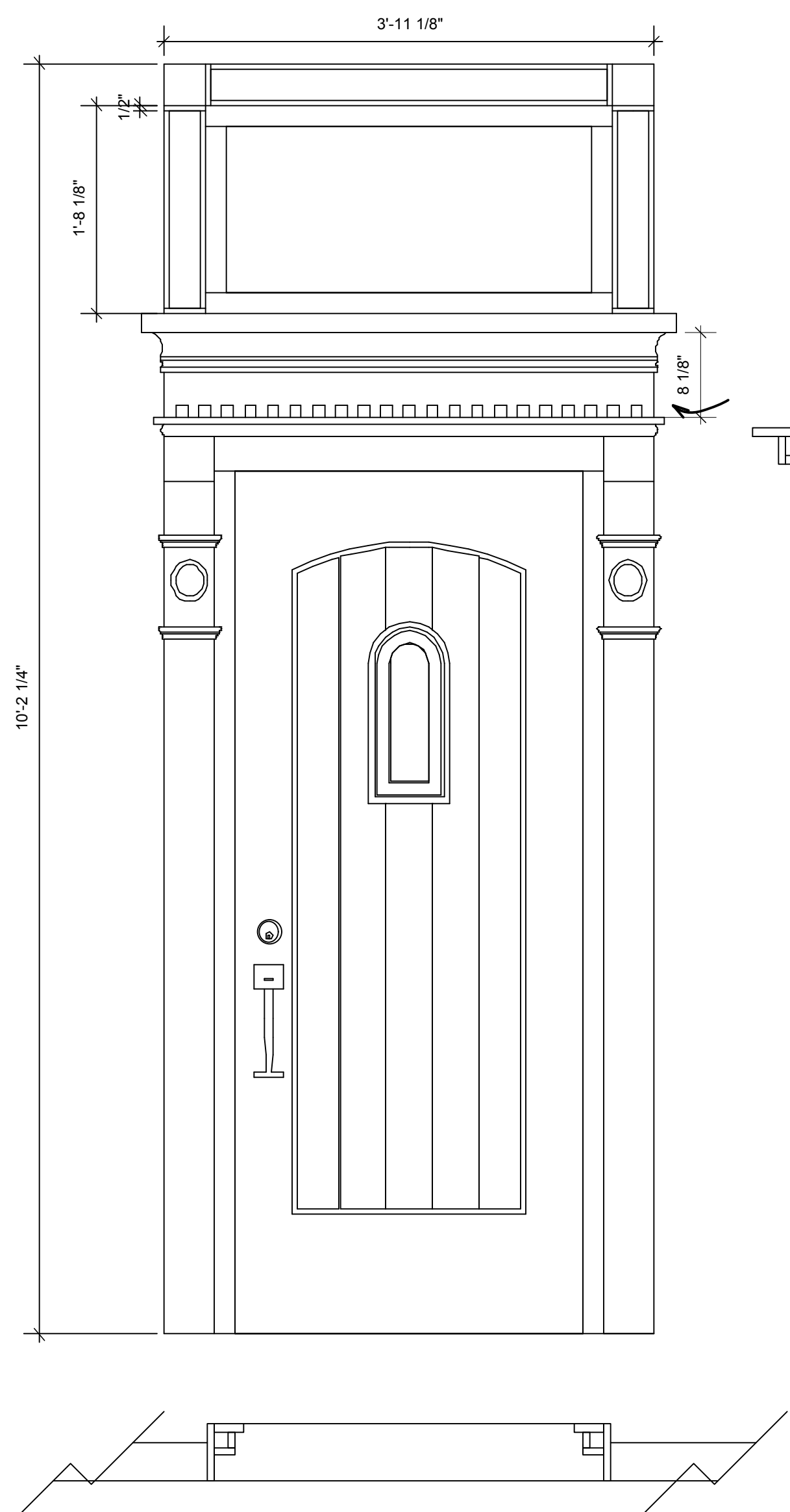
of 18



Downstairs Onstage House Door Window Details

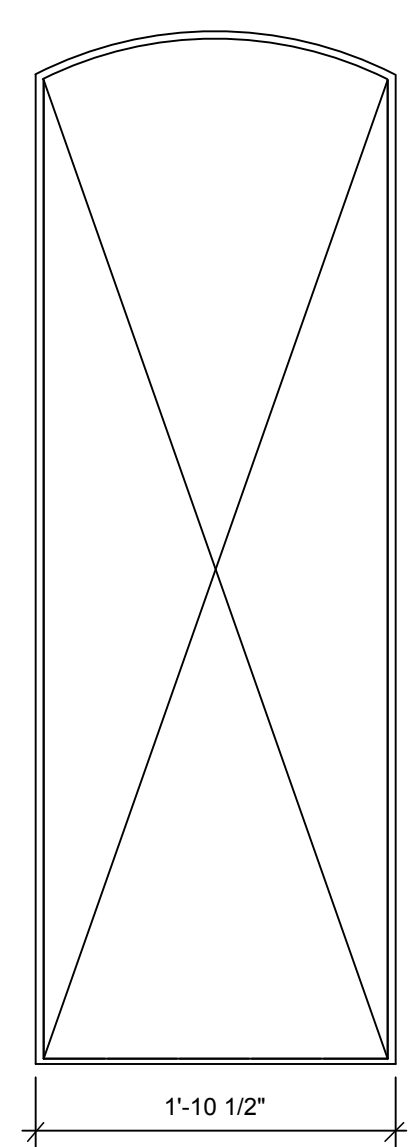
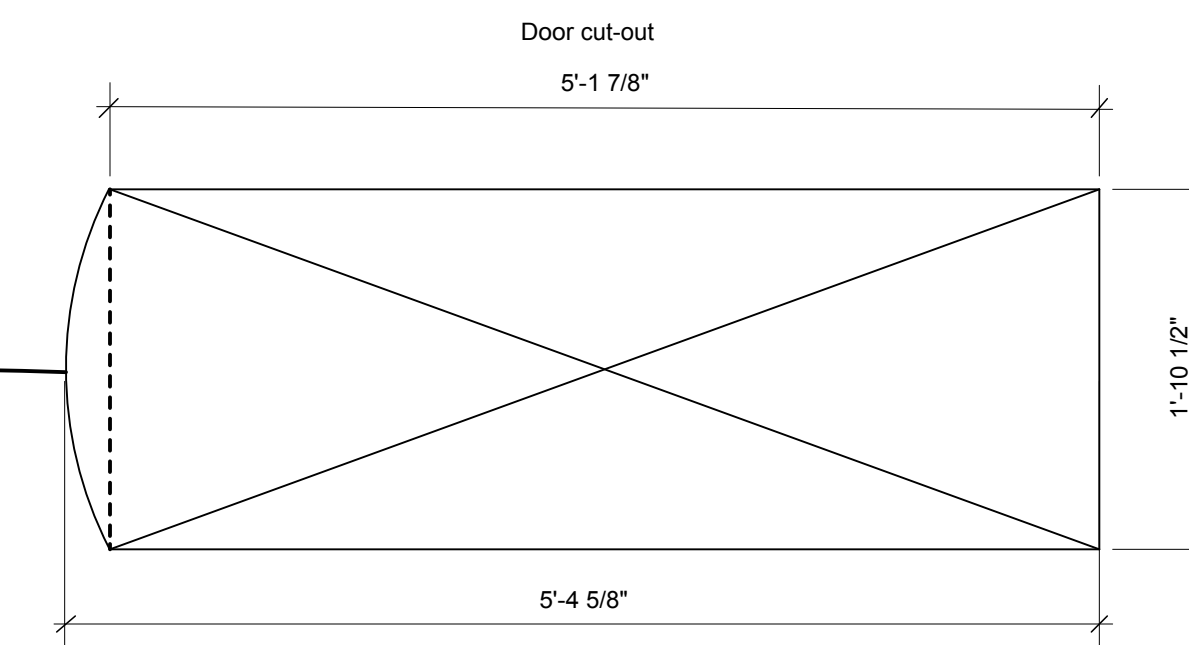


Scale: 1 1/2" = 1'

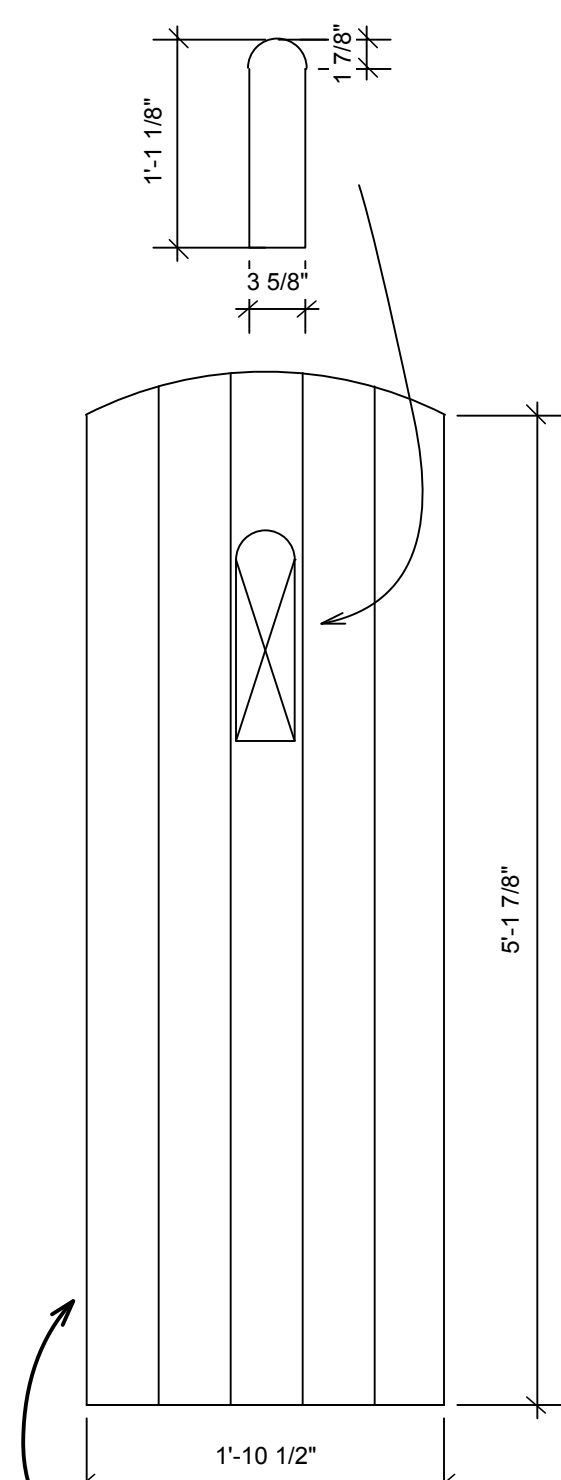


3/4" x 1 1/2" pine

3/4" Ply- cut 2



1/2" MDF- Cut 2



1/4" Ply- cut into 4.5" strips

Twelfth Night

Kentucky Shakes

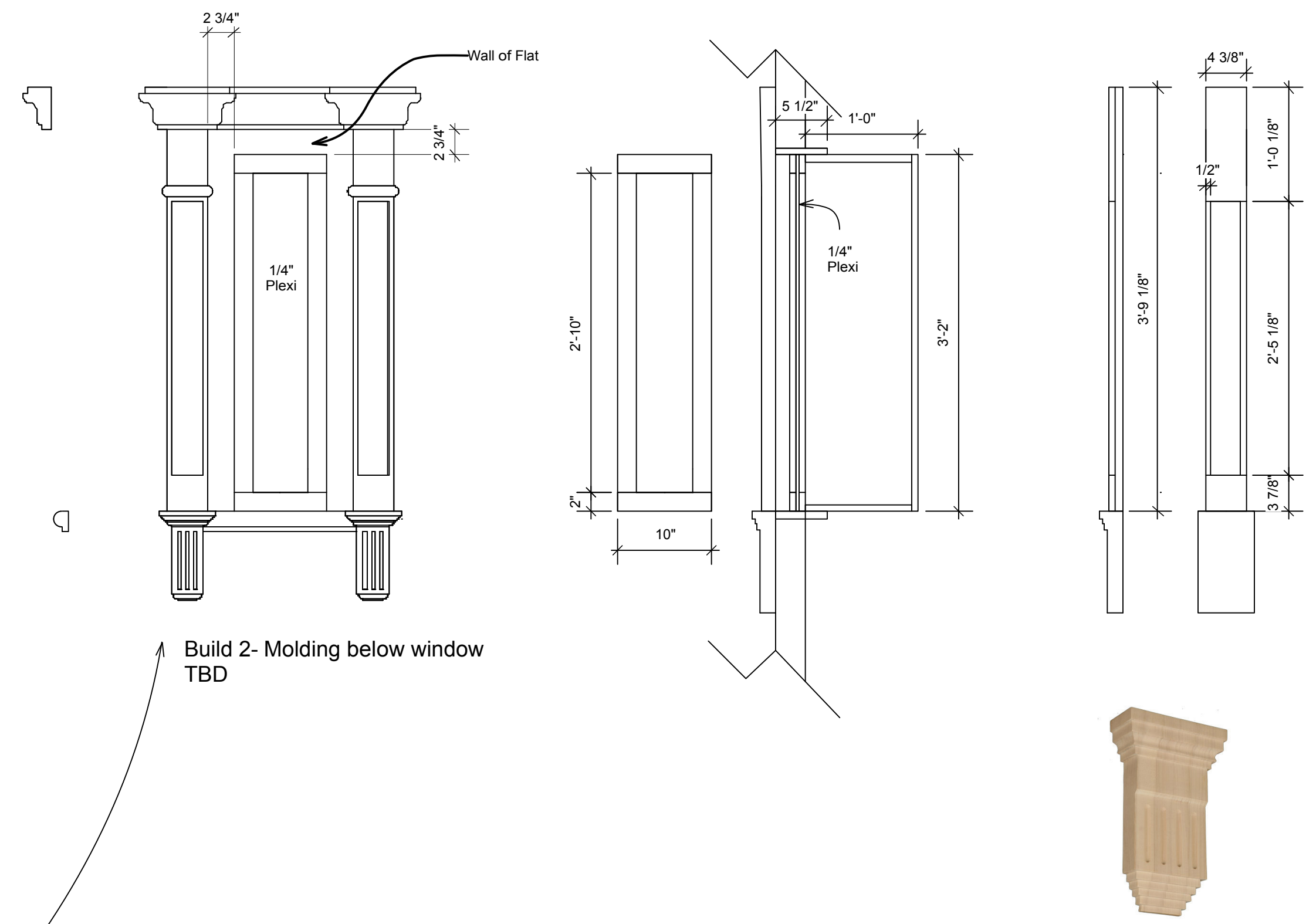
Title: Downstairs Onstage Door Details

Director: Brantley Dunaway Designer: Jeff Kmiec

Produced by: Will Griffith Date: 5/5/13  
502-314-8722

Scale: 1" = 1' Page: 9

Notes: of 18

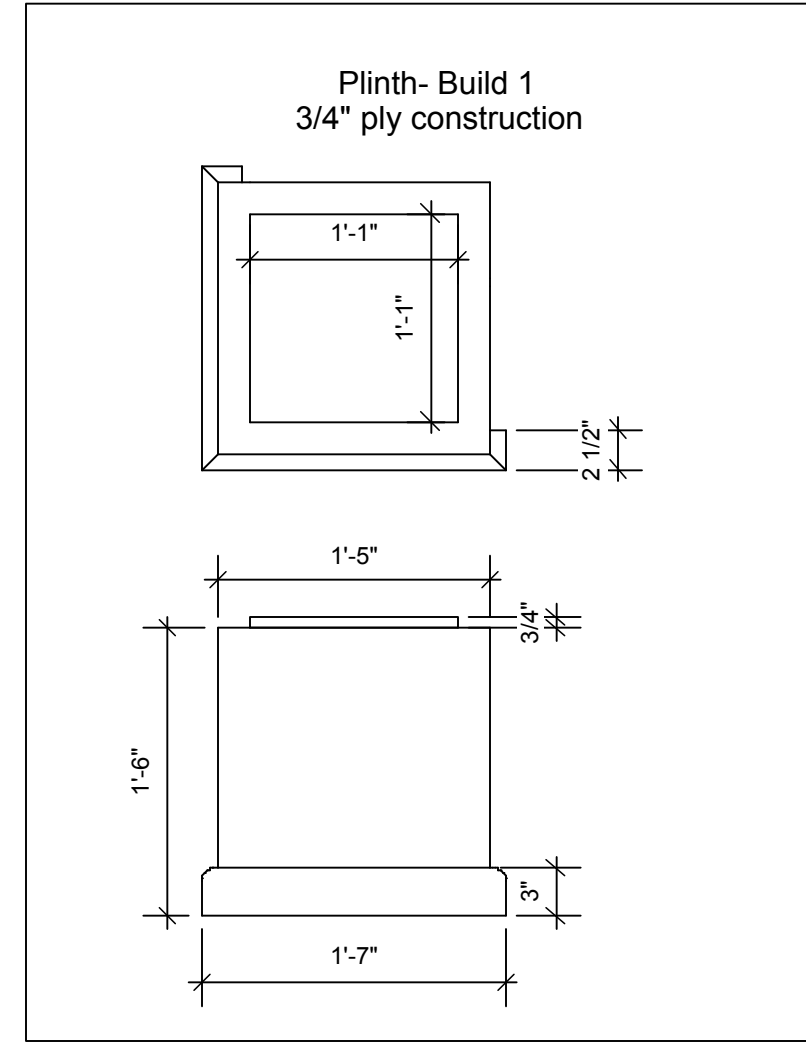
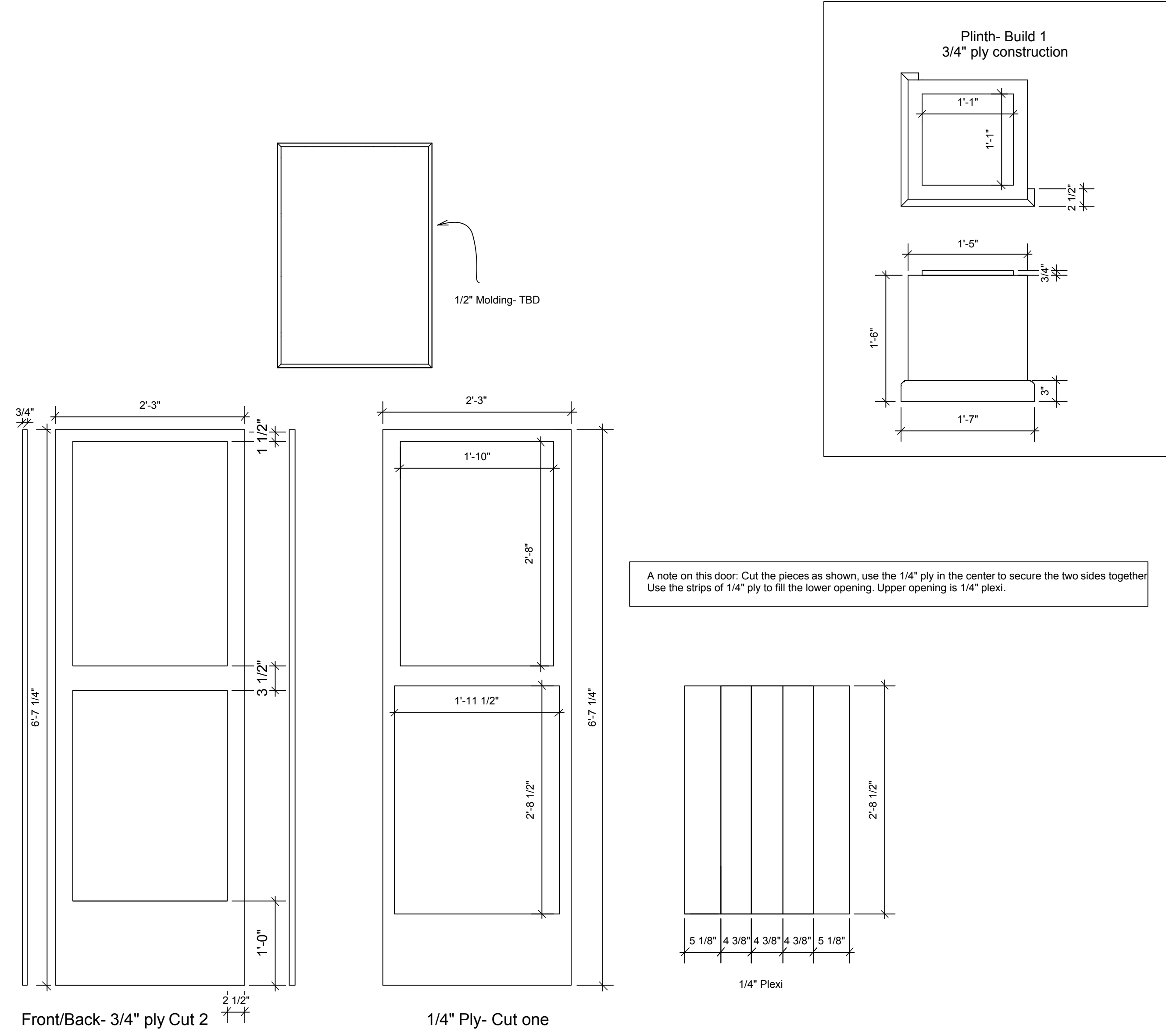
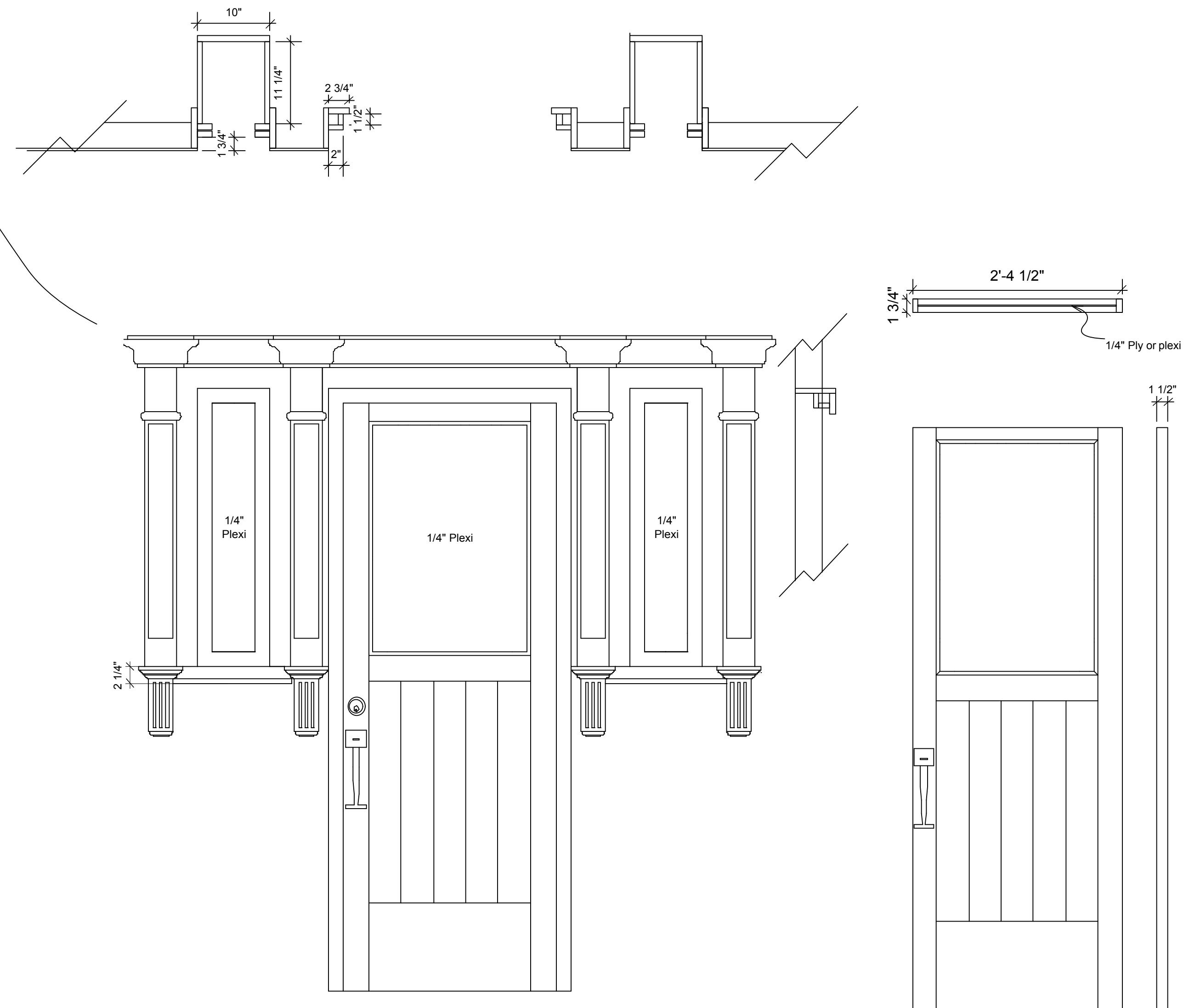


Build 2- Molding below window  
TBD



Downstairs Offstage House Wall Window

Upstairs Offstage House Wall Door



A note on this door: Cut the pieces as shown, use the 1/4\"/>

**Twelfth Night**

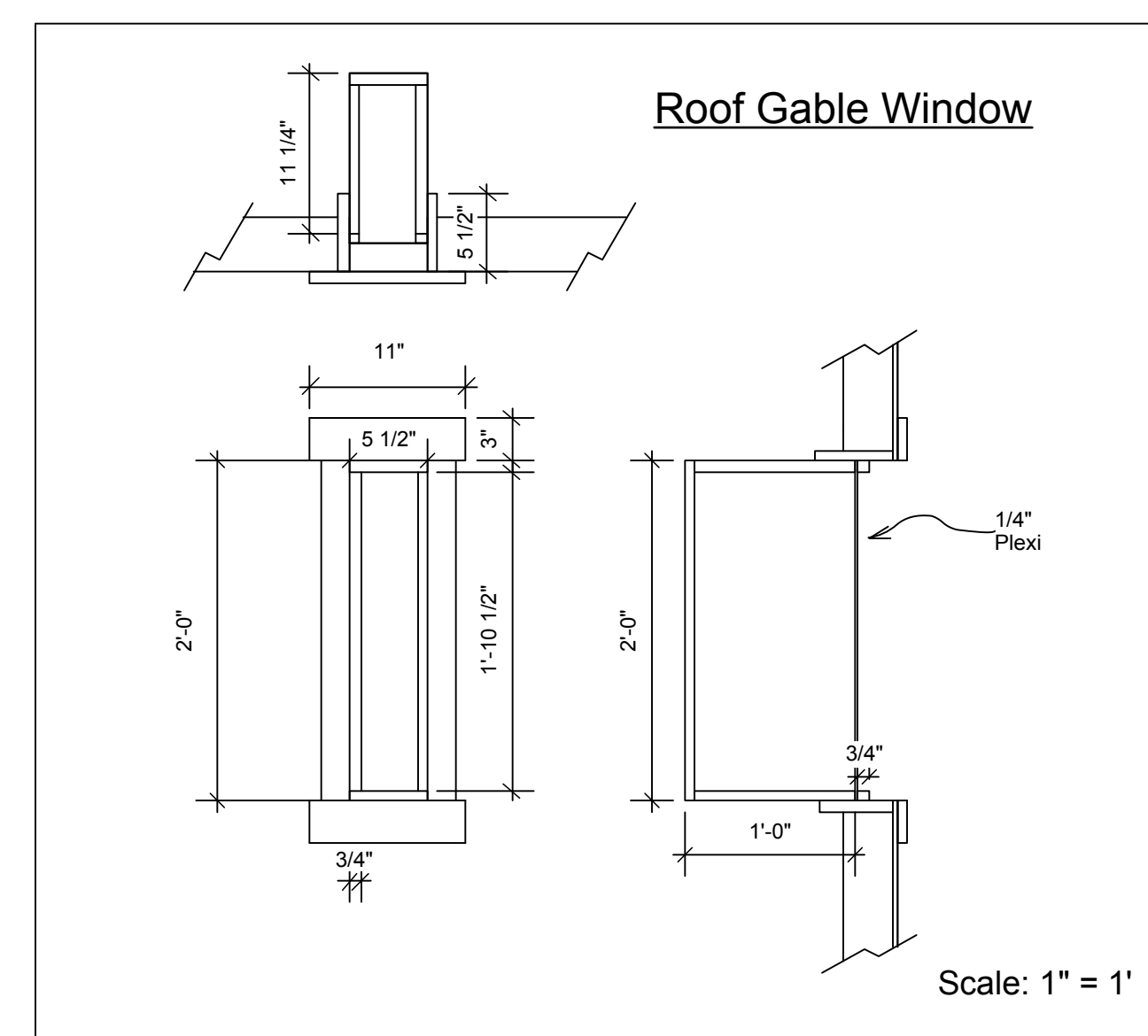
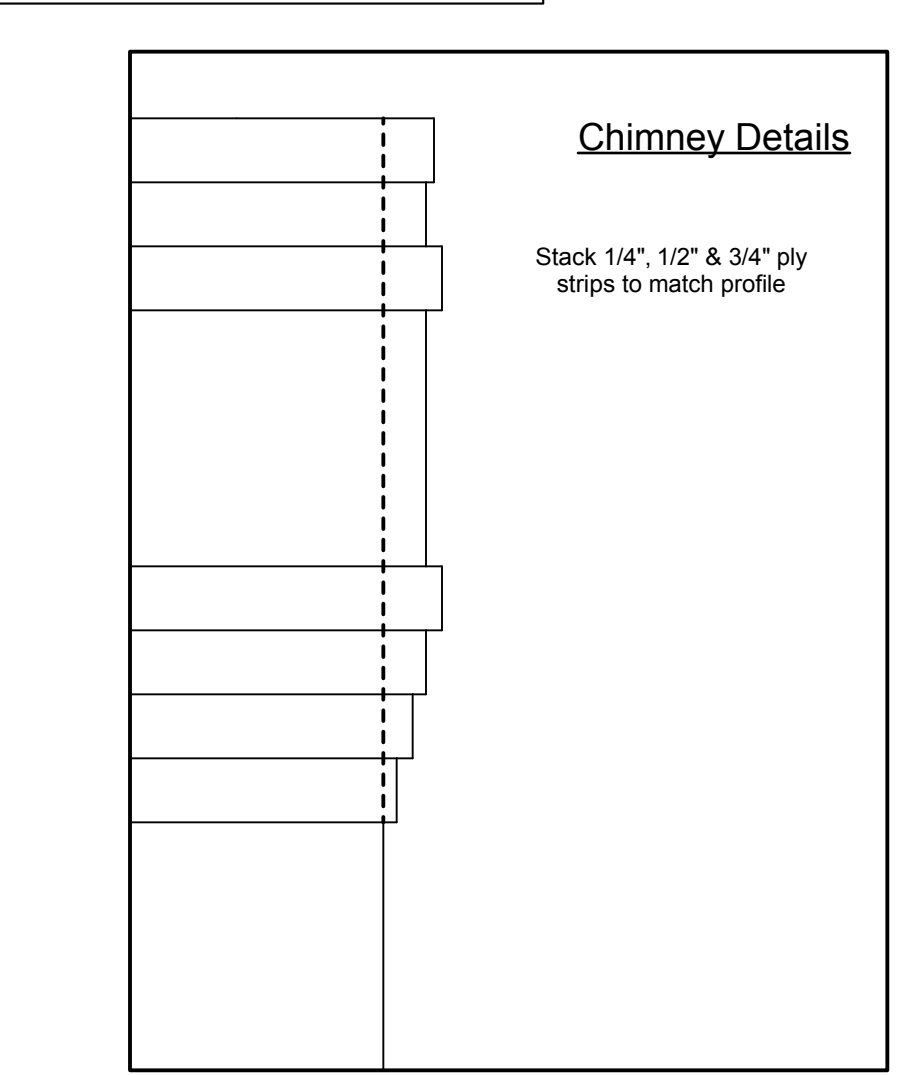
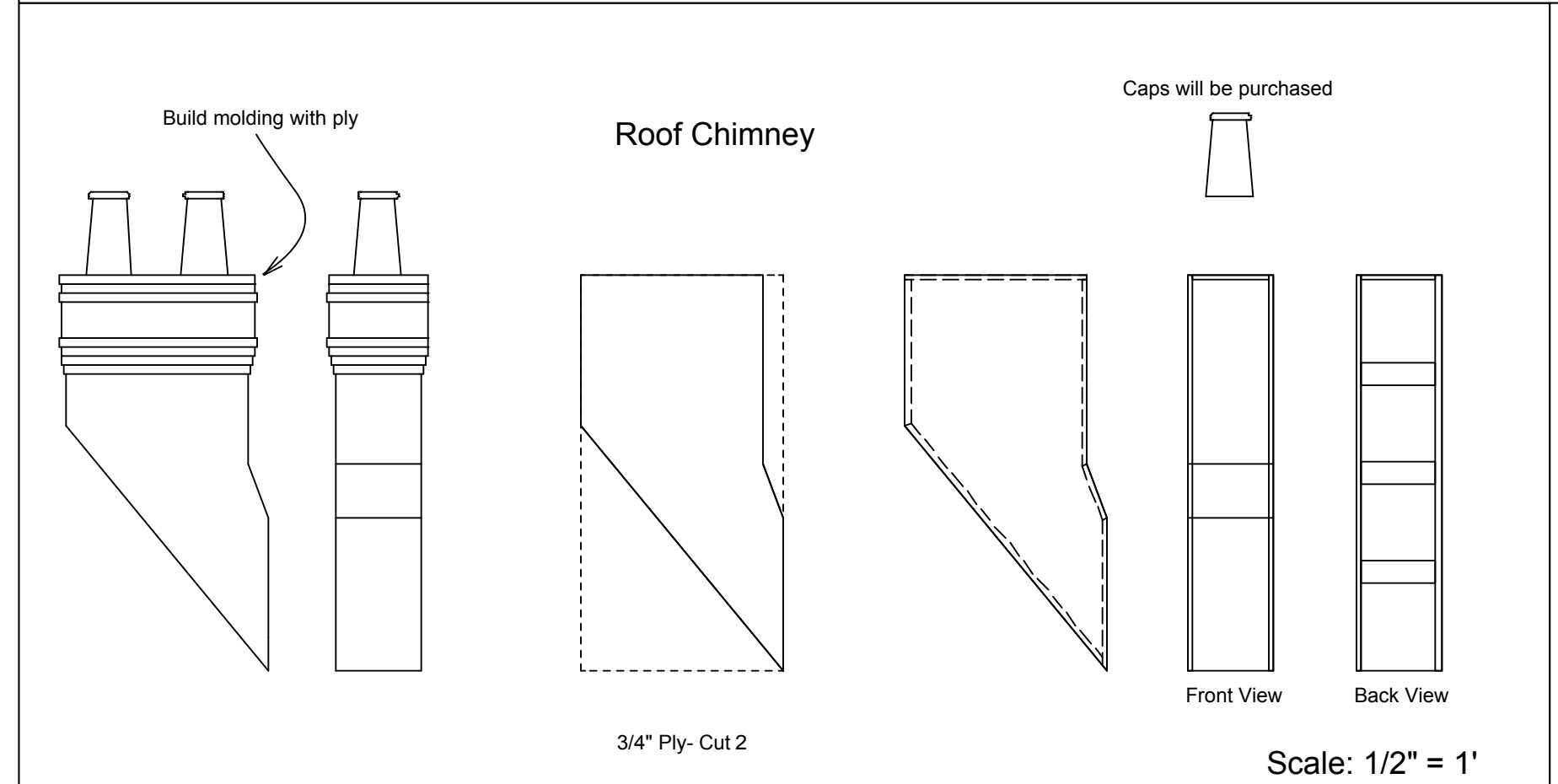
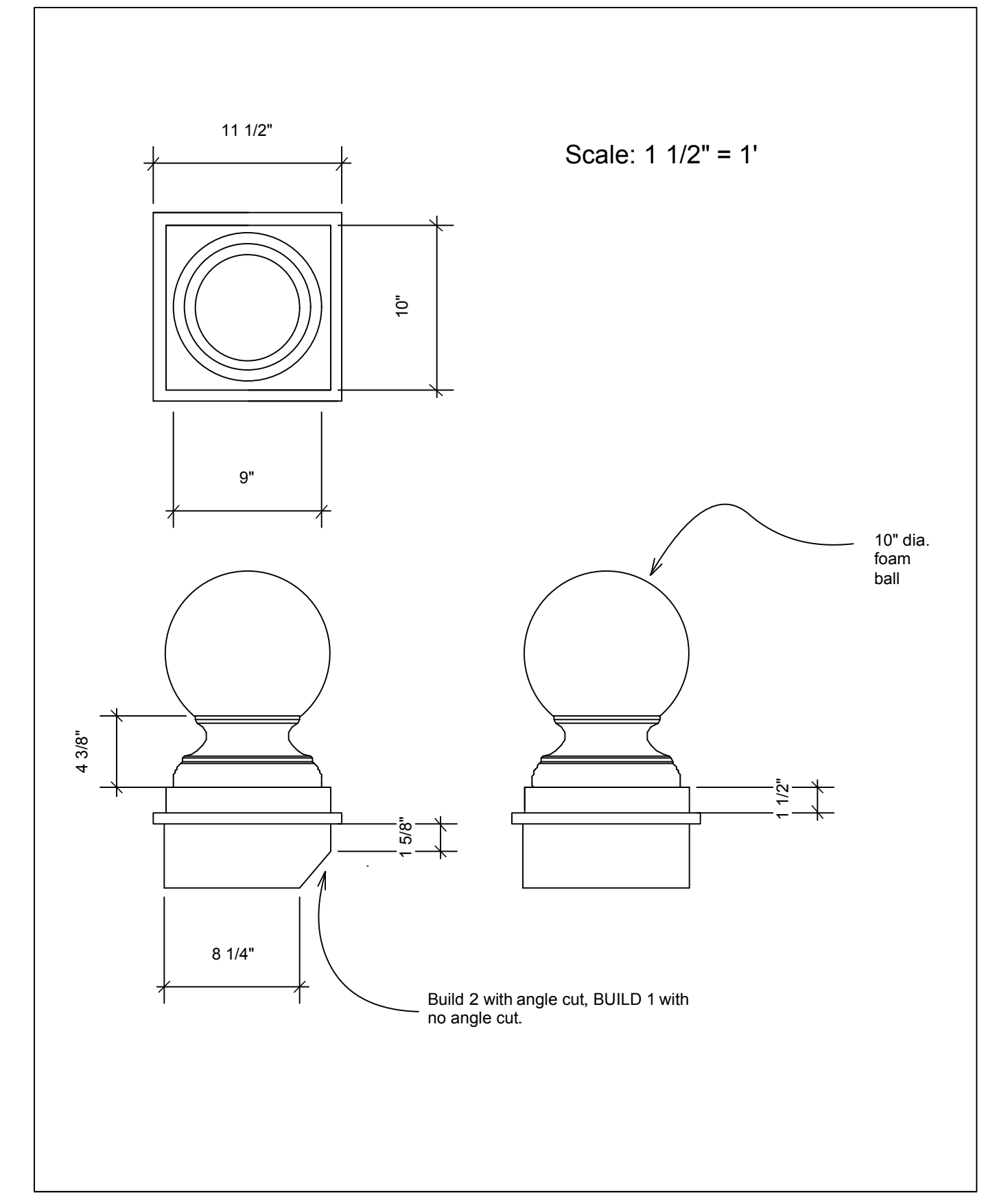
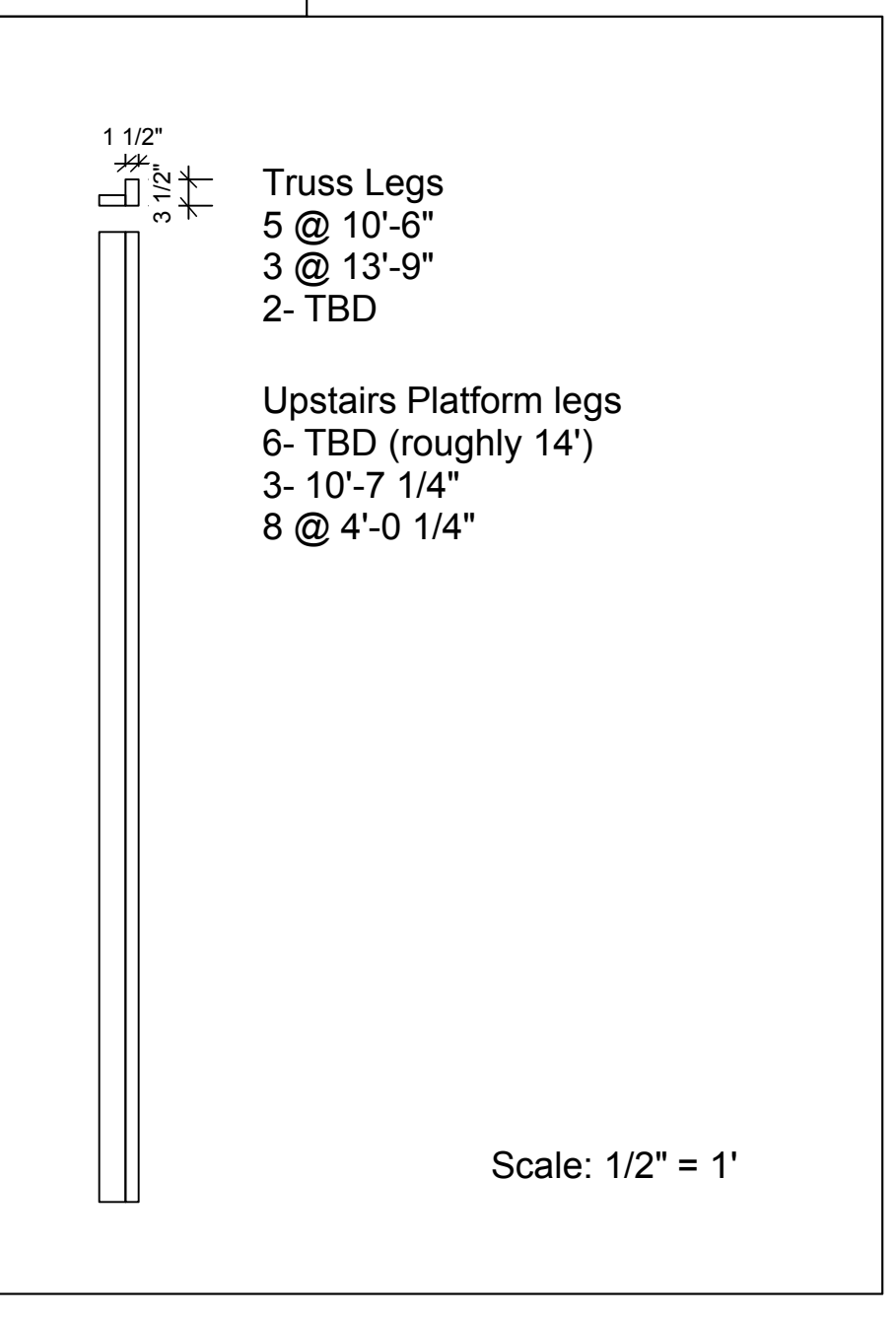
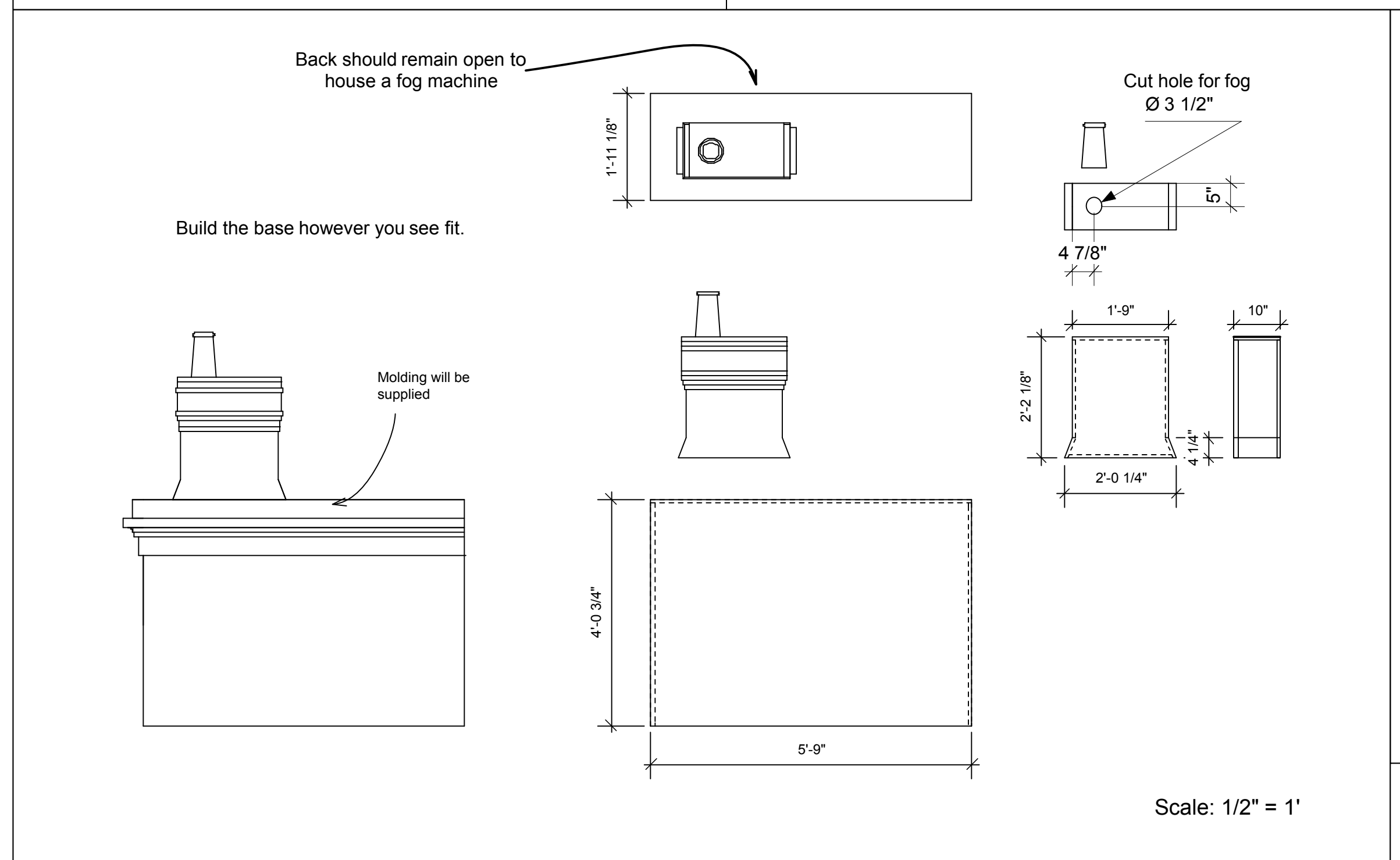
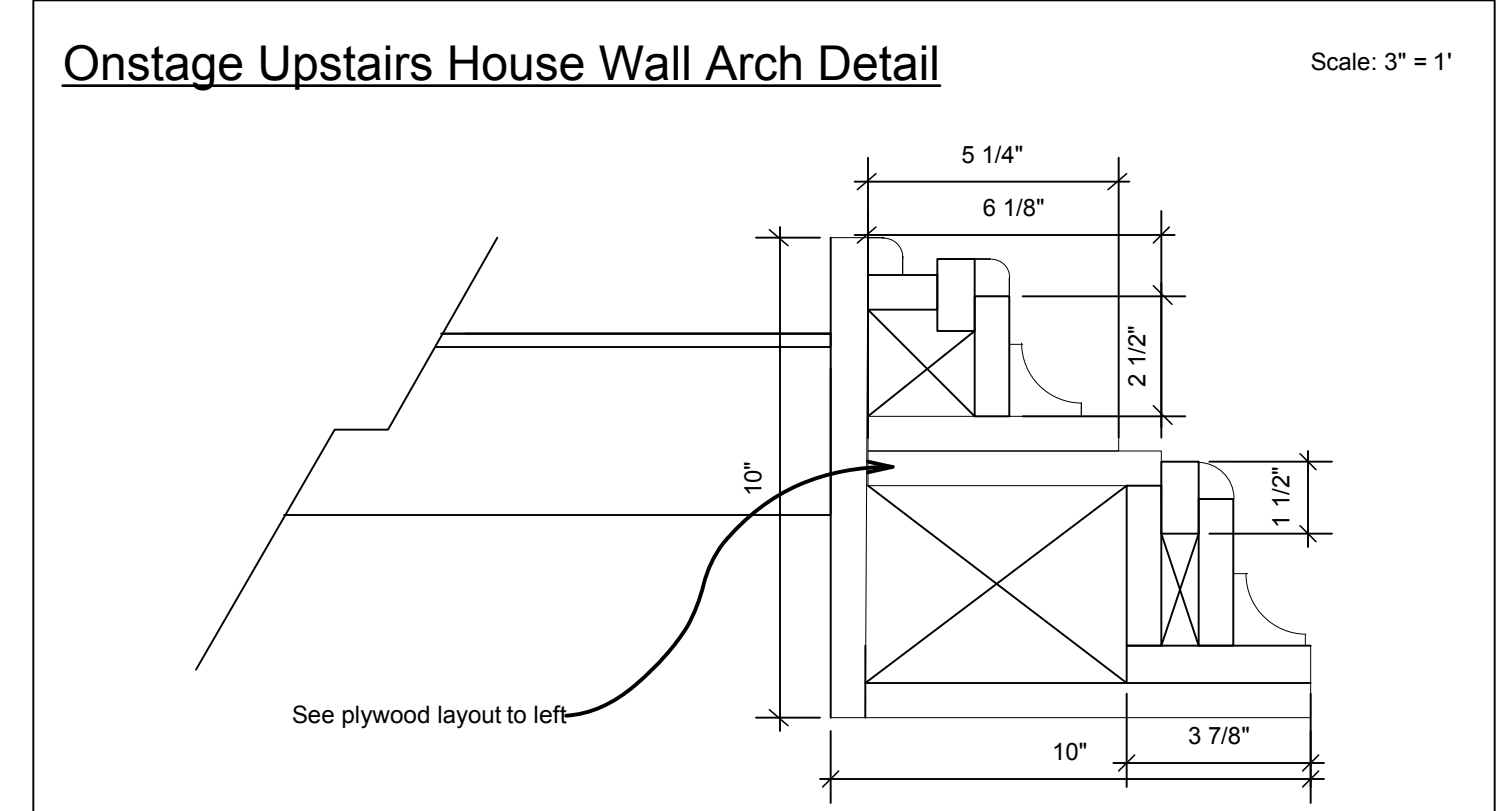
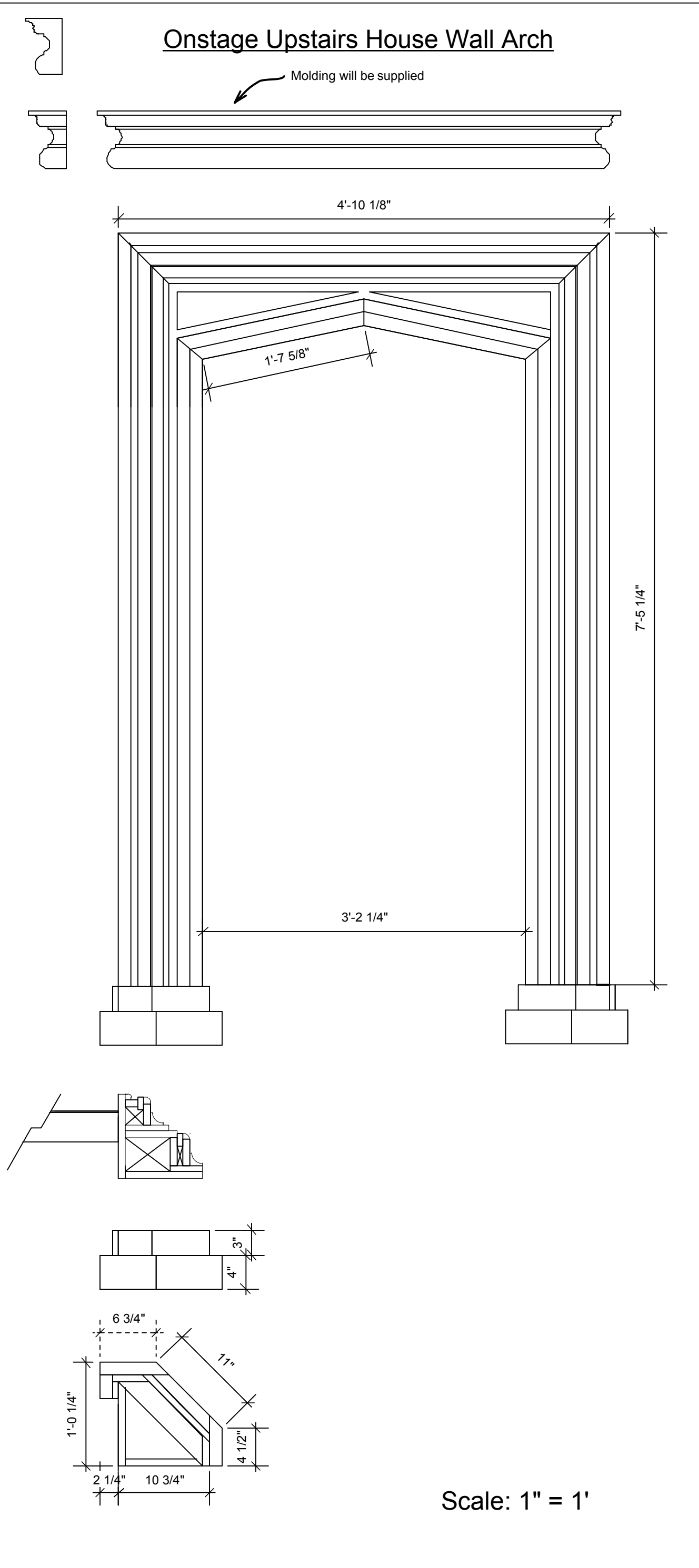
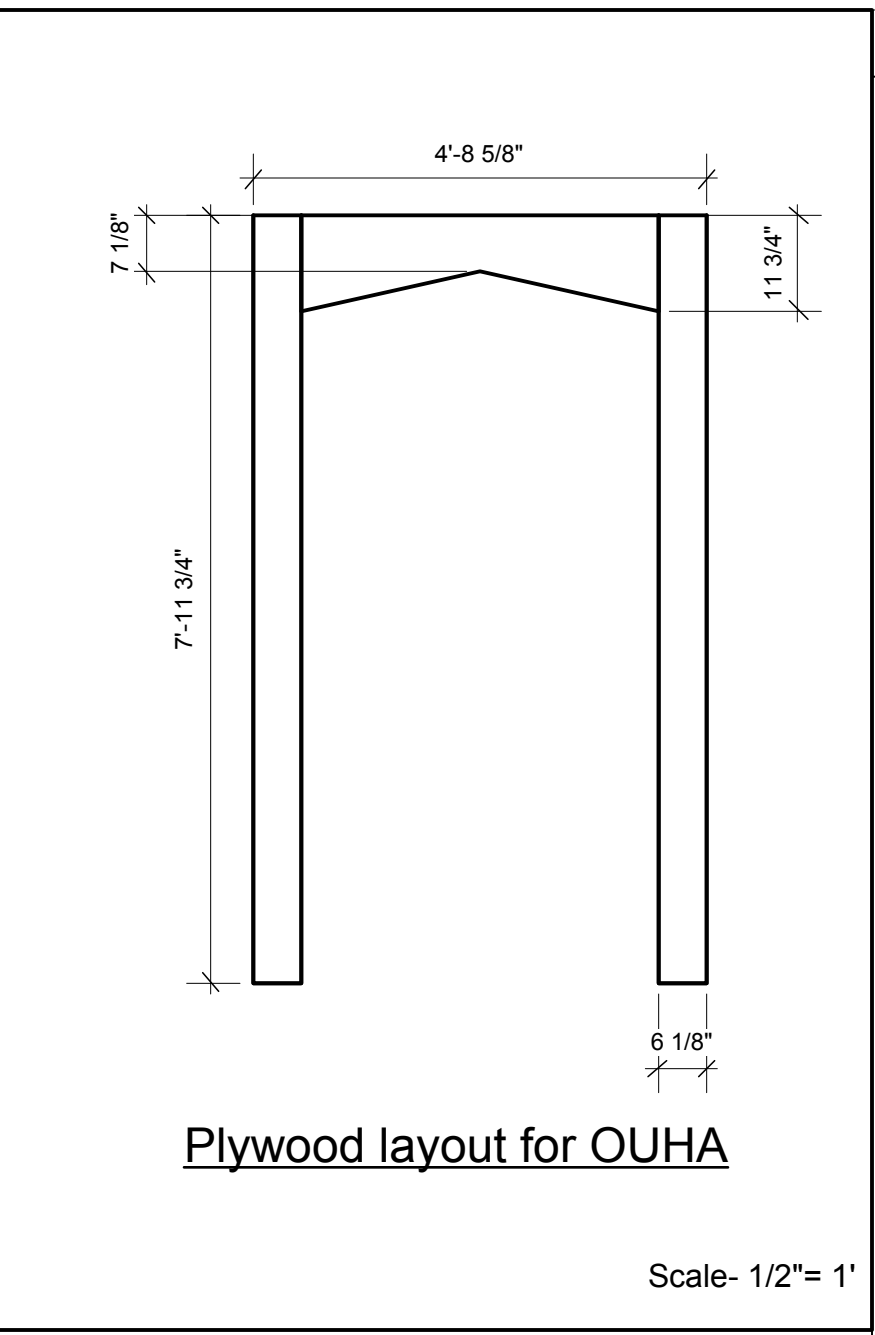
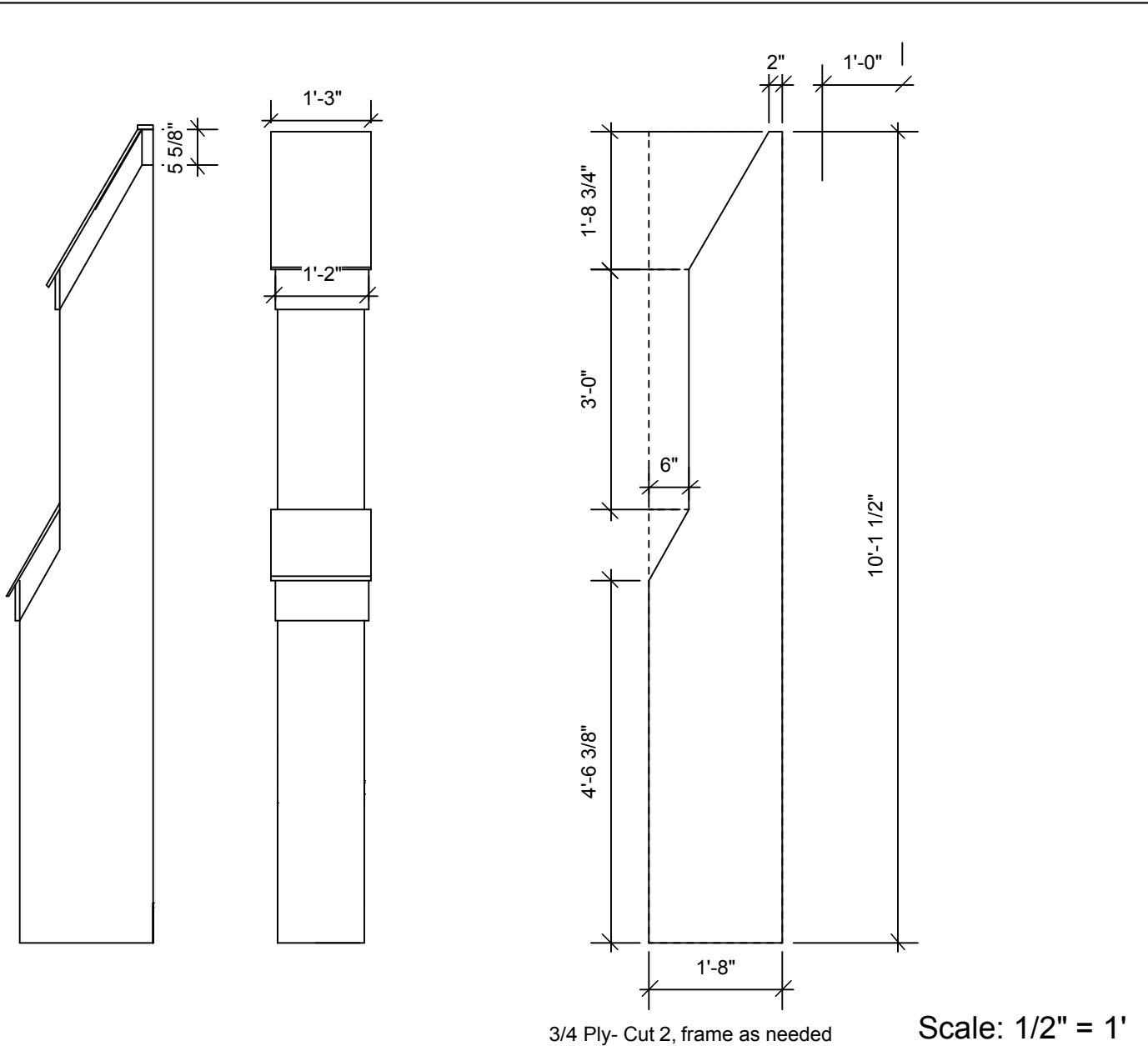
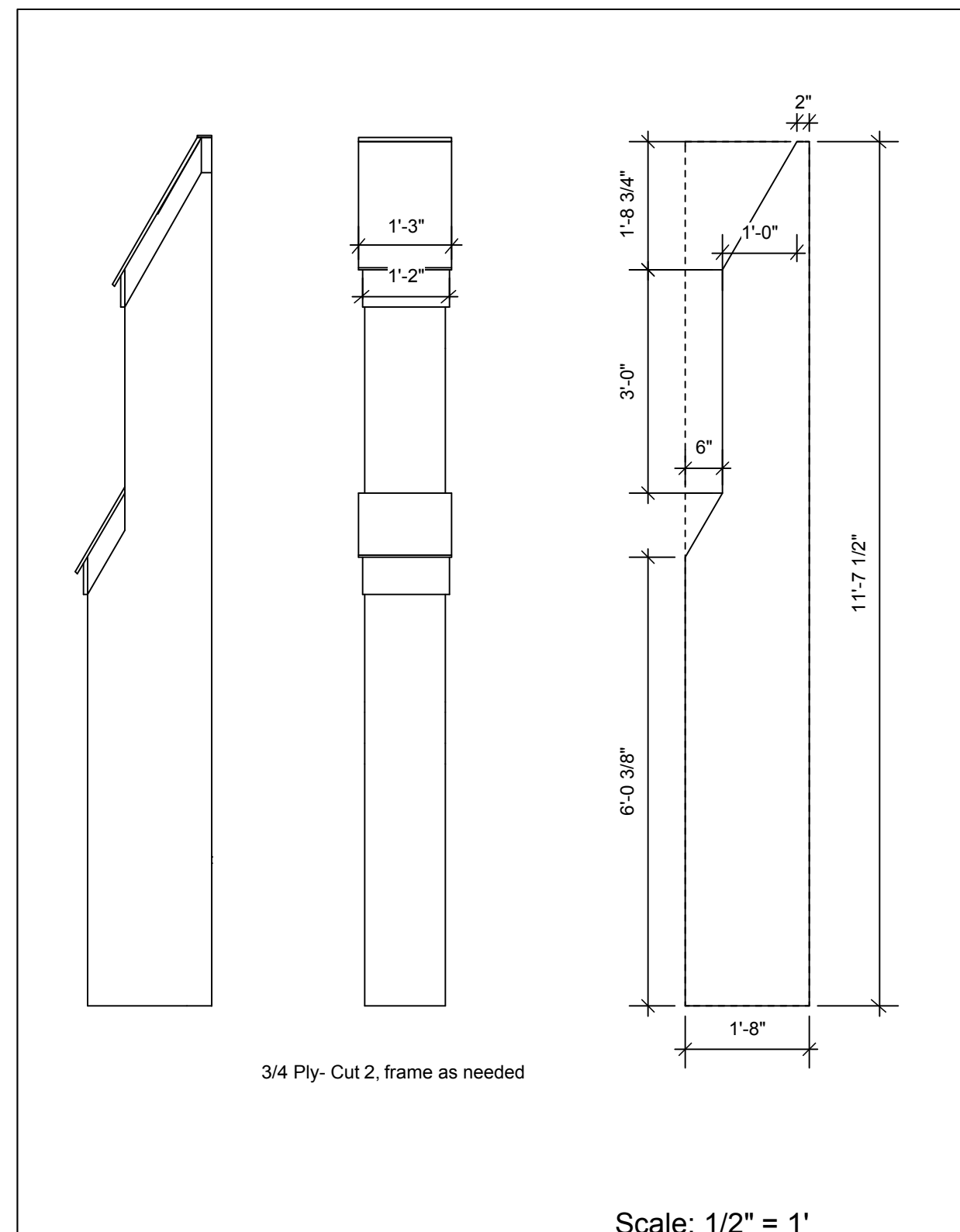
**Kentucky Shakes**

For: Lower Doorway, Upper Window & Cornice

Director: Brantley Dunaway Designer: Jeff Kmiec

Prepared by: Will Griffith Date: 5/5/13

Scale: 1" = 1' Plot: 10 of 18



**Twelfth Night**

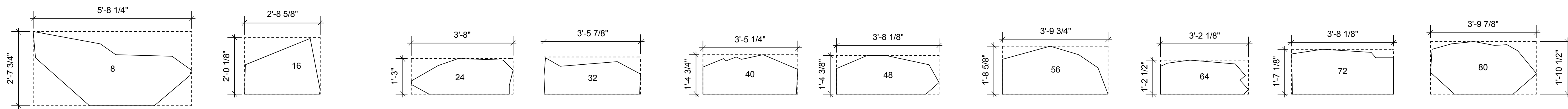
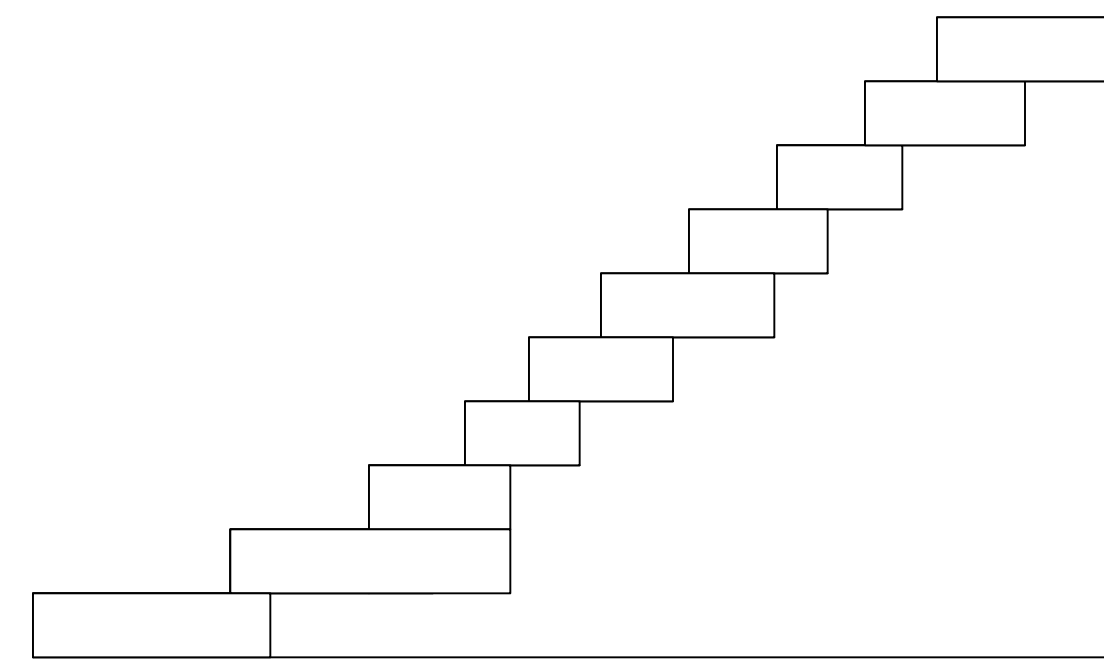
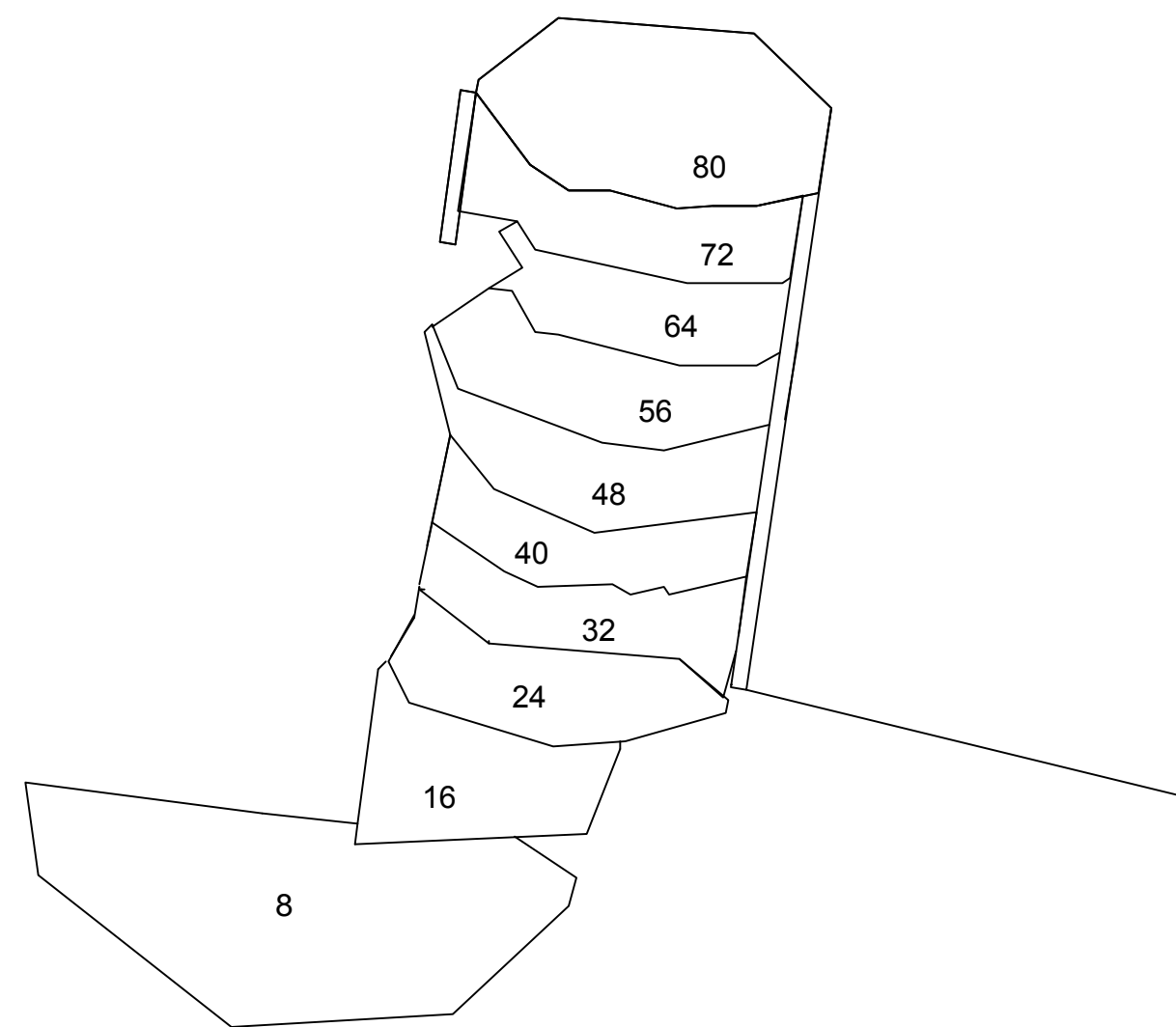
**Kentucky Shakes**

Title: Archway, Buttresses, Upper Window, Etc

Director: Brantley Dunaway Designer: Jeff Kmiec

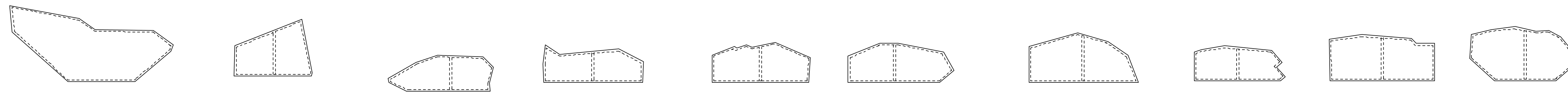
Produced by: Will Griffith 502-314-8722 Date: 5/5/13

Scale: As Noted Per Box Plate: 11 of 18



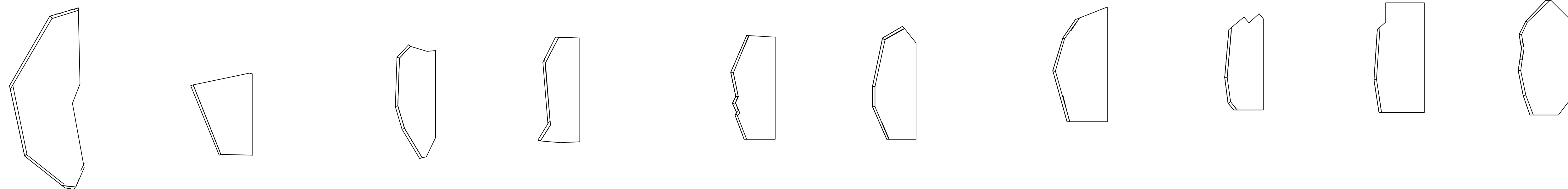
Step Layouts

NOTE: See Plate 8 for cut details.



Stair Framing

NOTE: All Frame parts are 3/4" ply @ 8" wide.



Location of 1" Blue Foam after step assembly.

**Twelfth Night**

**Kentucky Shakes**

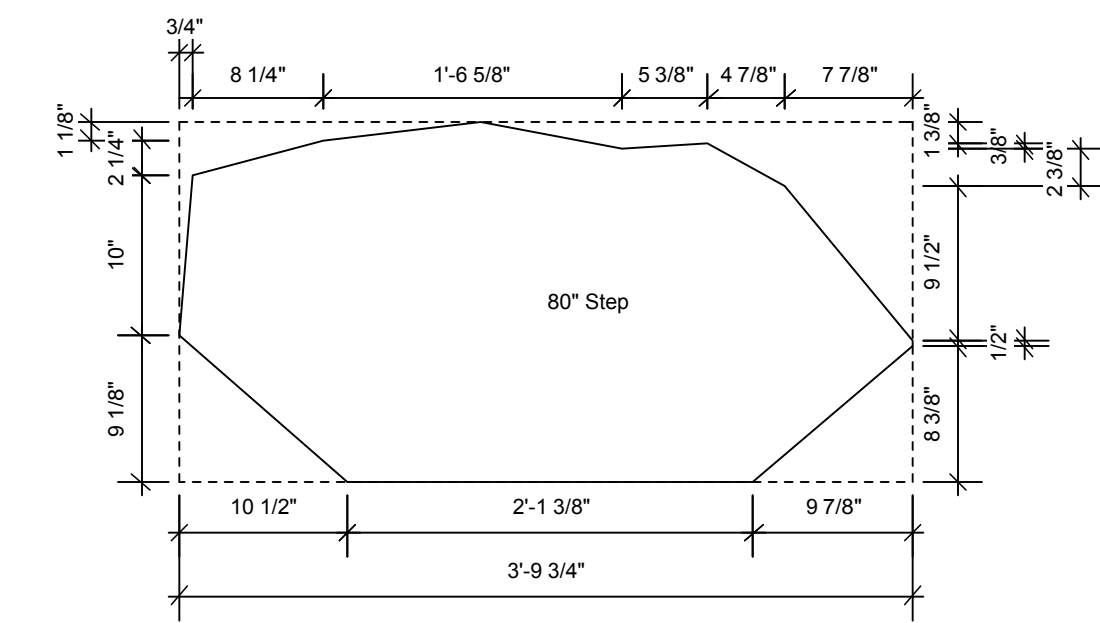
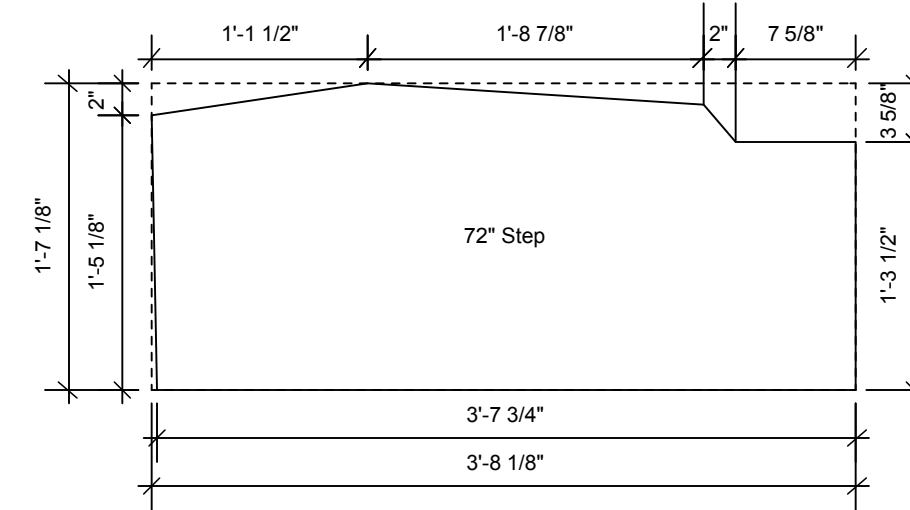
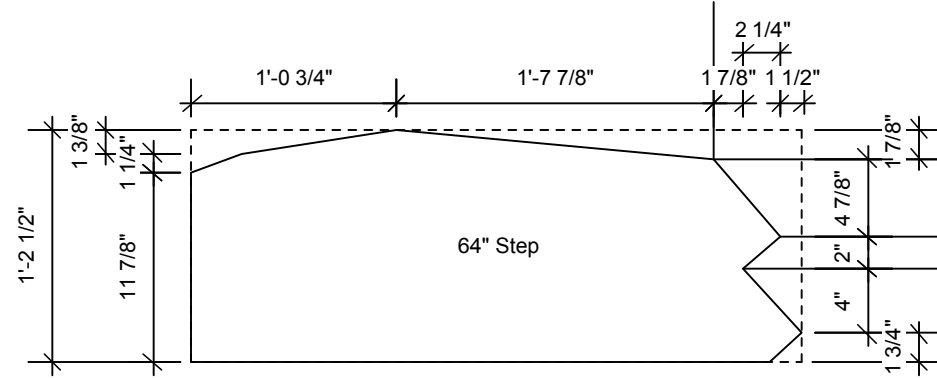
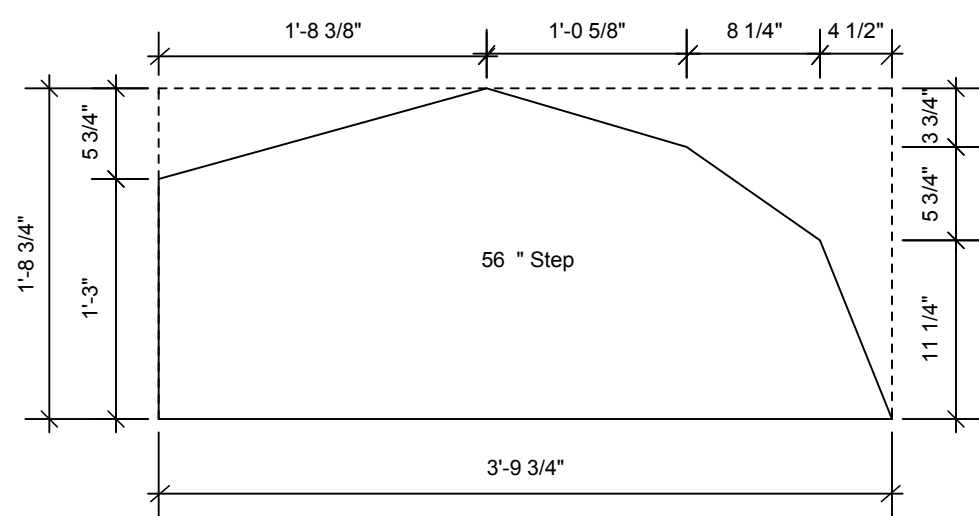
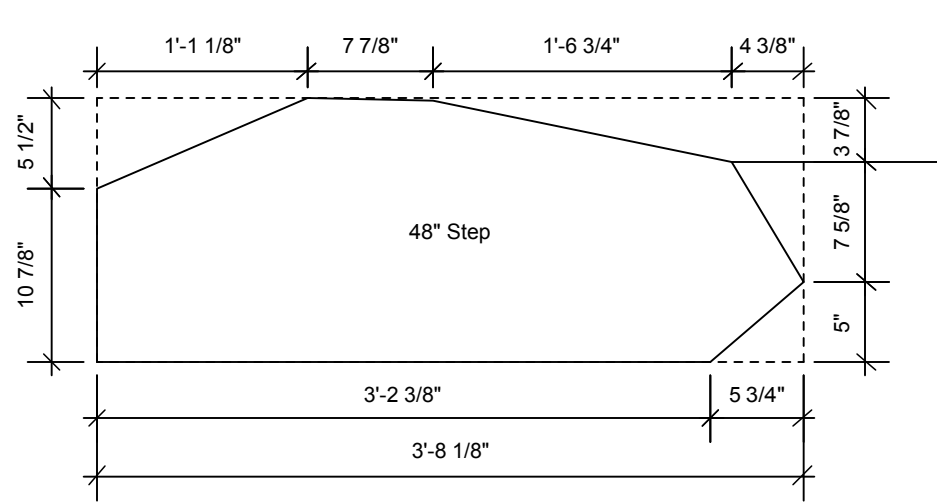
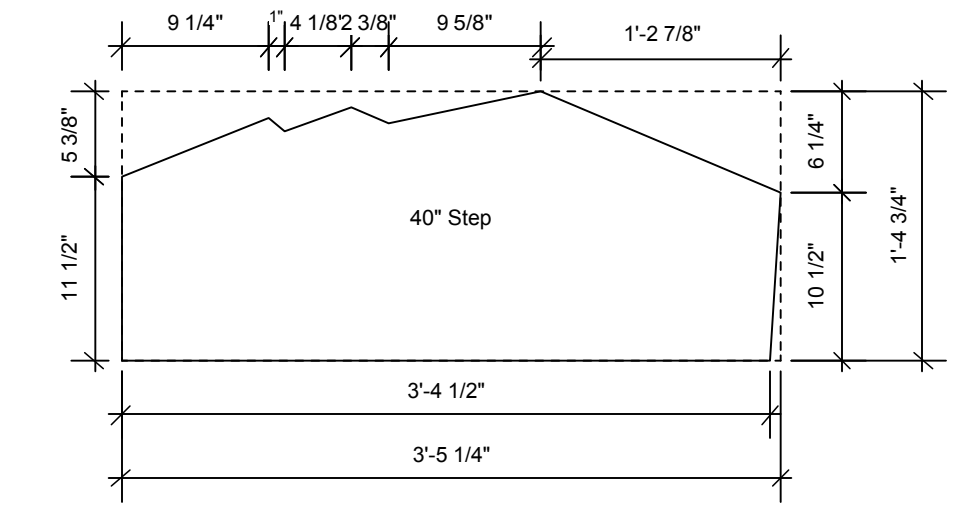
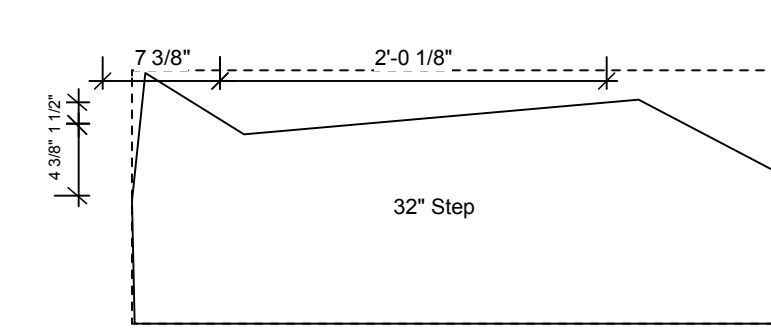
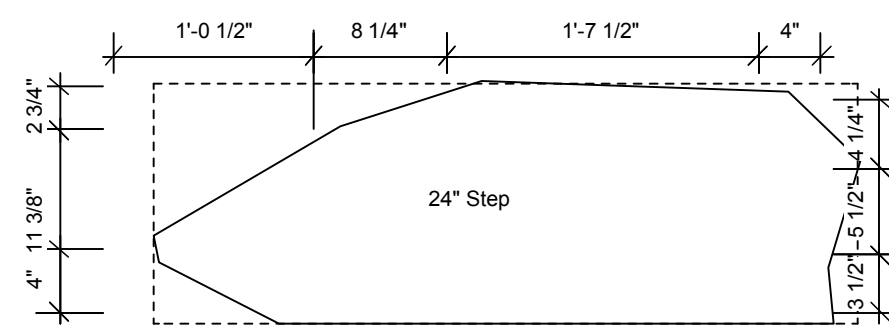
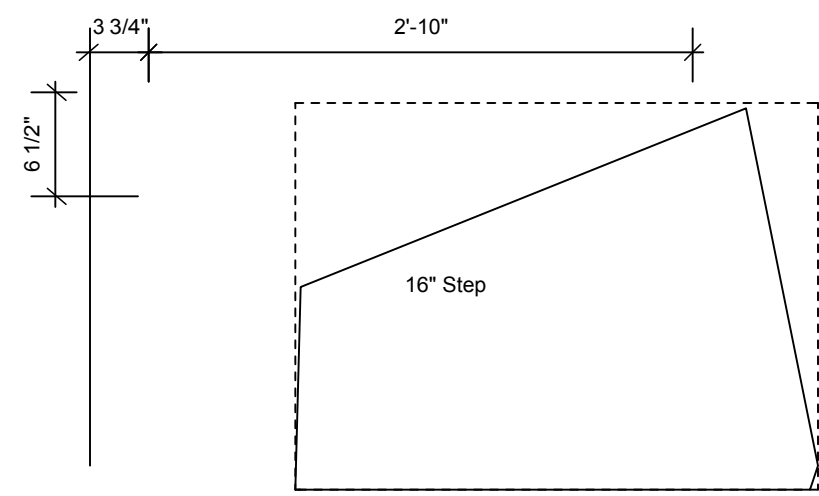
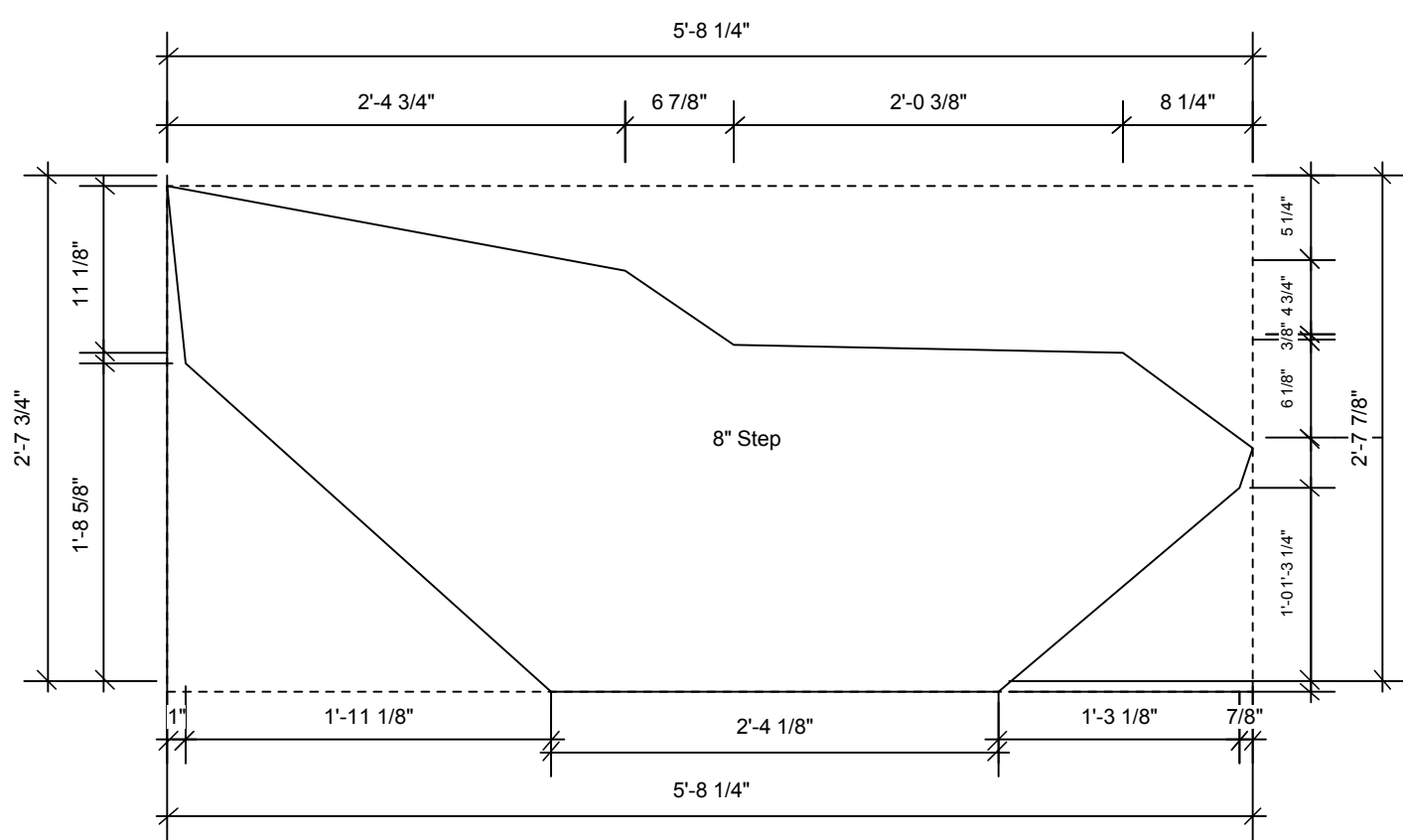
Title: **Stairs**

Director: **Brantley Dunaway** Designer: **Jeff Kmiec**

Prepared by: **Will Griffith** 502-314-8722 Date: **5/5/13**

Scale: **1/2" = 1'** Plate: **12**

Notes: **See Plate 8 for step dimensions** of **18**



**Twelfth Night**

**Kentucky Shakes**

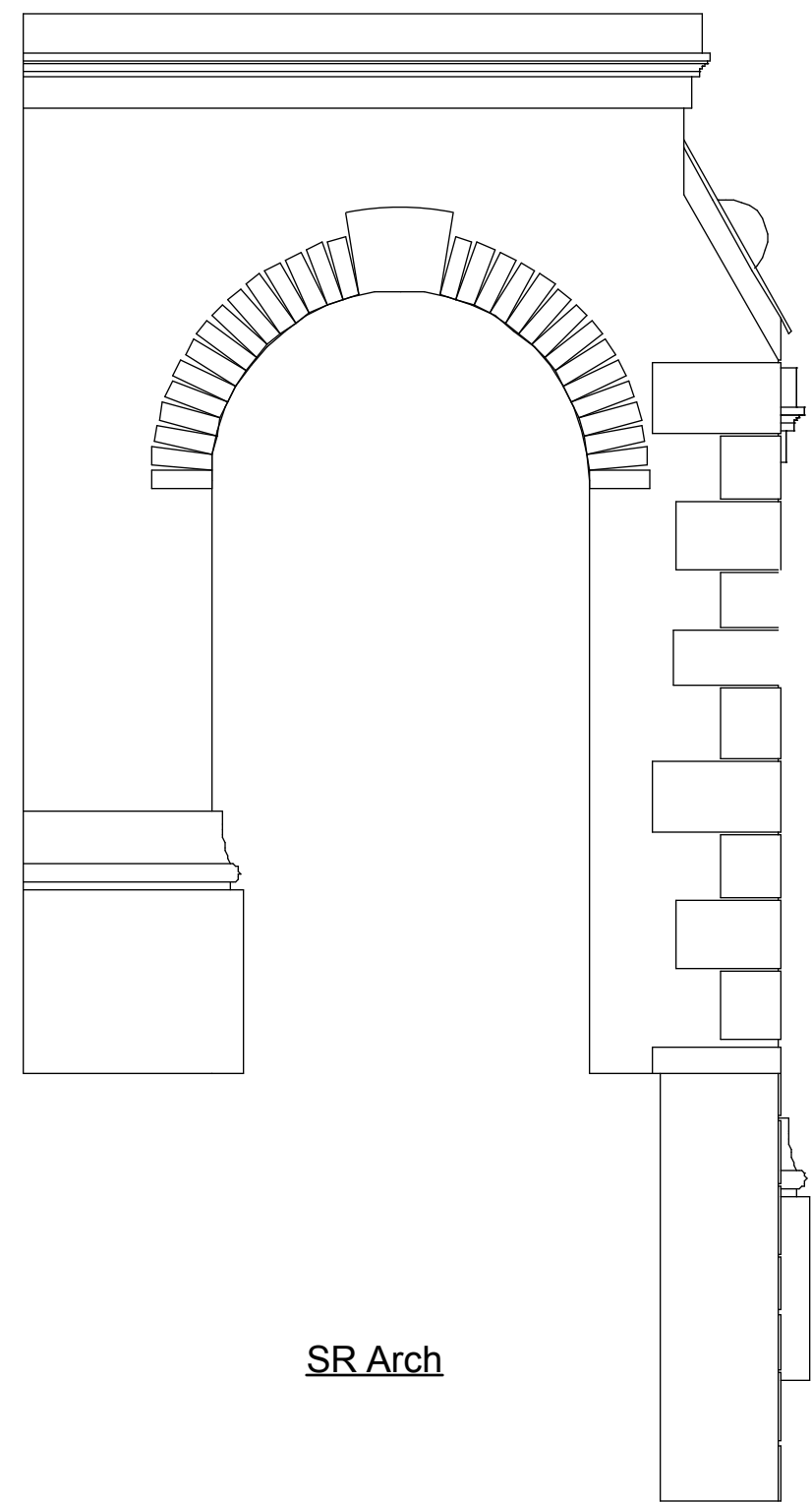
Title: **Stair Steps**

Director: **Brantley Dunaway** Designer: **Jeff Kmiec**

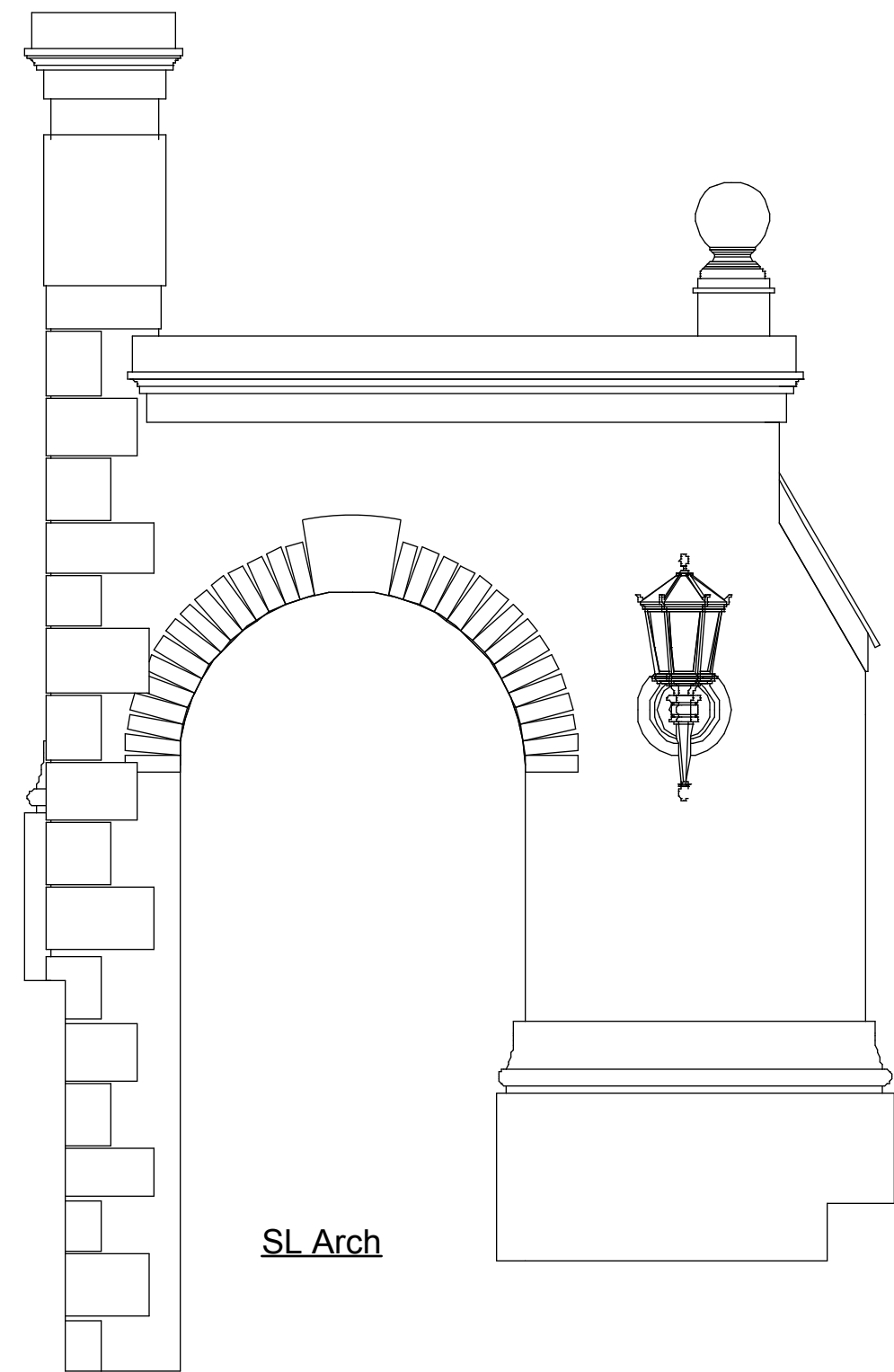
Prepared by: **Will Griffith** Date: **5/5/13**  
502-314-8722

Scale: **1" = 1'** Plate: **13**

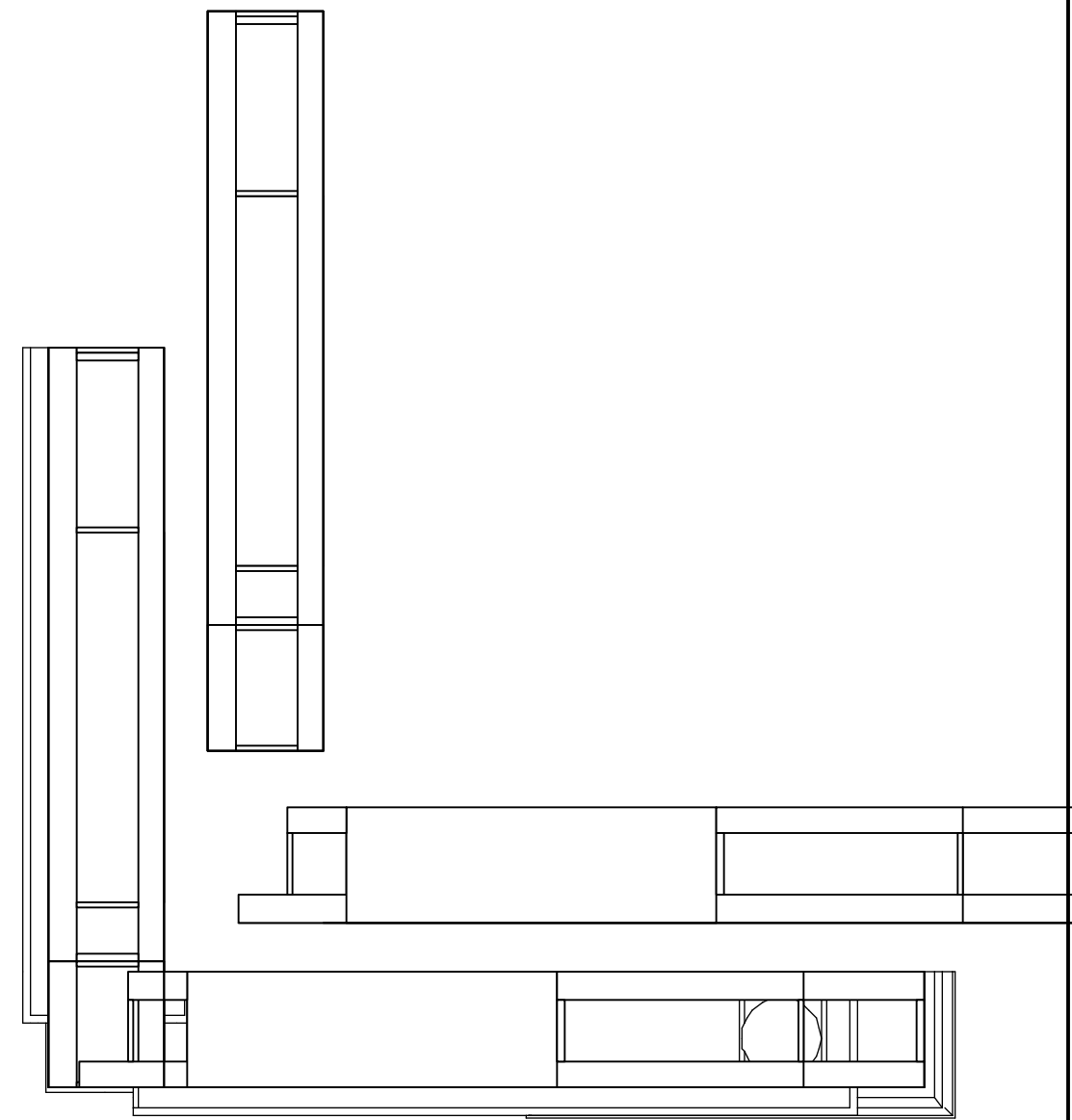
Notes:   
 of **18**



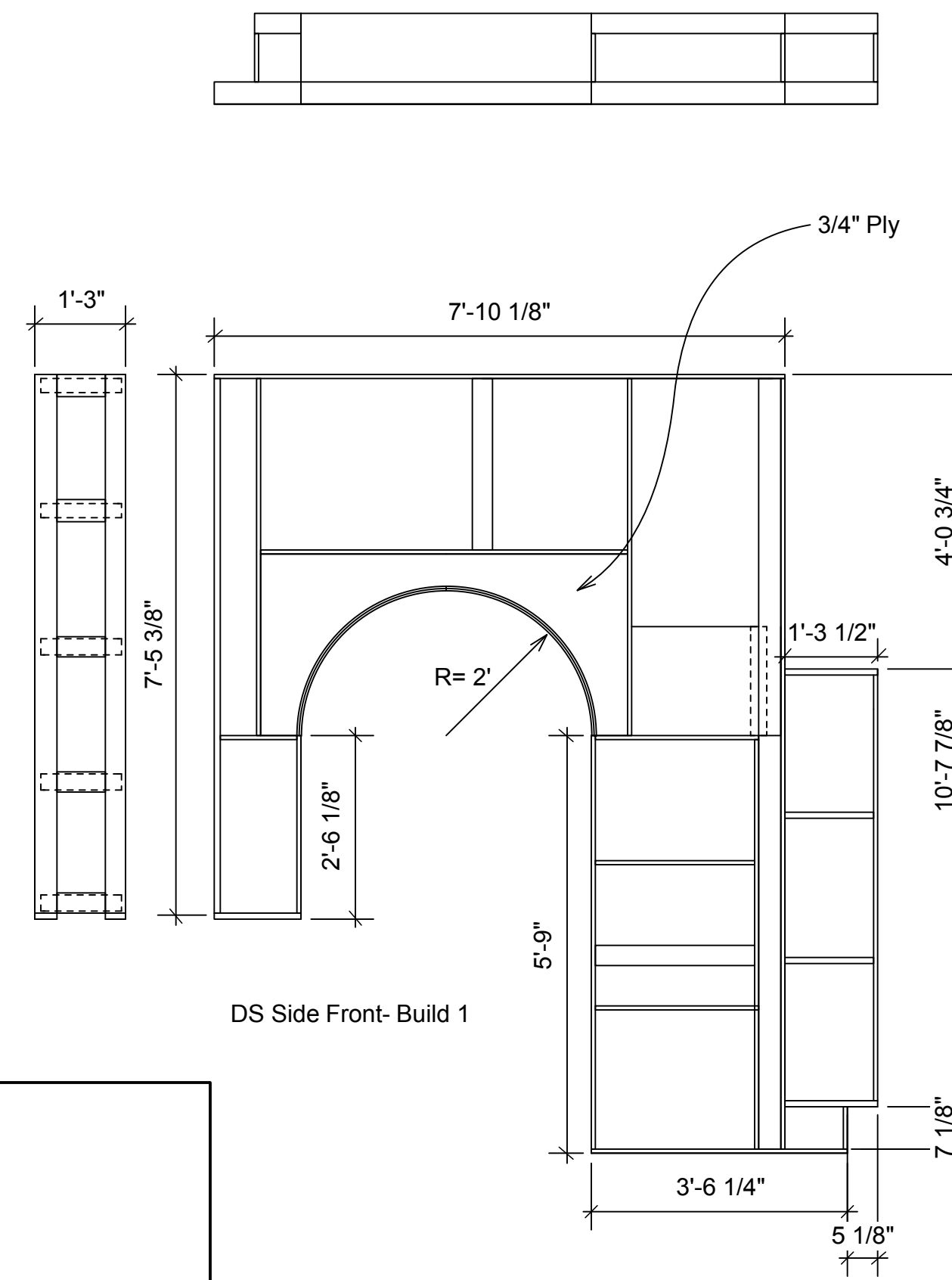
SR Arch



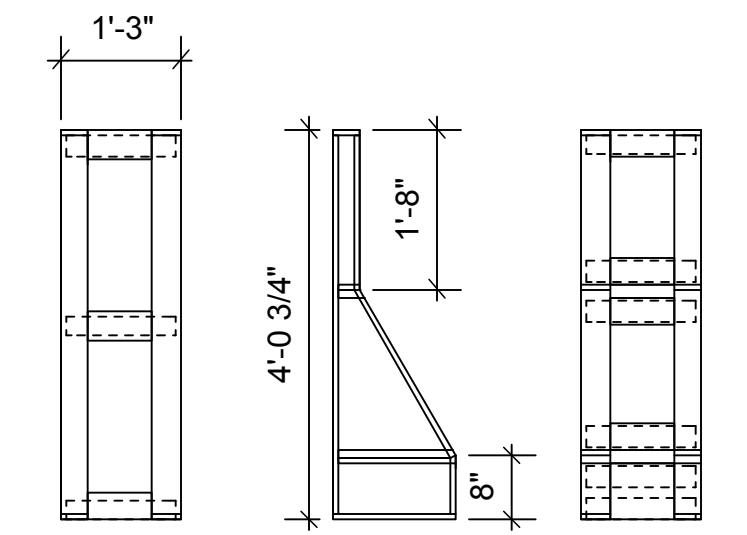
SL Arch



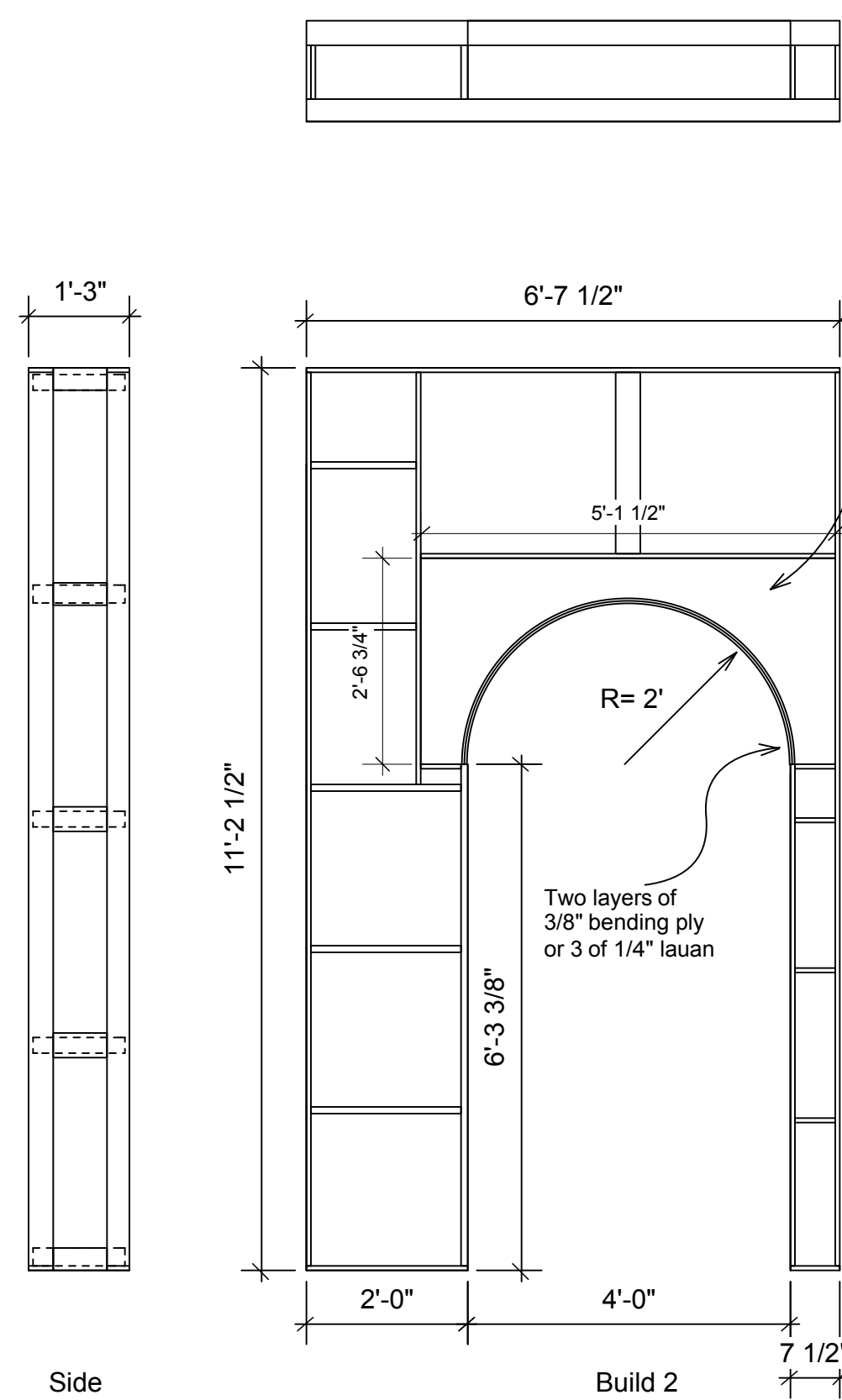
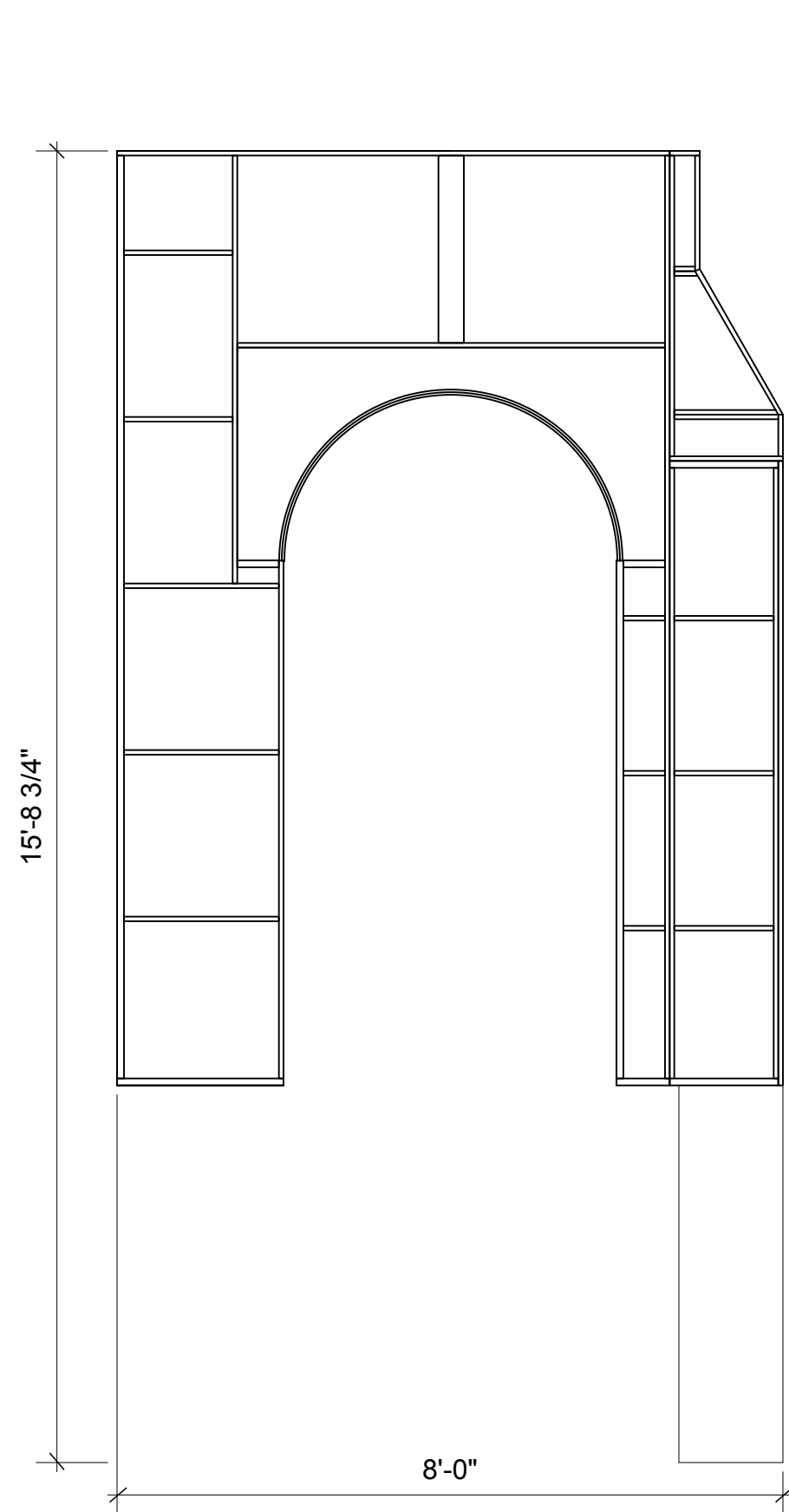
SL Arch



DS Side Front-Build 1



SR Arch



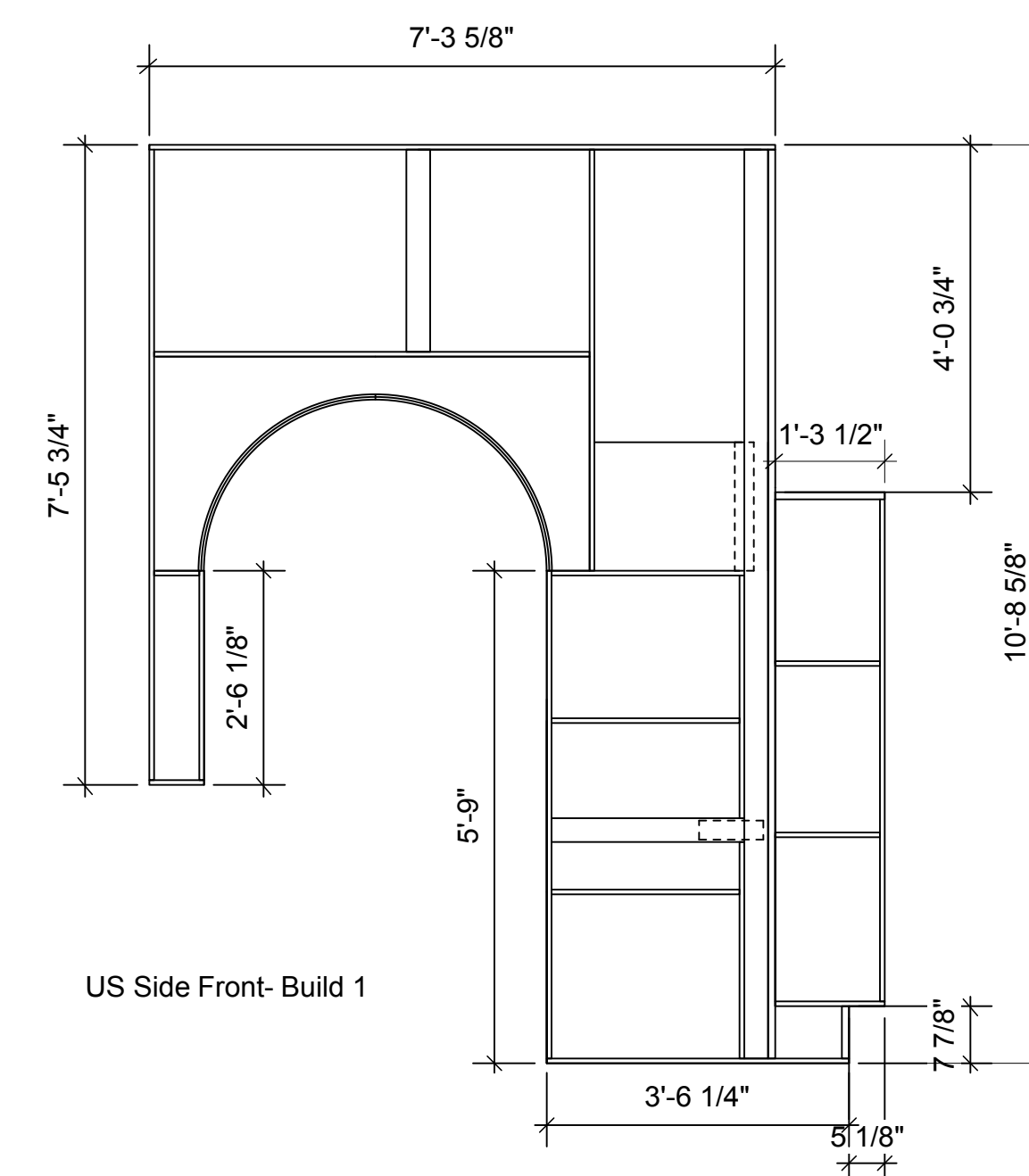
Side

Build 2

Side

Build 2 frames and join as per side views

Two layers of 3/8" bending ply or 3 of 1/4" lauan



US Side Front-Build 1

**Twelfth Night**

**Kentucky Shakes**

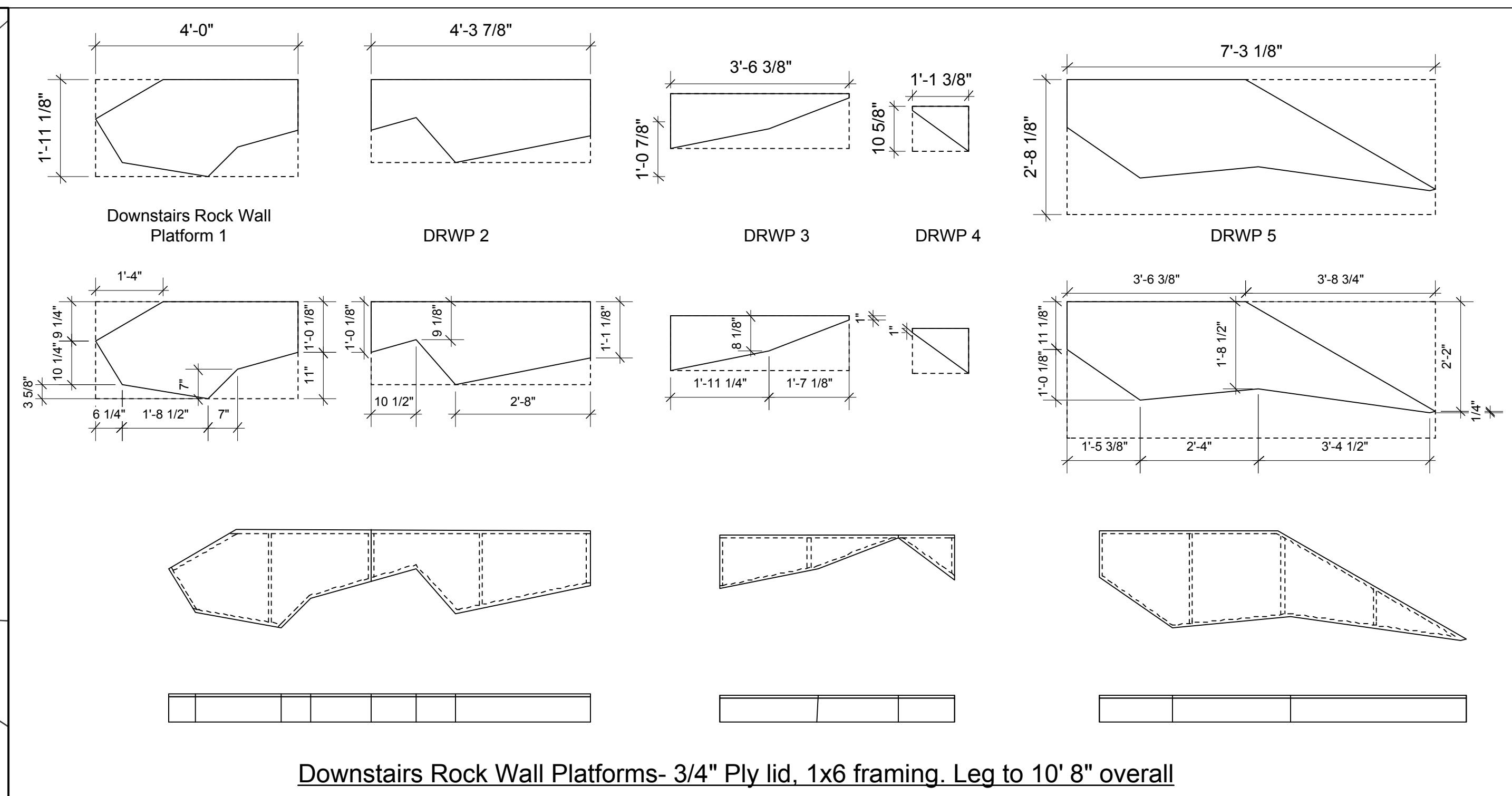
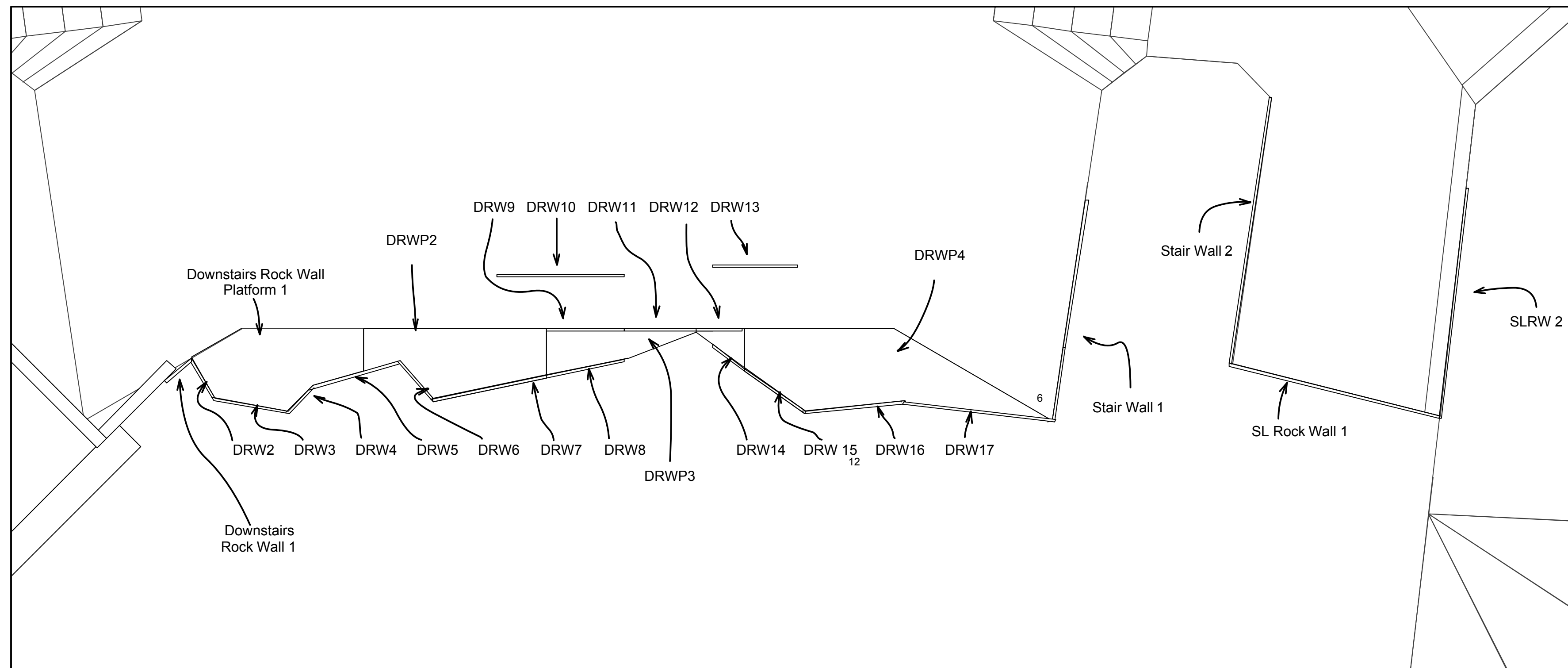
Title: SL Arches

Director: Brantley Dunaway Designer: Jeff Kmiec

Prepared by: Will Griffith Date: 5/5/13  
502-314-8722

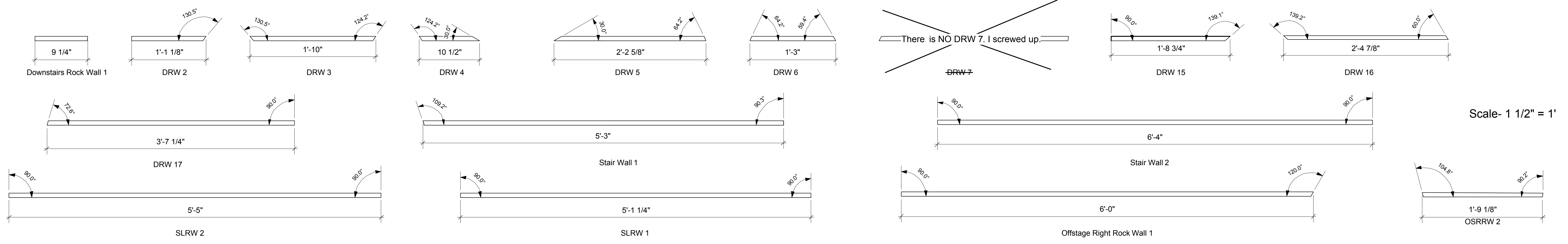
Scale: 1/2" = 1' Plate: 14

Notes: of 18

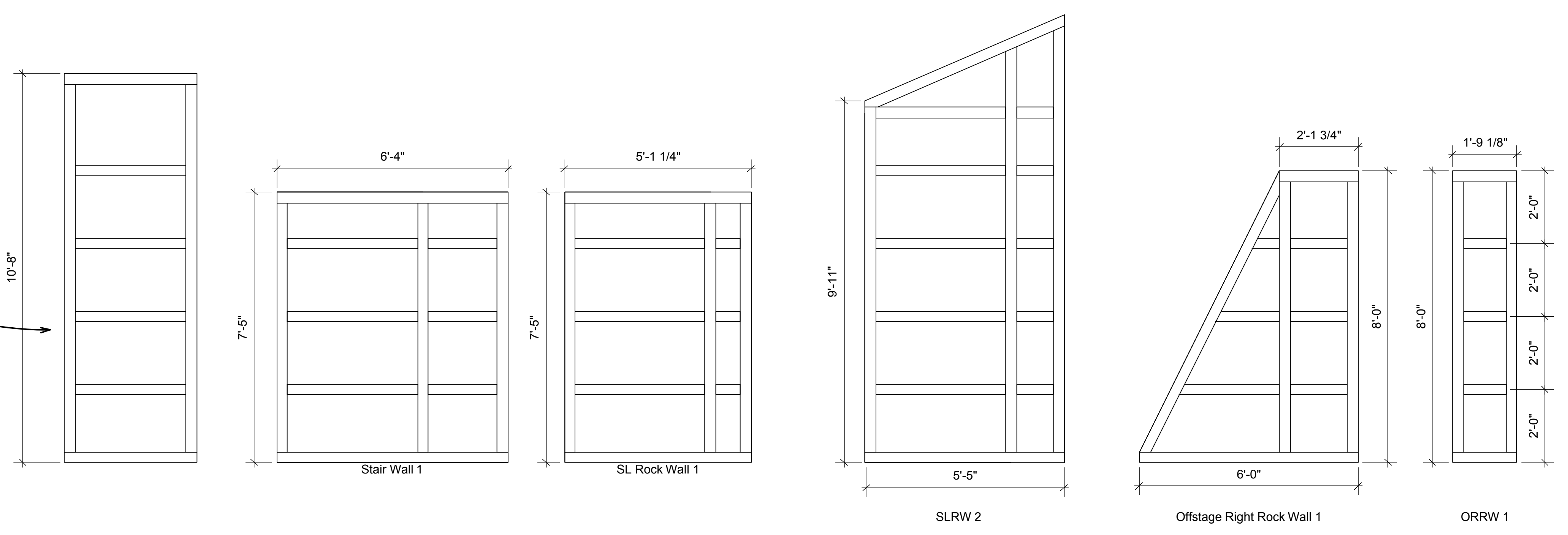


Note: All measurements are for total length before the angles are cut. Additionally, all views are top views (the front of the flat faces down).

**Downstairs Walls- Top View with cut angles**



This is an example of DRW 1-7 and DRW 15-17. Use the drawings above to find cut angles and measurements.

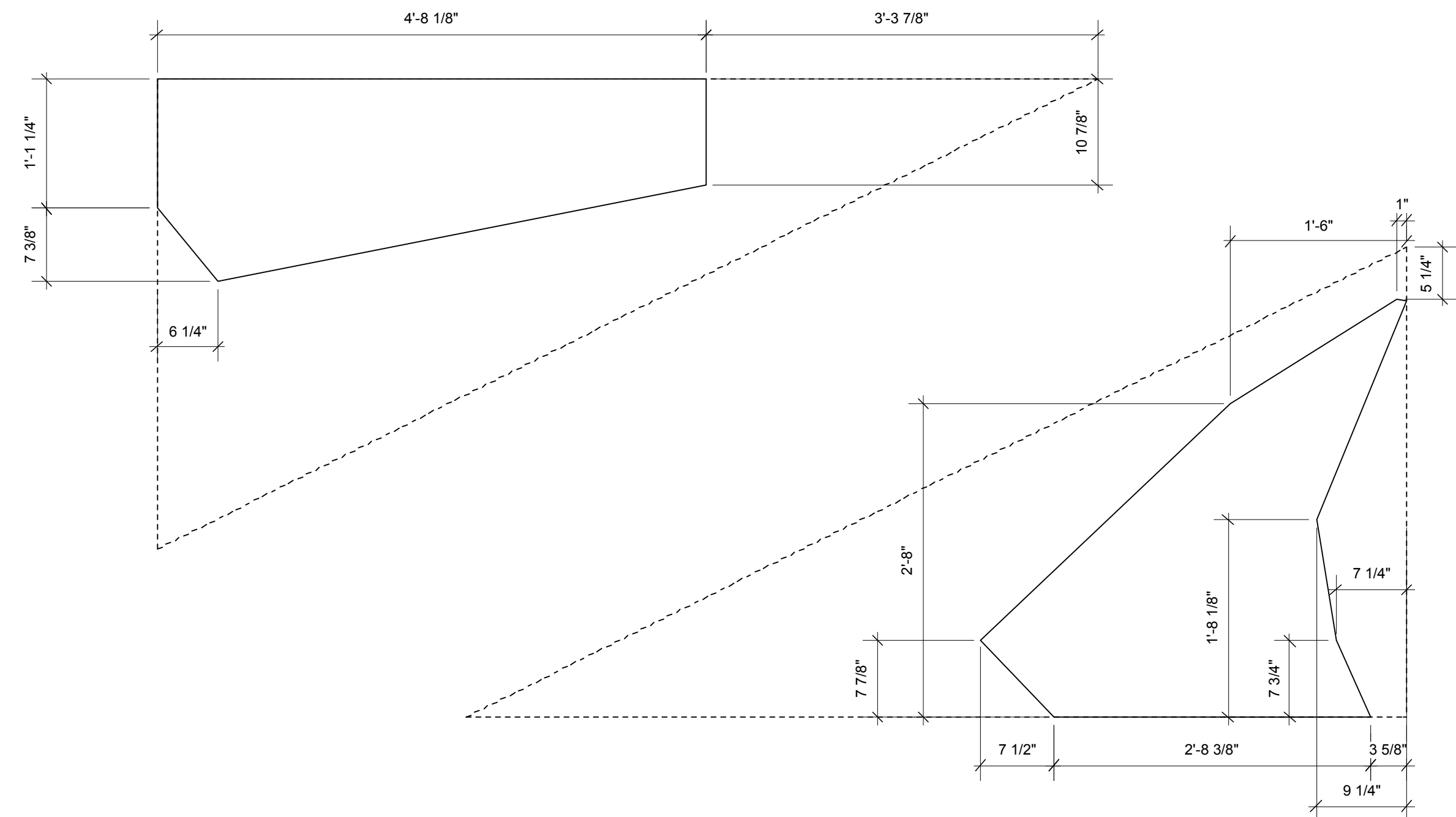


<b>Twelfth Night</b>	
<b>Kentucky Shakes</b>	
Title: Downstairs Walls	
Director: Brantley Dunaway	Designer: Jeff Kmiec
Prepared by: Will Griffith 502-314-8722	Date: 5/5/13
Scale: 1/2"=1' or as noted	Page: <b>15</b> of <b>18</b>
Notes:	

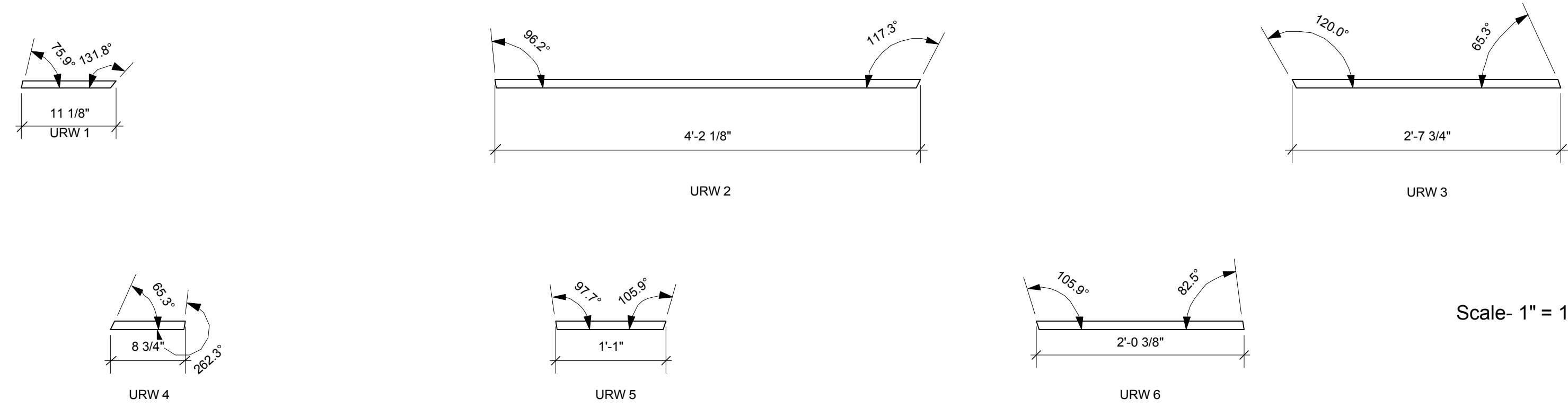
**Upper Rock Wall Header Layout**

Scale- 1" = 1'

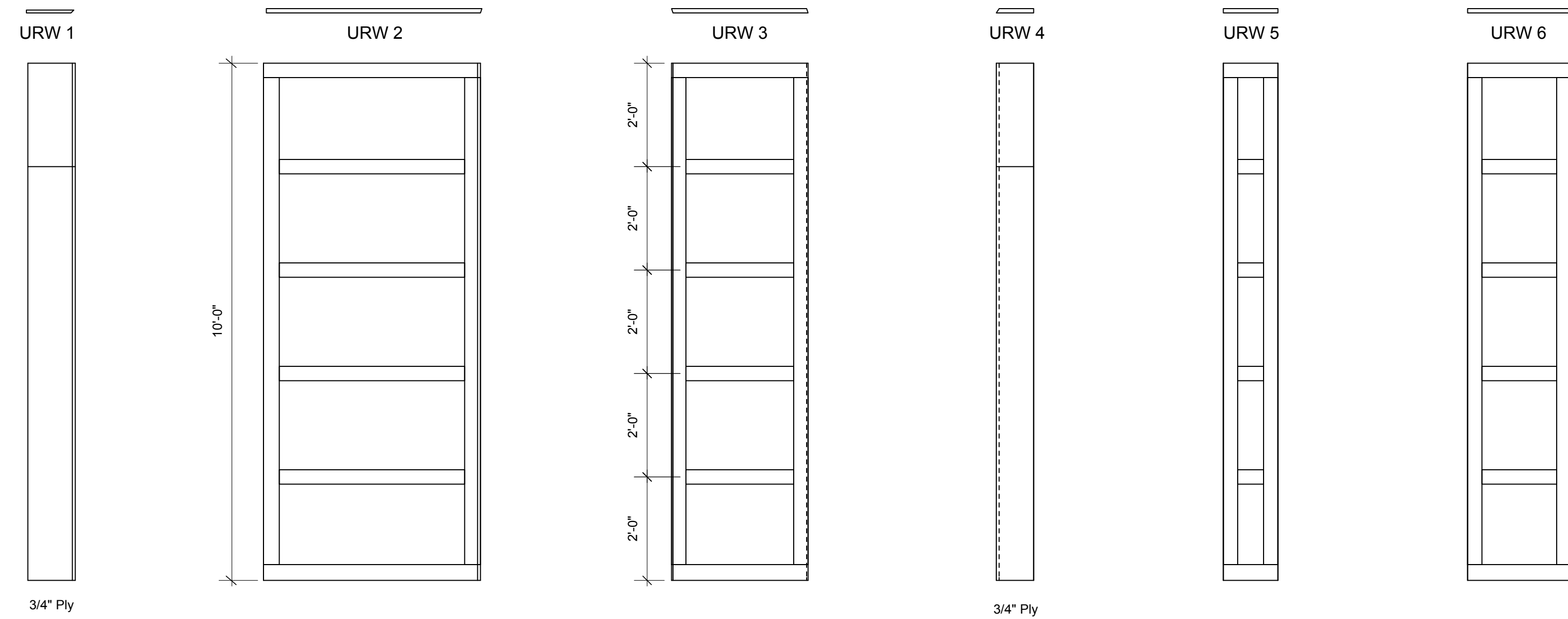
Build From 1/2" ply, scab the seams. They will attach to the Upper Rock Walls and the building structure.



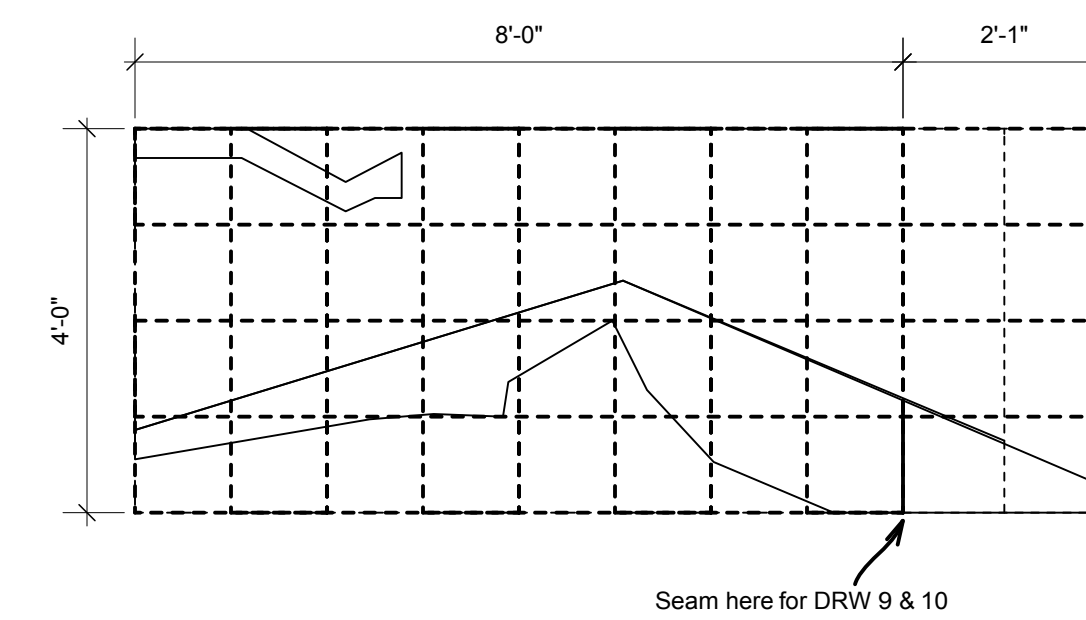
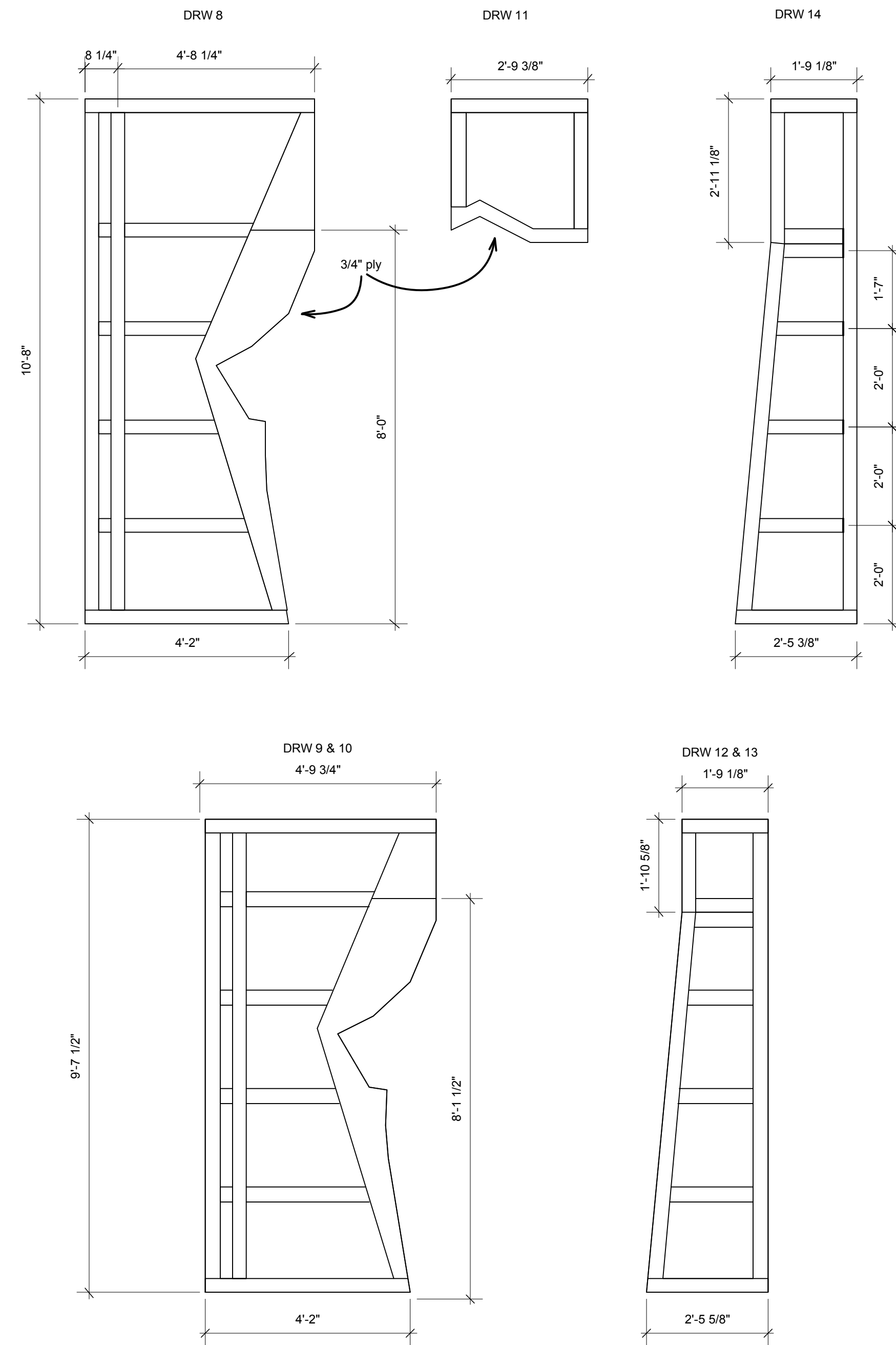
**Upstairs Walls- Top View with cut angles**



**Upstairs Walls- Front View**



**Downstairs Rock Wall- Units DRW 8-14**



Seam here for DRW 9 & 10

**Twelfth Night**

**Kentucky Shakes**

Title: Upstairs Rock Walls

Director: Brantley Dunaway Designer: Jeff Kmiec

Prepared by: Will Griffith 502-314-8722 Date: 5/5/13

Scale: 1/2"=1' or as noted Plate: 16

Notes: of 18